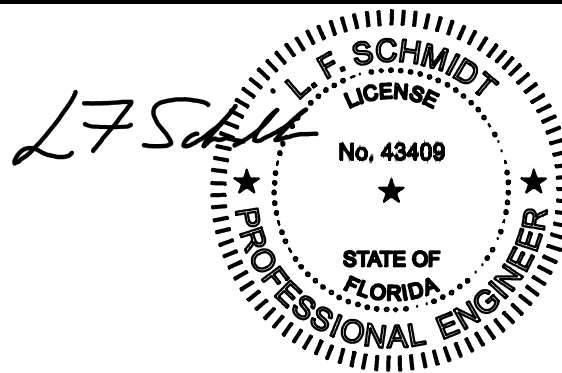


"Teak" GLAZED FIBERGLASS DOOR w/ or w/out SIDELITE(S) "NON-IMPACT" INSWING / OUTSWING



This item has been digitally signed and sealed by L. F. Schmidt, P.E. on the date adjacent to the seal. Printed copies of this document are not considered signed and sealed and the signature must be verified on any electronic copies.

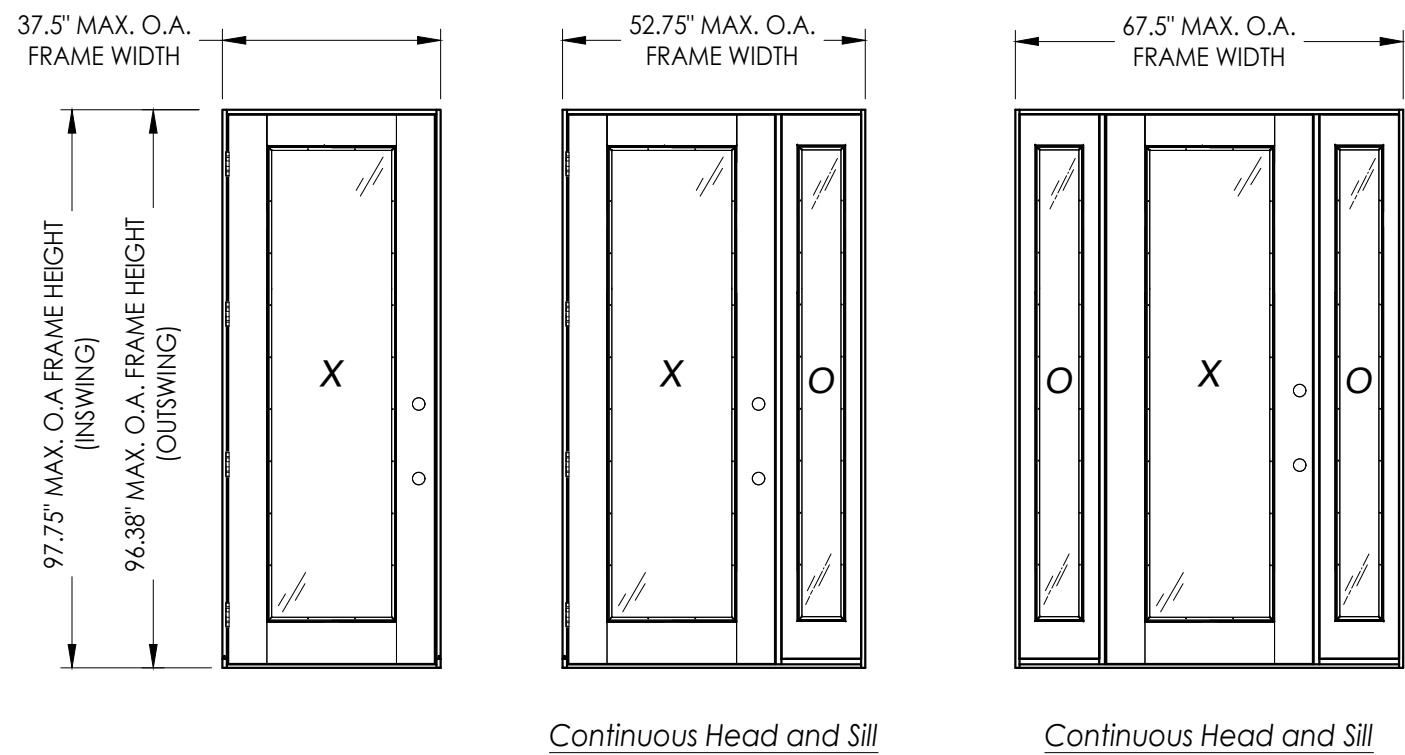
THIS PRODUCT APPROVAL IS VALID ONLY FOR THE STATE OF FLORIDA

Documents Prepared By:
Lyndon F. Schmidt
P.E. No. 43409

RW BUILDING CONSULTANTS, INC.
P.O. Box 230, Vairico, FL 33595
Phone No.: 813.659.9197
FBPE Registry No. 9813

GENERAL NOTES

- This product has been evaluated and is in compliance with the 8th Edition (2023) Florida Building Code (FBC) structural requirements excluding the "High Velocity Hurricane Zone" (HVHZ).
- Product anchors shall be as listed and spaced as shown on details. Anchor embedment to base material shall be beyond wall dressing or stucco.
- When used in areas requiring wind borne debris protection, this product is required to be protected with an impact resistant covering that complies with FBC Sections 1609.1.2 & R301.2.1.2.
- For 2x stud framing construction, anchoring of these units shall be the same as that shown for 2x buck masonry construction.
- Site conditions that deviate from the details of this drawing require further engineering analysis by a licensed engineer or registered architect.



CONFIGURATION	FRAME MATERIAL	DESIGN PRESSURE (PSF) INSWING		DESIGN PRESSURE (PSF) OUTSWING	
		POSITIVE	NEGATIVE	POSITIVE	NEGATIVE
X, OX, XO, OXO	FJ PINE	+45.0	-55.0	+50.0	-50.0
X, OX, XO, OXO	COMPOSITE	+45.0	-55.0	+50.0	-50.0

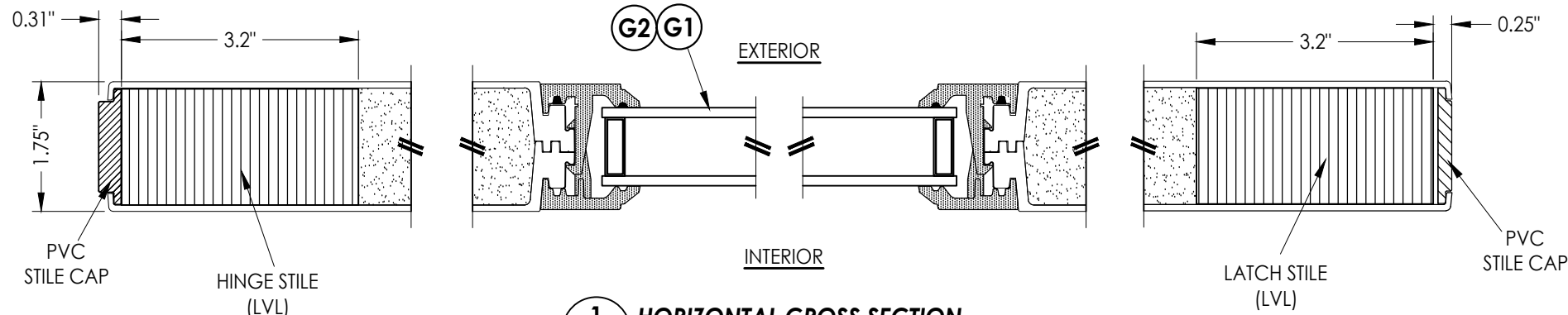
TABLE OF CONTENTS	
SHEET#	DESCRIPTION
1	Typical elevations, design pressures & general notes
2	Door panel details
3	Sidelite panel details
4	Elevations
5	Horizontal & vertical cross sections (2X buck)
6	Horizontal & vertical cross sections (1X buck)
7	Horizontal & vertical cross sections (Direct to Masonry)
8	Horizontal cross sections
9	Vertical cross sections
10	Buck anchoring
11	Frame anchoring
12	Components
13	Bill of materials

PRODUCT: TRINITY GLASS INT'L

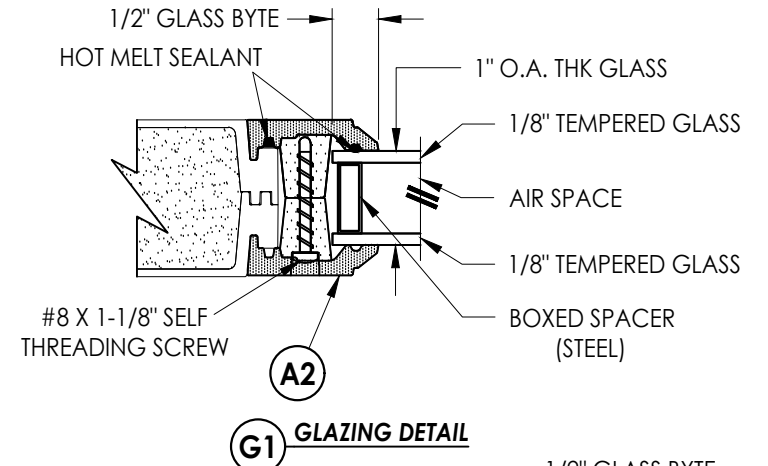
PART OR ASSEMBLY: TYPICAL ELEVATION, DESIGN PRESSURES & GENERAL NOTES

NO.	DATE	BY	REVISIONS
2	8/01/23	LFS	UPDATE TO 8TH ED. (2023) FBC
1	8/11/20	DAC	UPDATE TO 7th ED. (2020) FBC

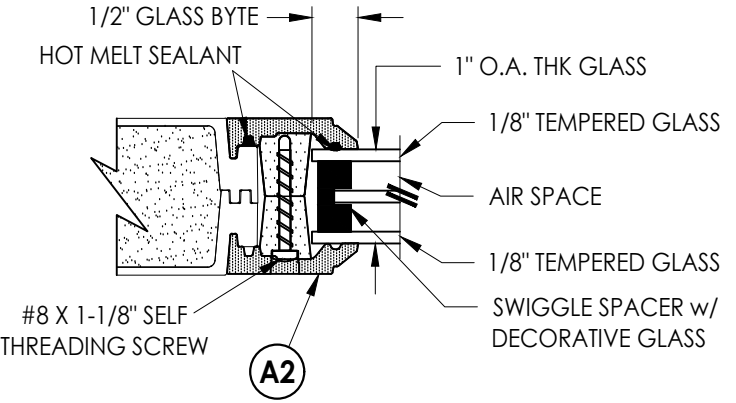
DATE: 2/05/20
SCALE: N.T.S.
DWG. BY: TRJ
CHK. BY: LFS
DRAWING NO.: FL-25575.10
SHEET 1 OF 13



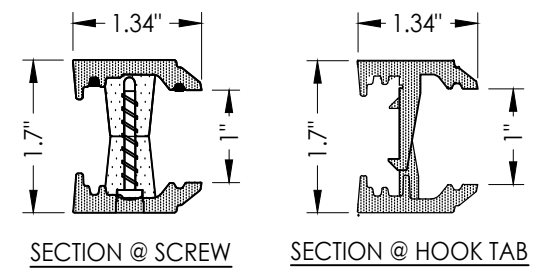
1
2 **HORIZONTAL CROSS SECTION**



G1 **GLAZING DETAIL**

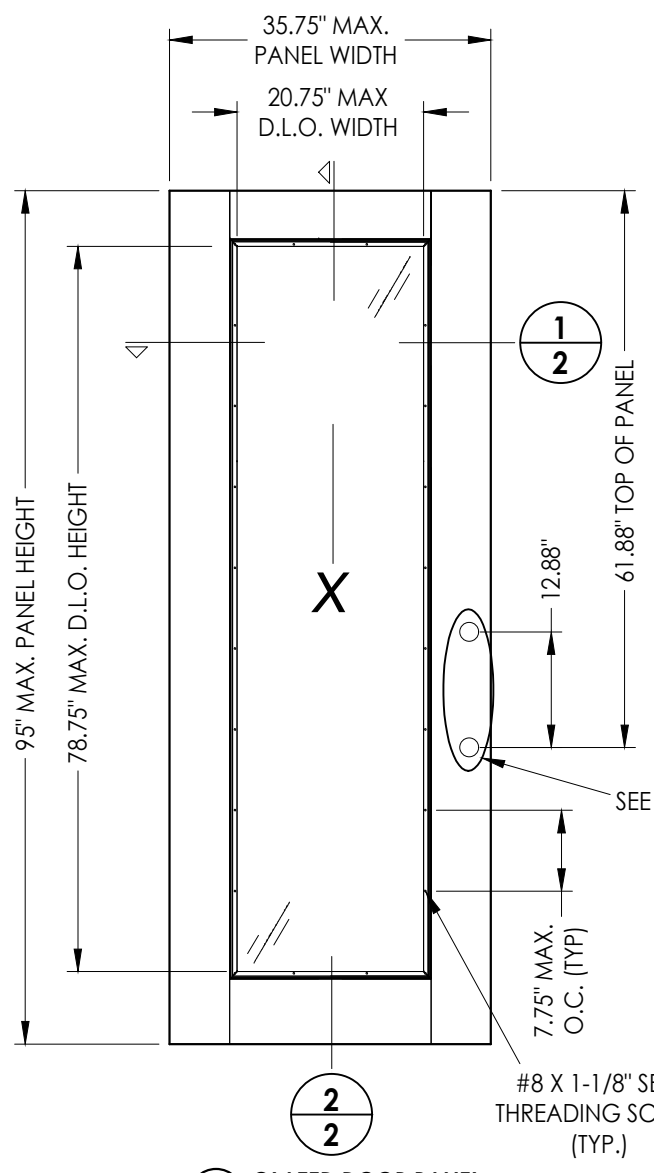


G2 **GLAZING DETAIL**
DECORATIVE GLASS



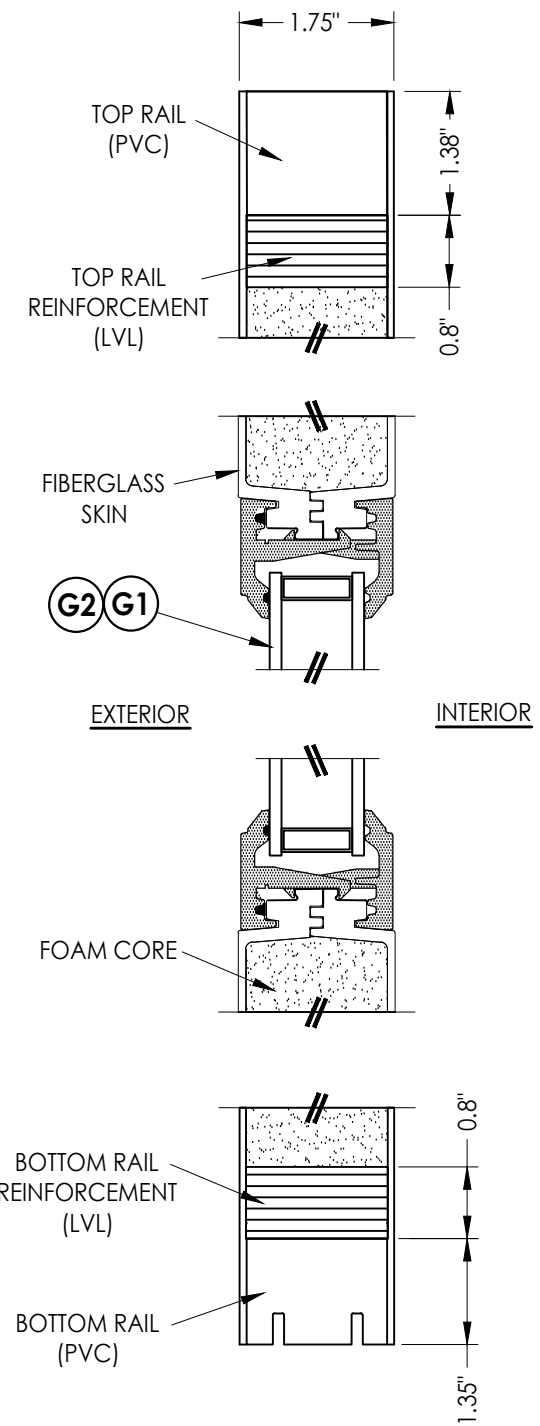
A2 **FLUSH GLAZING FRAME**
FIBERGLASS

HARDWARE CHART	
MANUFACTURER	MODEL
KWIKSET	KNOB: SIGNATURE SERIES DEADBOLT: SIGNATURE SERIES (980)
SCHLAGE	KNOB: F SERIES DEADBOLT: B60 SERIES



40 **GLAZED DOOR PANEL**
TEAK

DOOR SKIN: 0.079" MIN. THK. FIBERGLASS
CORE MATERIAL: POLYURETHANE FOAM



2
2 **VERTICAL CROSS SECTION**

Documents Prepared By:
Lyndon F. Schmidt
P.E. No. 43409

RW BUILDING CONSULTANTS, INC.
P.O. Box 230, Vairico, FL 33595
Phone No.: 813.659.9197
FBPE Registry No. 9813

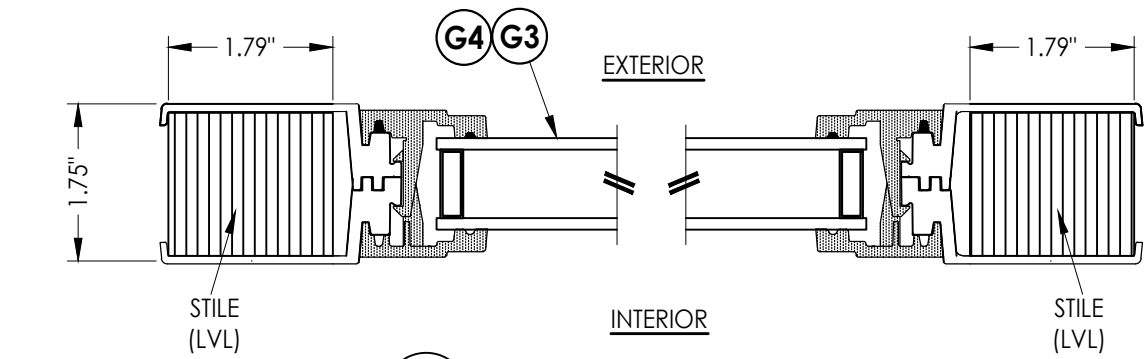
PRODUCT: TRINITY GLASS INT'L

PART OR ASSEMBLY:
DOOR PANEL DETAILS

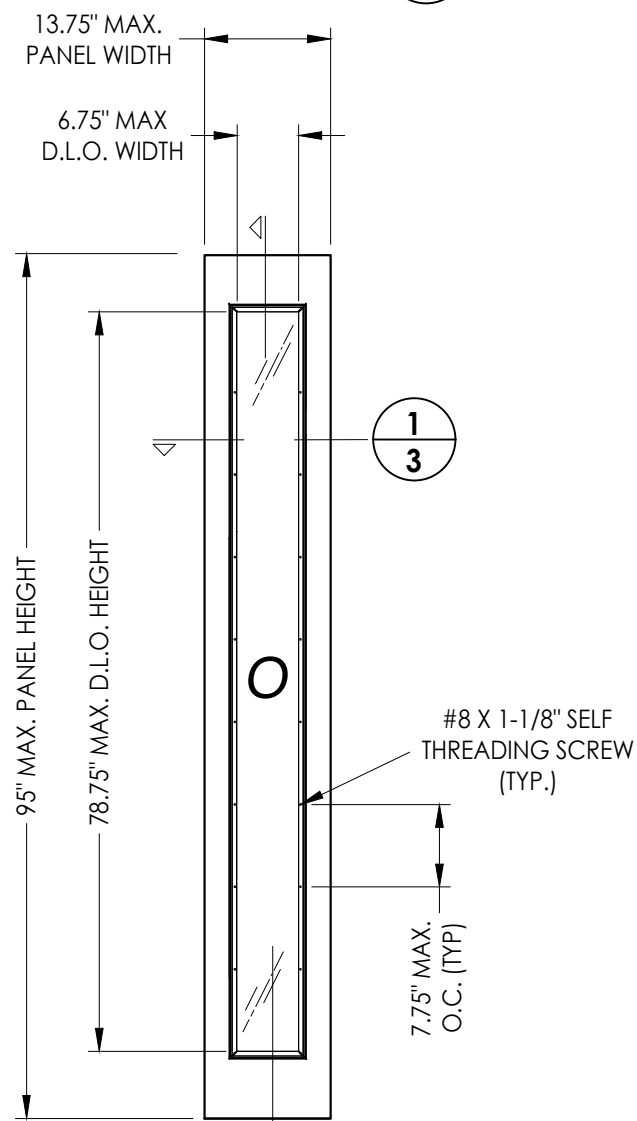
NO.	DATE	REVISIONS	
		BY	DATE
2	8/01/23	UPDATE TO 8TH ED. (2023)	FBC
1	8/11/20	UPDATE TO 7TH ED. (2020)	FBC

DATE:	2/05/20
SCALE:	N.T.S.
DWG. BY:	TRJ
CHK. BY:	LFS
DRAWING NO.:	FL-25575.10
SHEET	2 of 13

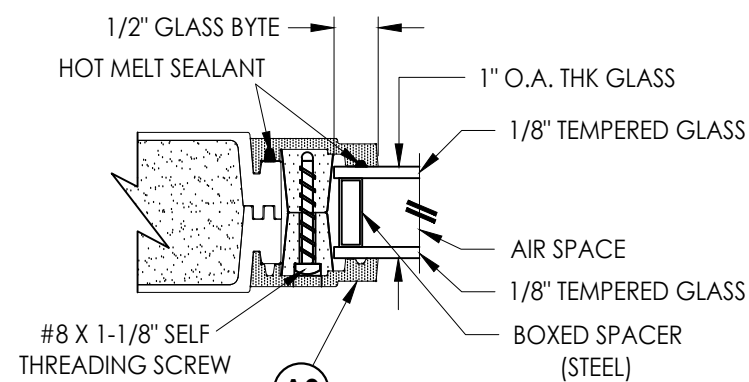
Z:\2023 FBC Drawings\Trinity Glass Int\VL-25575 R5VL-25575.10.dwg



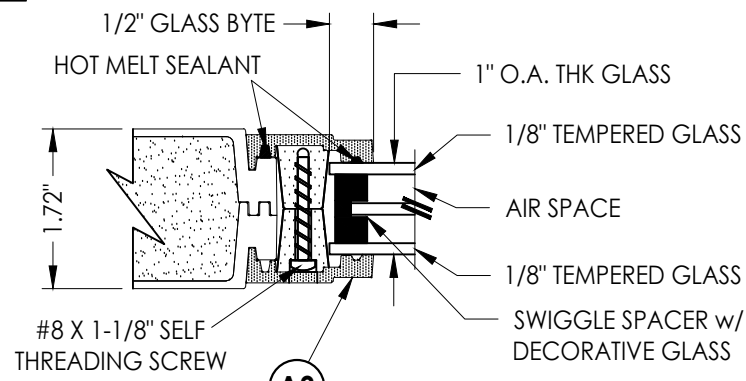
1
3 HORIZONTAL CROSS SECTION



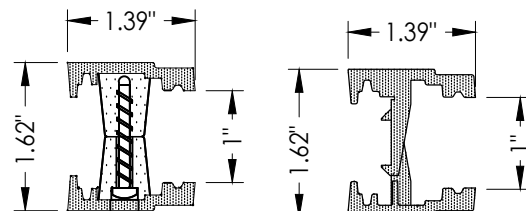
50 SIDELITE PANEL
TEAK



A3 GLAZING DETAIL

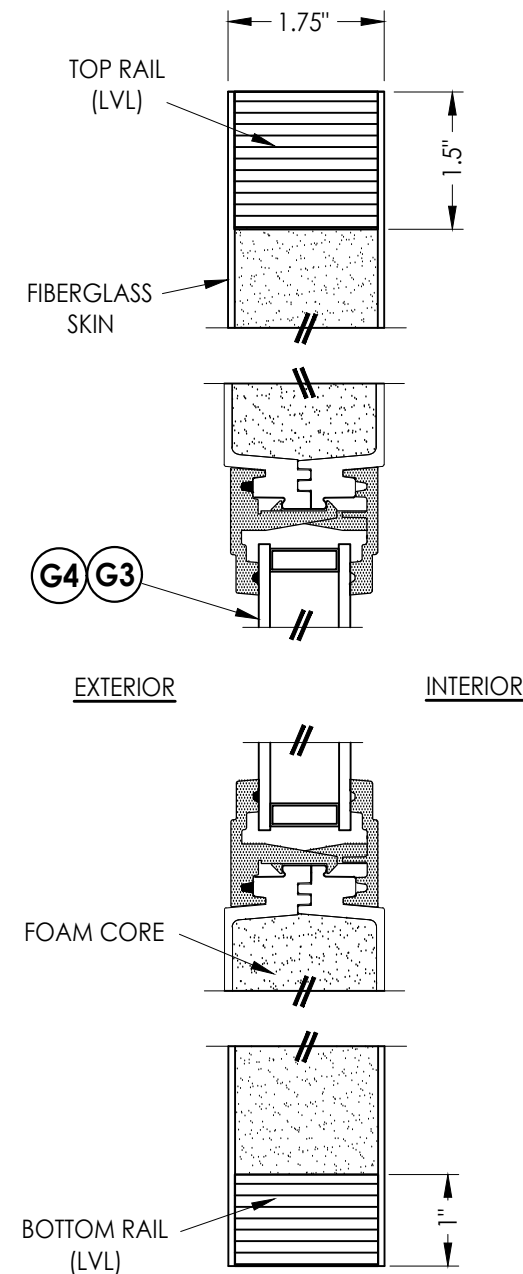


G4 GLAZING DETAIL
DECORATIVE GLASS



SECTION @ SCREW SECTION @ HOOK TAB

A3 FLUSH GLAZING FRAME
FIBERGLASS



2
3 VERTICAL CROSS SECTION

DOOR SKIN: 0.079" MIN. THK. FIBERGLASS
CORE MATERIAL: POLYURETHANE FOAM

Documents Prepared By:
Lyndon F. Schmidt
P.E. No. 4-3409

RW BUILDING CONSULTANTS, INC.
P.O. Box 230, Valrico, FL 33595
Phone No.: 813.659.9197
FBPE Registry No. 9813

PRODUCT: TRINITY GLASS INT'L

PART OR ASSEMBLY:
SIDELITE PANEL DETAILS

NO.	DATE	BY	REVISIONS
2	8/01/23	LFS	UPDATE TO 8TH ED. (2023) FBC
1	8/11/20	DAC	UPDATE TO 7th ED. (2020) FBC

DATE: 2/05/20

SCALE: N.T.S.

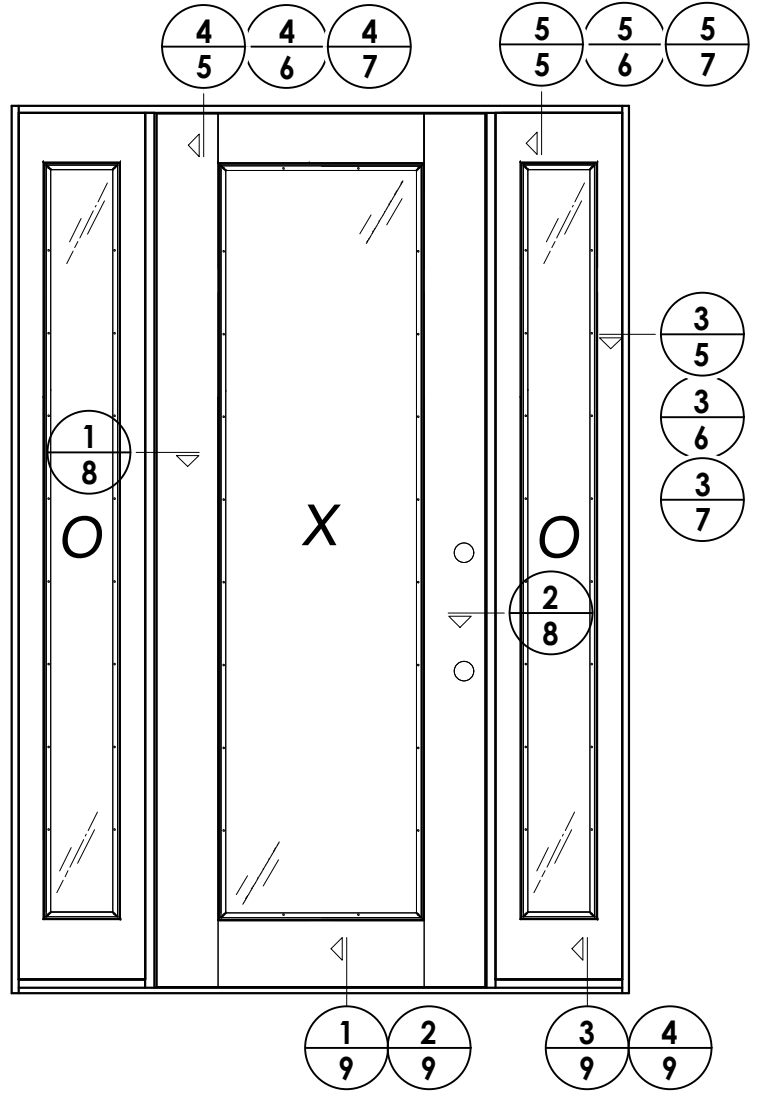
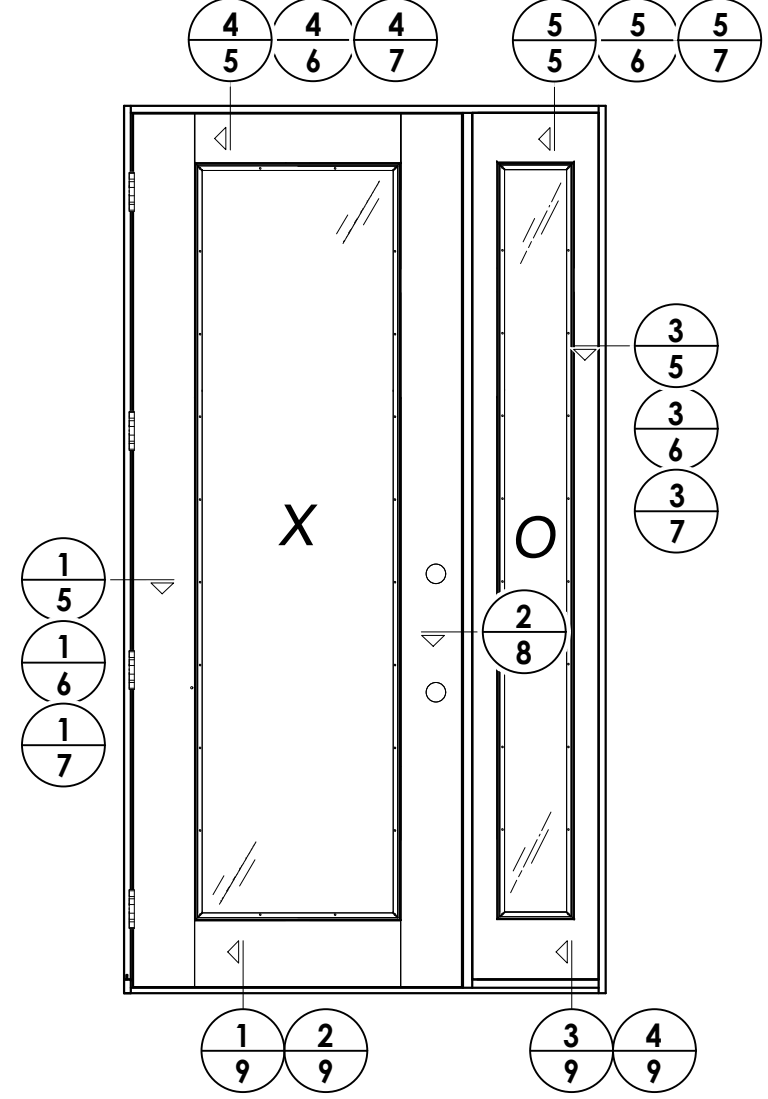
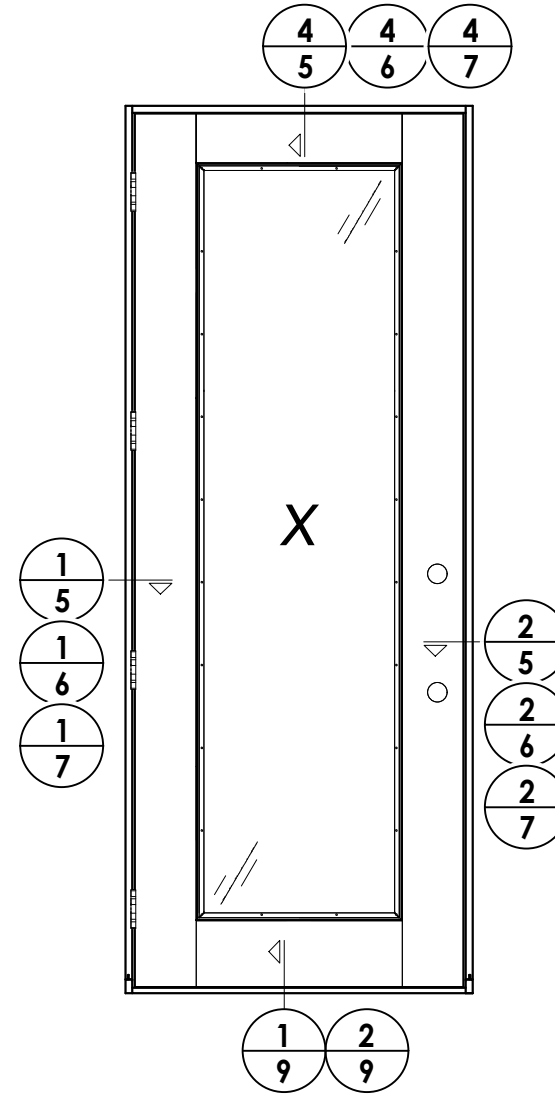
DWG. BY: TRJ


CHK. BY: LFS

DRAWING NO.:
FL-25575.10

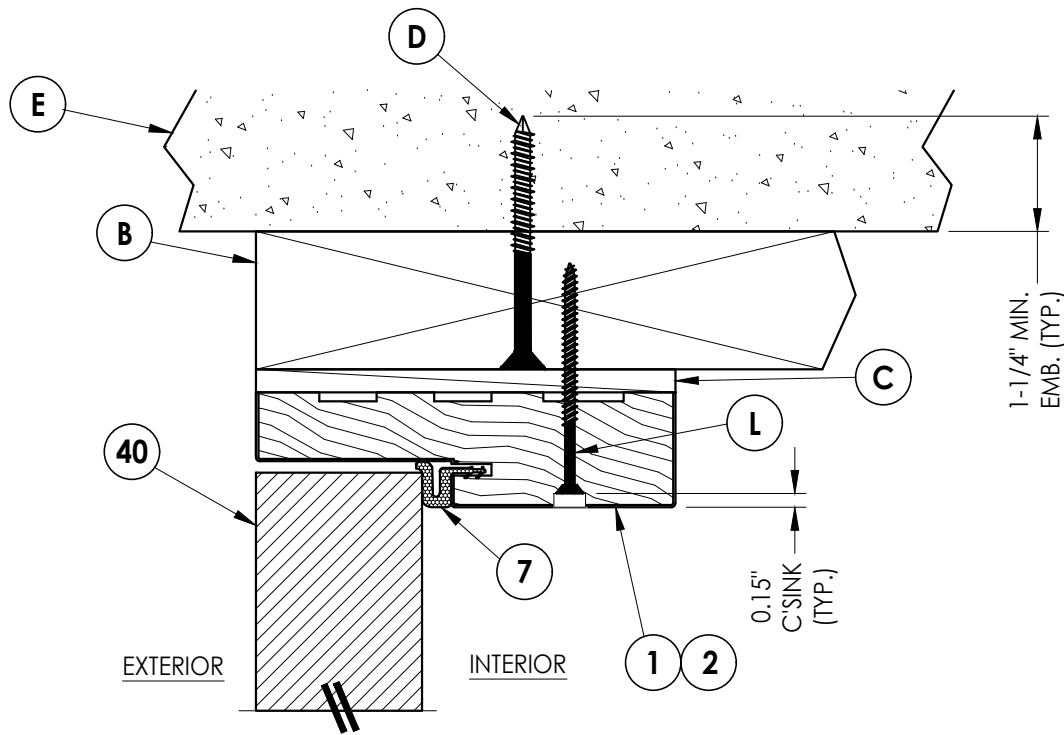
SHEET 3 OF 13

© 2020 R.W. BUILDING CONSULTANTS INC.

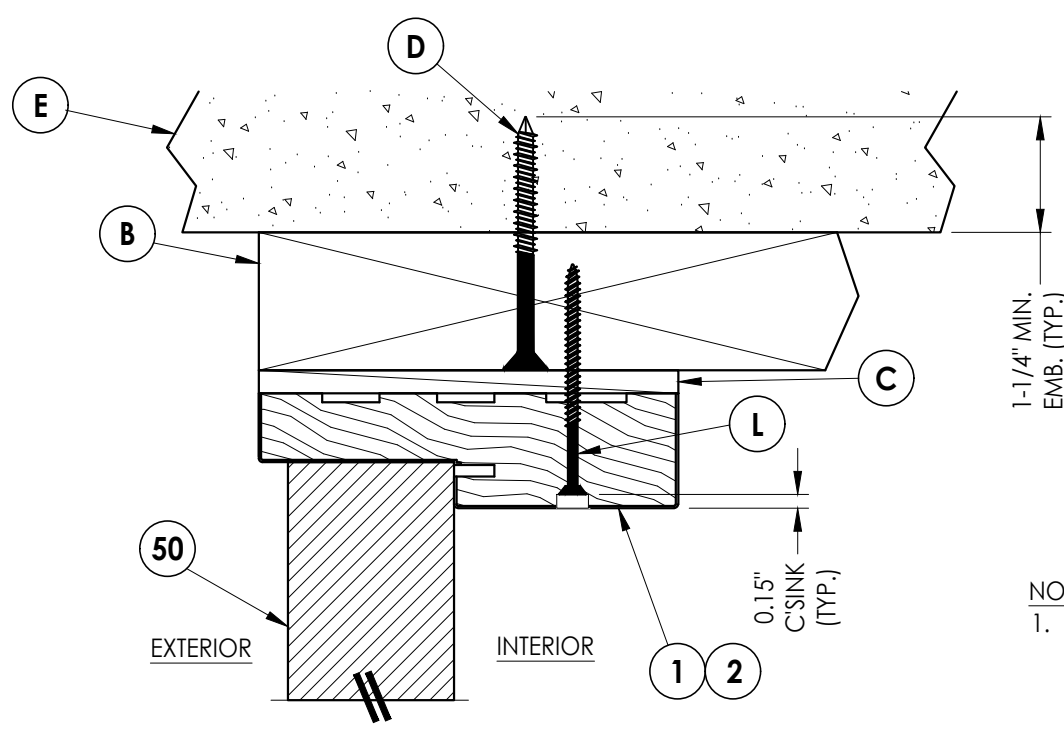


DATE: 2/05/20		PRODUCT: TRINITY GLASS INT'L		Documents Prepared By: Lyndon F. Schmidt P.E. No. 43409	
SCALE: N.T.S.		PART OR ASSEMBLY: ELEVATIONS		 BUILDING CONSULTANTS, INC. P.O. Box 230, Valrico, FL 33595 Phone No.: 813.659.9197 FBPE Registry No. 9813	
DWG. BY: TRJ		REVISIONS			
CHK. BY: LFS		NO.		DATE	
DRAWING NO.:		2		8/01/23	
FL-25575.10		1		8/11/20	
SHEET 4 OF 13					

Z:\2023 FBC Drawings\Trinity Glass Int\FL-25575 R5FL-25575.10.dwg

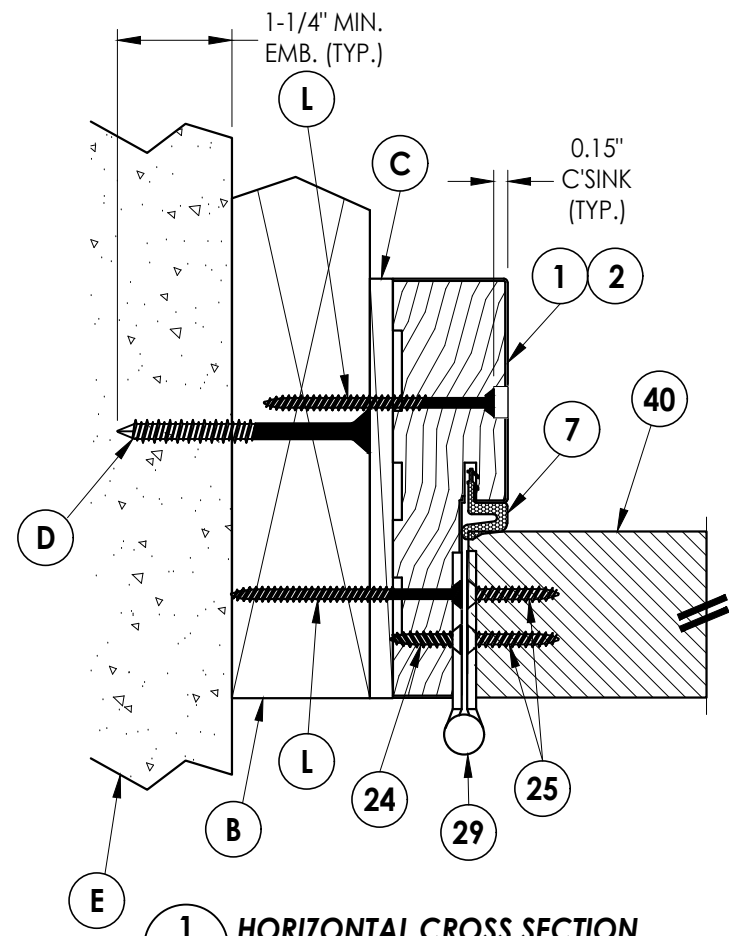


4 VERTICAL CROSS SECTION
5 Outswing shown - Inswing also approved

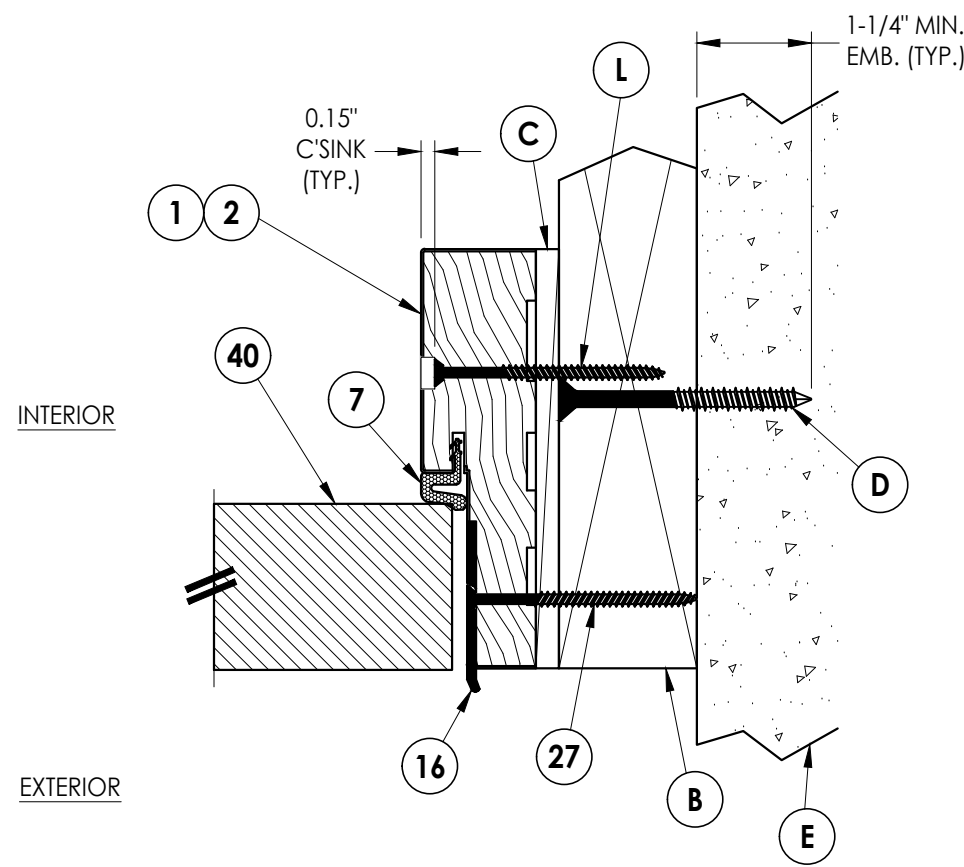


5 VERTICAL CROSS SECTION
5 Outswing shown - Inswing also approved

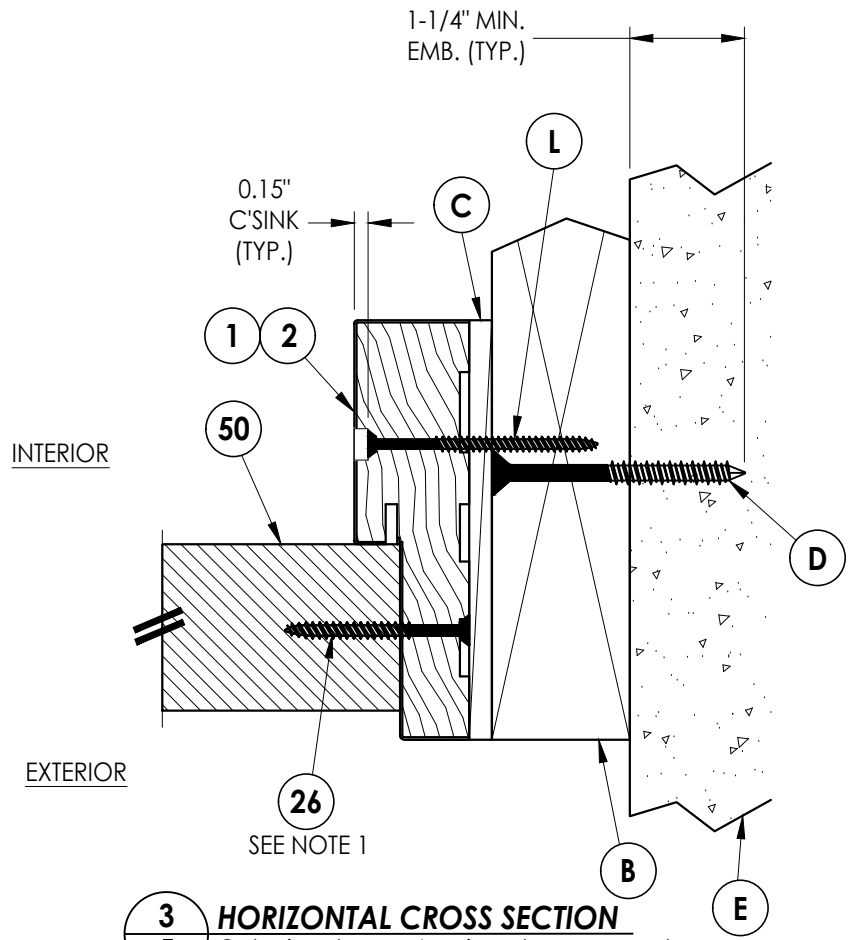
NOTE:
 1. Item #26 located 6" from each end plus 2 more equally spaced (4 total).



1 HORIZONTAL CROSS SECTION
5 Outswing shown - Inswing also approved



2 HORIZONTAL CROSS SECTION
5 Outswing shown - Inswing also approved



3 HORIZONTAL CROSS SECTION
5 Outswing shown - Inswing also approved

Documents Prepared By:
 Lyndon F. Schmidt
 P.E. No. 43409

RW BUILDING CONSULTANTS, INC.
 P.O. Box 230, Vairico, FL 33595
 Phone No.: 813.659.9197
 FBPE Registry No. 9813

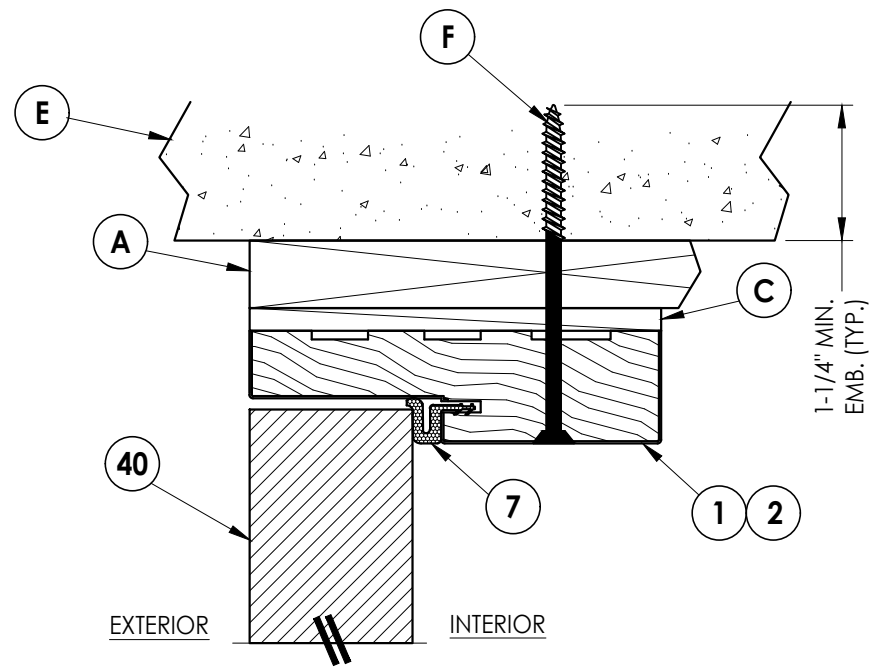
PRODUCT: TRINITY GLASS INT'L

PART OR ASSEMBLY:
 HORIZONTAL & VERTICAL
 CROSS SECTIONS (2X BUCK)

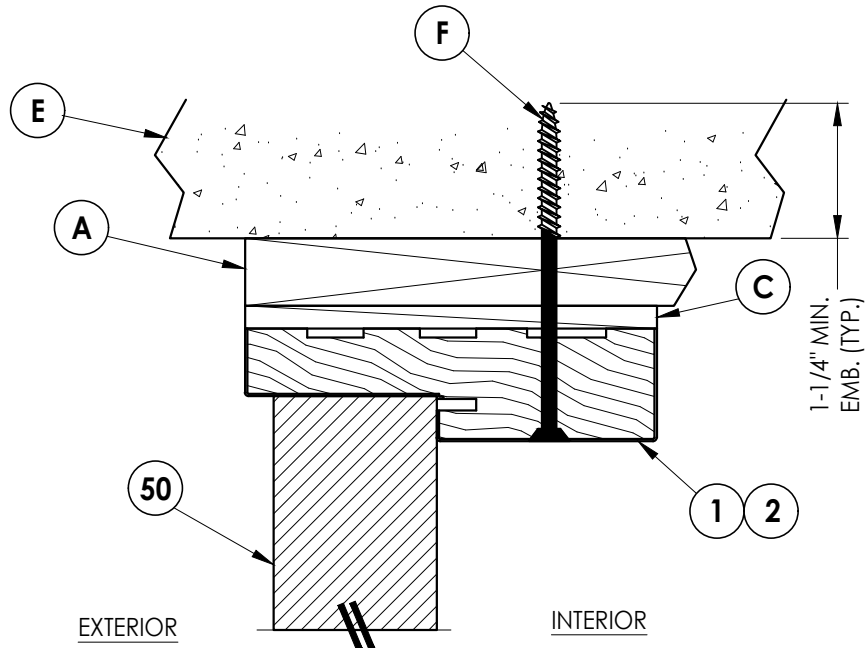
NO.	DATE	REVISIONS
2	8/01/23	UPDATE TO 8TH ED. (2023) FBC LFS
1	8/11/20	UPDATE TO 7th ED. (2020) FBC DAC
		BY

DATE: 2/05/20
 SCALE: N.T.S.
 DWG. BY: TRJ
 CHK. BY: LFS
 DRAWING NO.: FL-25575.10
 SHEET 5 OF 13

© 2020 R.W. BUILDING CONSULTANTS INC.

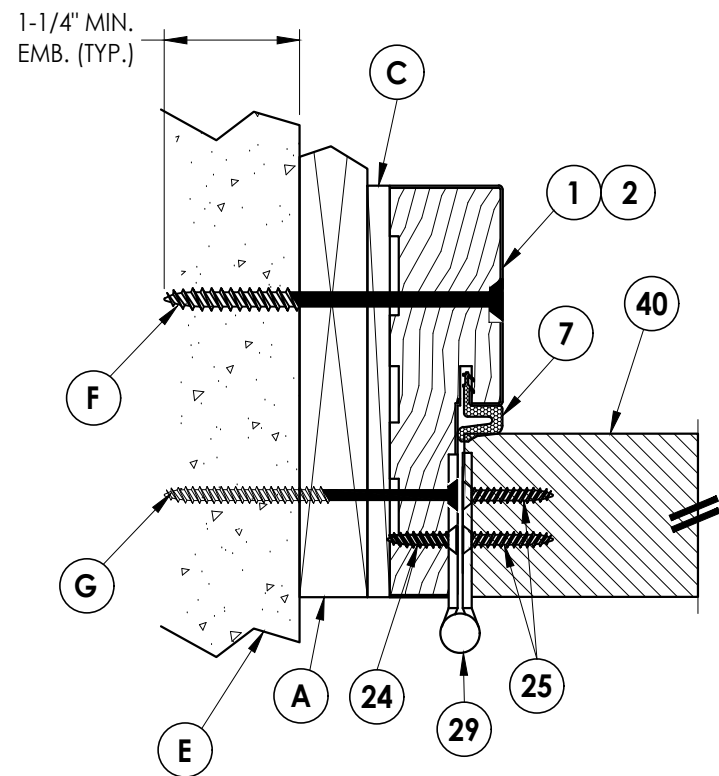


4 VERTICAL CROSS SECTION
6 Outwing shown - Inswing also approved

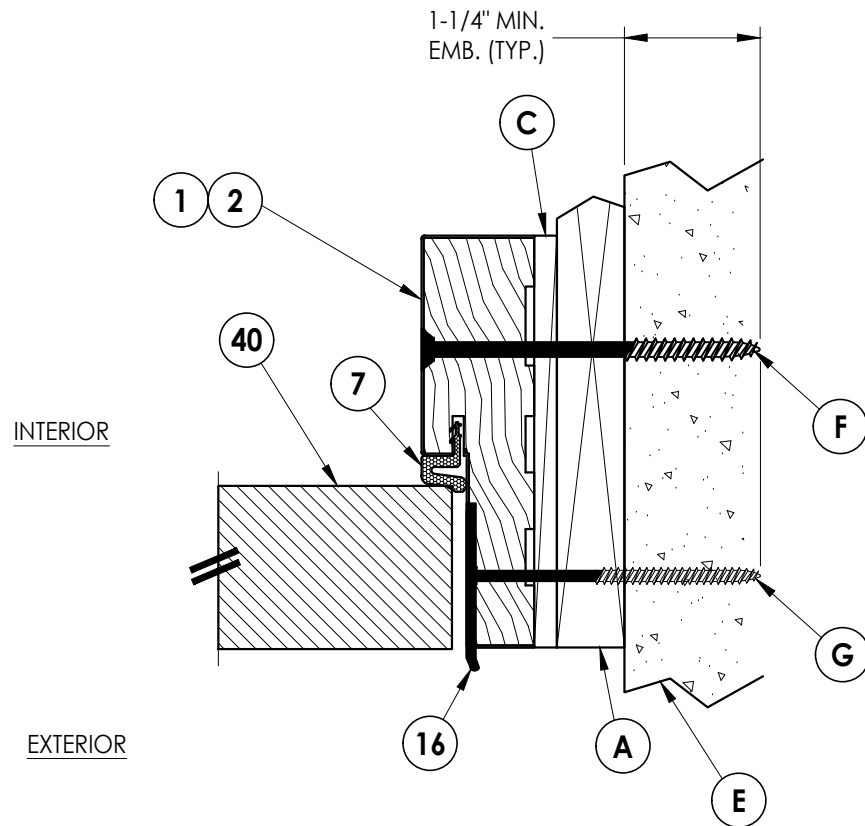


5 VERTICAL CROSS SECTION
6 Outwing shown - Inswing also approved

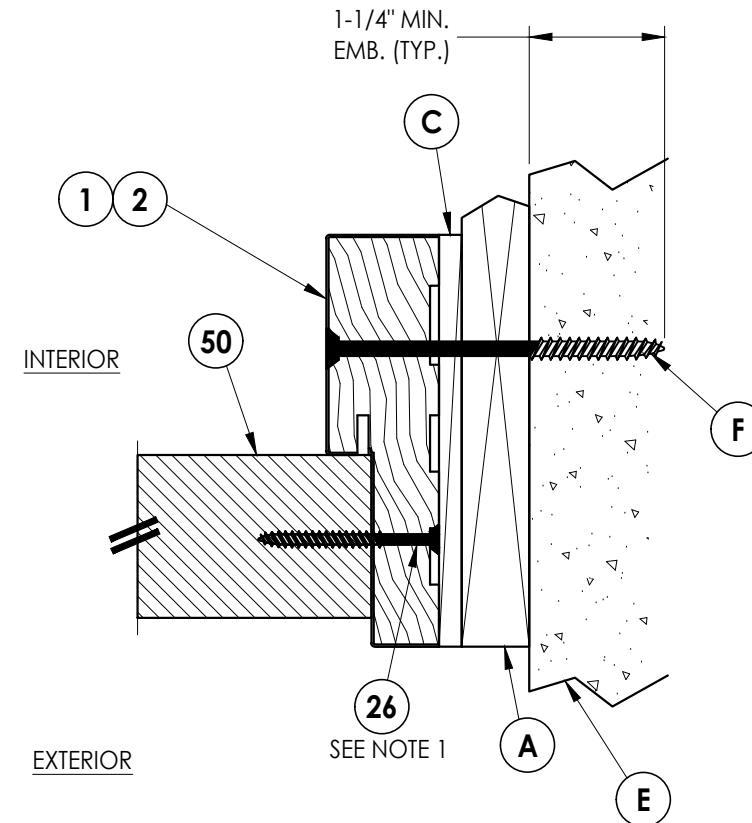
NOTE:
 1. Item #26 located 6" from each end plus 2 more equally spaced (4 total).



1 HORIZONTAL CROSS SECTION
6 Outwing shown - Inswing also approved



2 HORIZONTAL CROSS SECTION
6 Outwing shown - Inswing also approved



3 HORIZONTAL CROSS SECTION
6 Outwing shown - Inswing also approved

Documents Prepared By:
 Lyndon F. Schmidt
 P.E. No. 43409

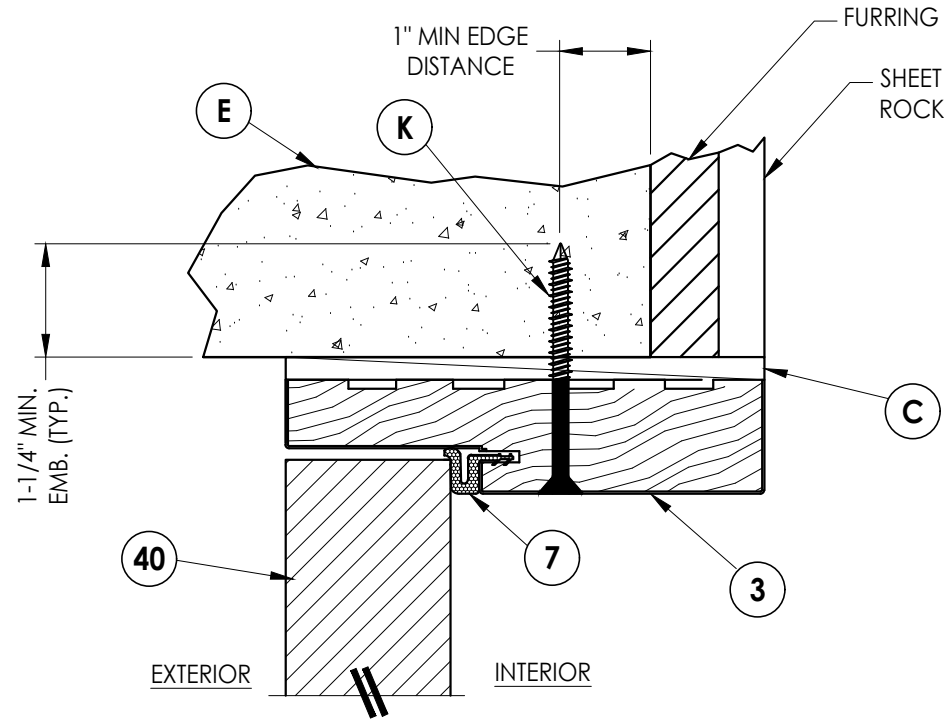
RW BUILDING CONSULTANTS, INC.
 P.O. Box 230, Valrico, FL 35595
 Phone No.: 813.659.9197
 FBPE Registry No. 9813

PRODUCT: TRINITY GLASS INT'L

PART OR ASSEMBLY:
 HORIZONTAL & VERTICAL
 CROSS SECTIONS (1X BUCK)

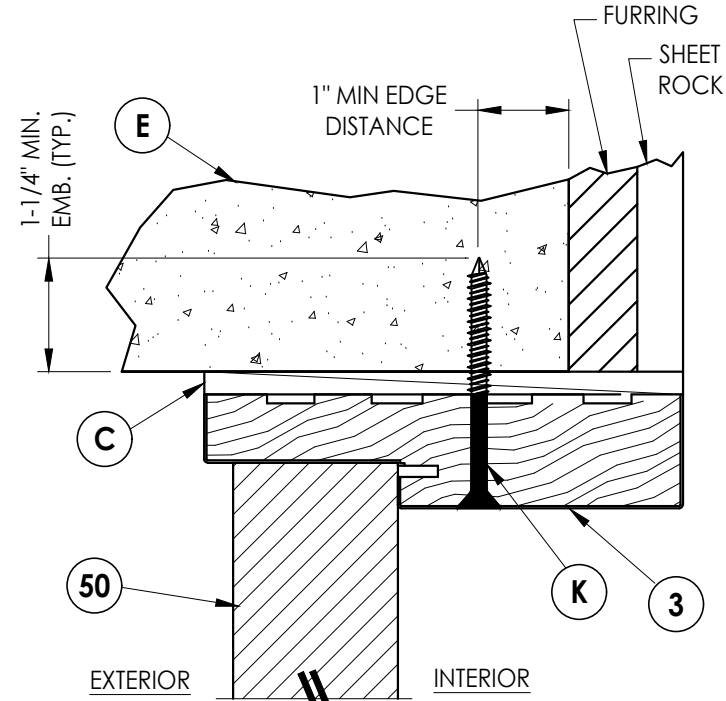
NO.	DATE	BY	REVISIONS
2	8/01/23	LFS	UPDATE TO 8TH ED. (2023) FBC
1	8/11/20	DAC	UPDATE TO 7th ED. (2020) FBC

DATE: 2/05/20
 SCALE: N.T.S.
 DWG. BY: TRJ
 CHK. BY: LFS
 DRAWING NO.: FL-25575.10
 SHEET 6 OF 13

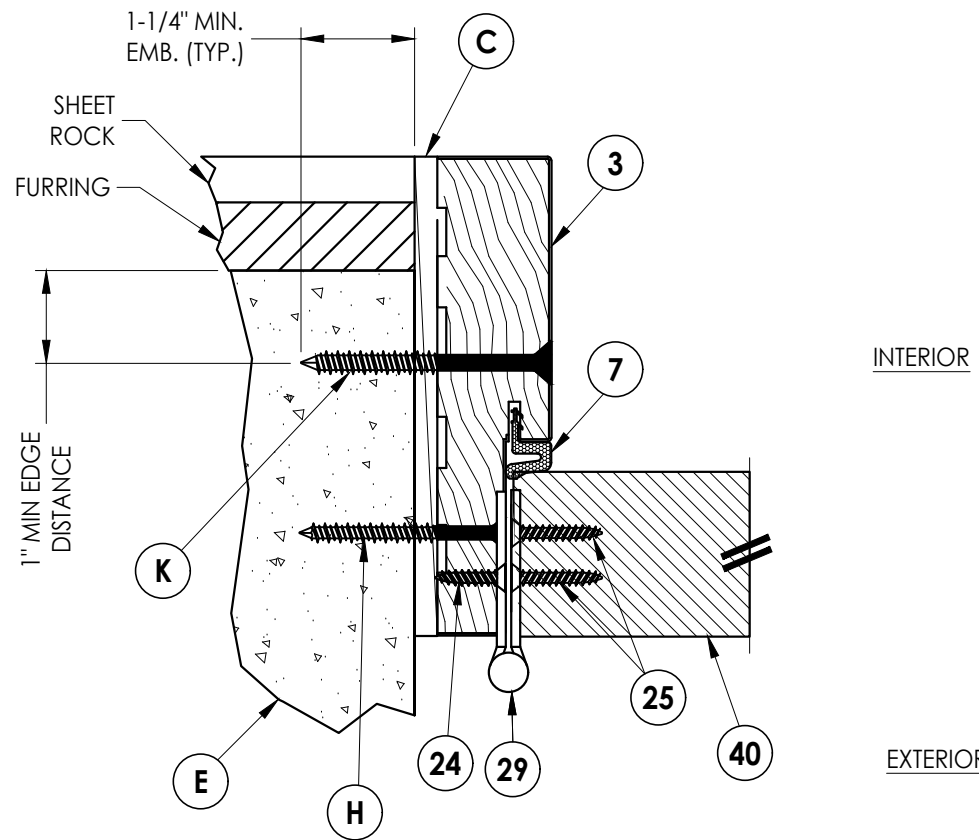


4 VERTICAL CROSS SECTION
7 Outswing only

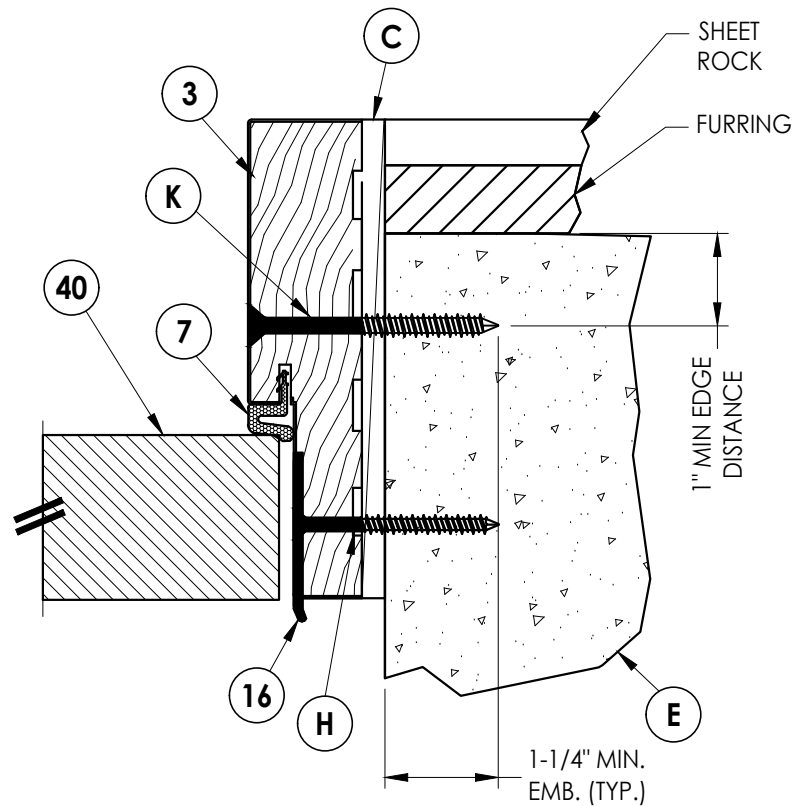
NOTE:
1. Item #26 located 6" from each end plus 2 more equally spaced (4 total).



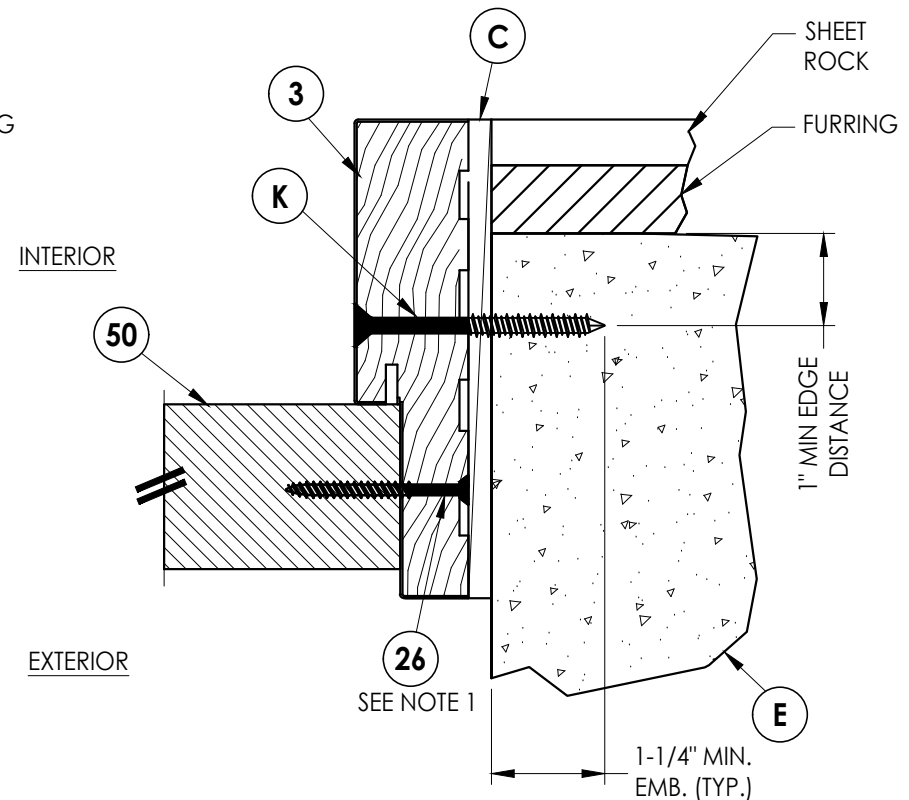
5 VERTICAL CROSS SECTION
7 Outswing only



1 HORIZONTAL CROSS SECTION
7 Outswing only



2 HORIZONTAL CROSS SECTION
7 Outswing only



3 HORIZONTAL CROSS SECTION
7 Outswing only

Documents Prepared By:
Lyndon F. Schmidt
P.E. No. 43409

RW BUILDING CONSULTANTS, INC.
P.O. Box 230, Valrico, FL 33595
Phone No.: 813.659.9197
FBPE Registry No. 9813

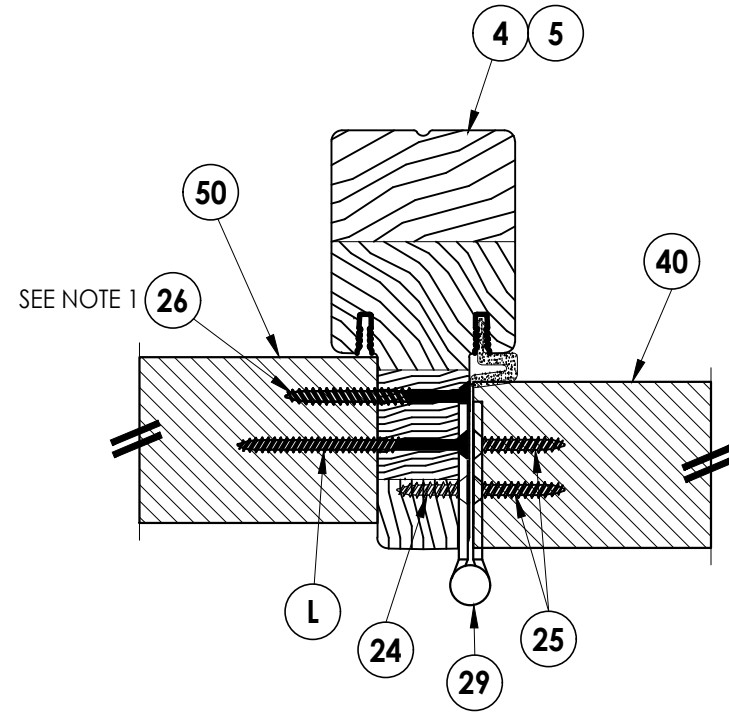
PRODUCT: TRINITY GLASS INT'L
PART OR ASSEMBLY:
HORIZONTAL & VERTICAL CROSS SECTIONS (DIRECT TO MASONRY)

NO.	DATE	BY	REVISIONS
2	8/01/23	LFS	UPDATE TO 8TH ED. (2023) FBC
1	8/11/20	DAC	UPDATE TO 7th ED. (2020) FBC

DATE: 2/05/20
SCALE: N.T.S.
DWG. BY: TRJ
CHK. BY: LFS
DRAWING NO.: FL-25575.10
SHEET 7 OF 13

NOTE:

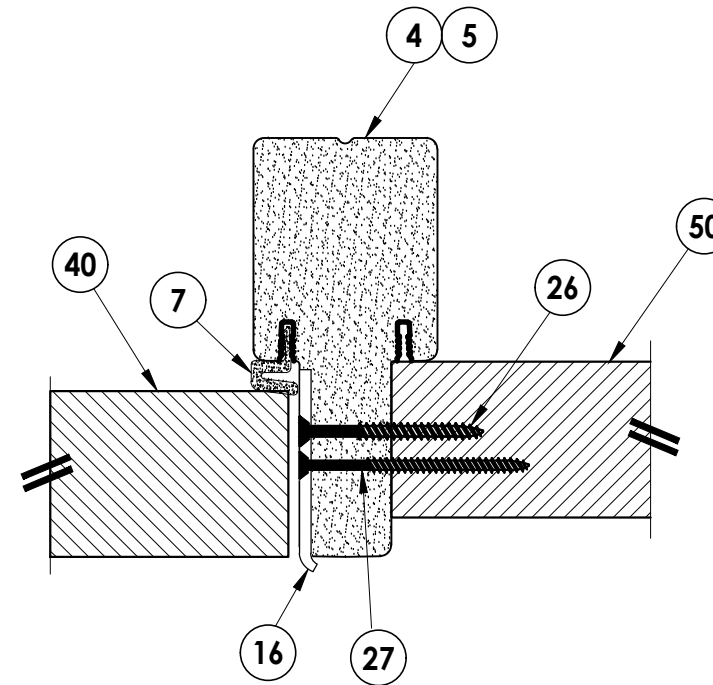
- Item #26 located 6" from each end plus 2 more equally spaced (4 total).



1 HORIZONTAL CROSS SECTION
8 Outswing shown - Inswing also approved

INTERIOR

EXTERIOR



2 HORIZONTAL CROSS SECTION
8 Outswing shown - Inswing also approved

Documents Prepared By:
 Lyndon F. Schmidt
 P.E. No. 43409

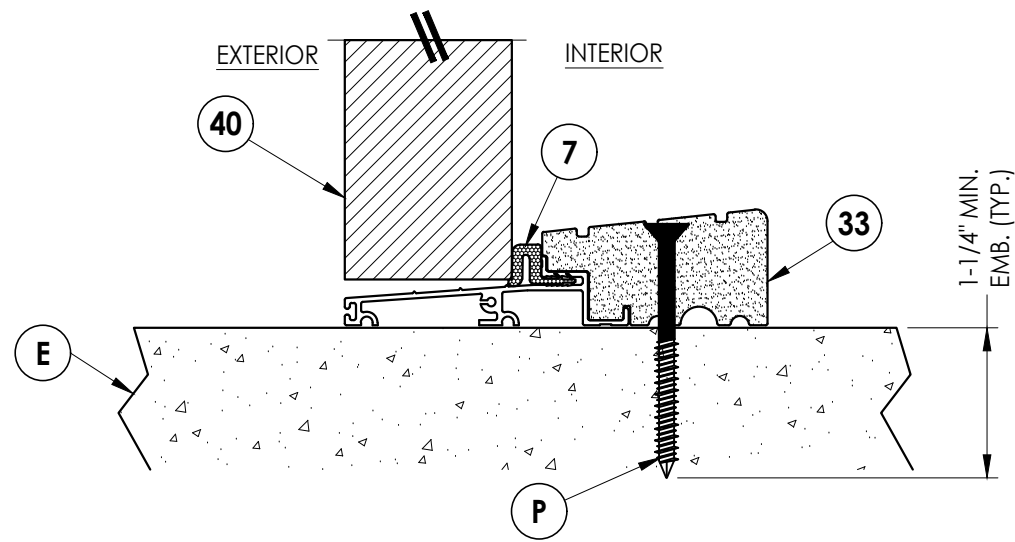
RW BUILDING CONSULTANTS, INC.
 P.O. Box 230, Valrico, FL 33595
 Phone No.: 813.659.9197
 FBPE Registry No. 9813

PRODUCT:
 TRINITY GLASS INT'L

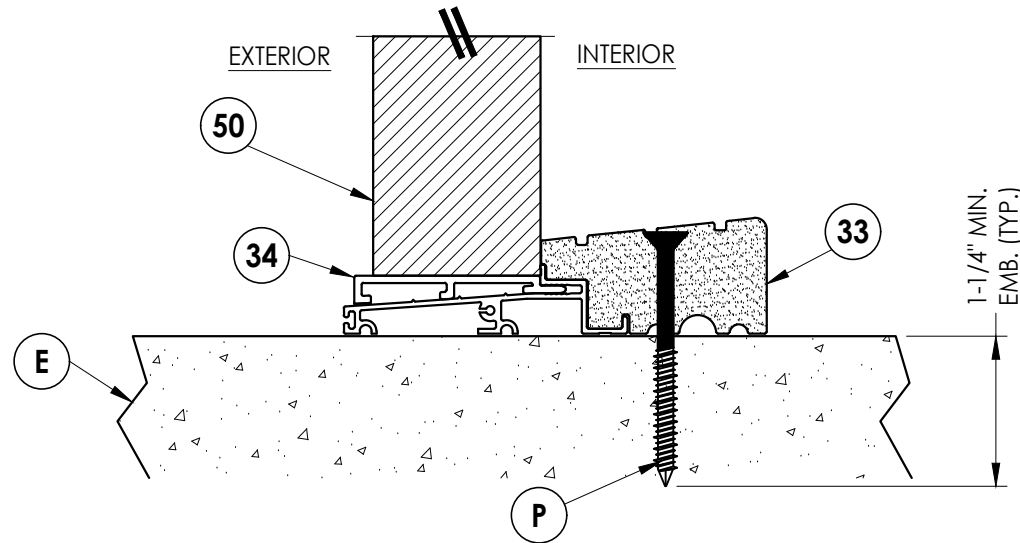
PART OR ASSEMBLY:
 HORIZONTAL CROSS SECTIONS

NO.	DATE	REVISIONS
2	8/01/23	UPDATE TO 8TH ED. (2023) FBC LFS
1	8/11/20	UPDATE TO 7th ED. (2020) FBC DAC
		BY

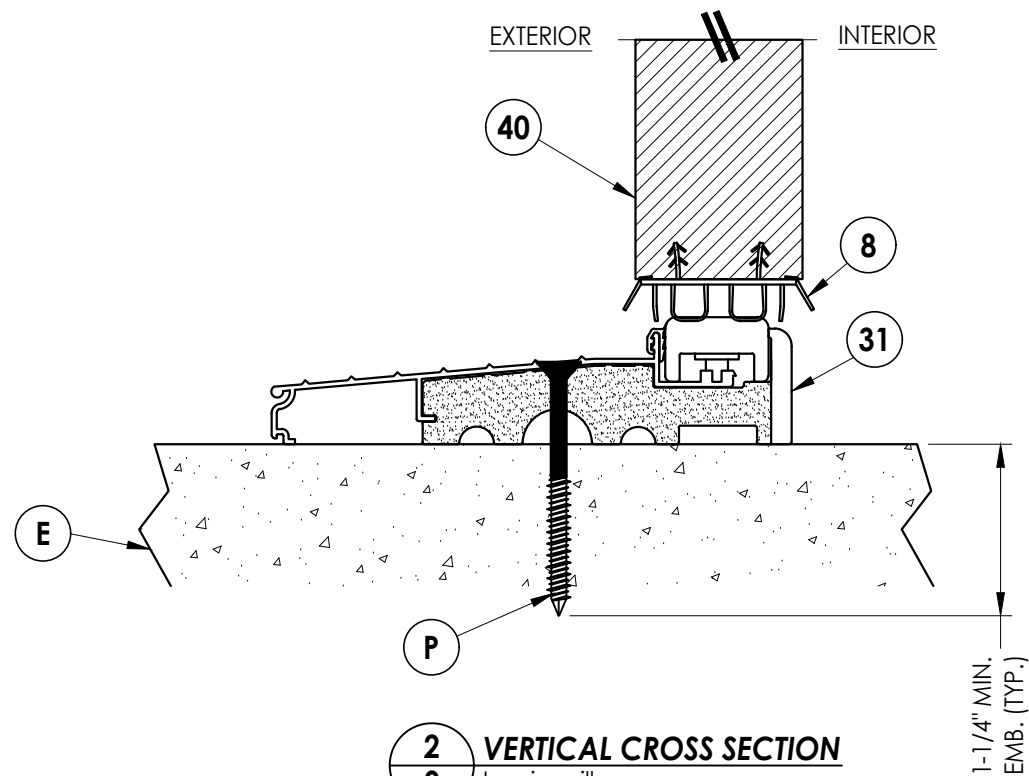
DATE: 2/05/20
 SCALE: N.T.S.
 DWG. BY: TRJ
 CHK. BY: LFS
 DRAWING NO.:
 FL-25575.10
 SHEET 8 of 13



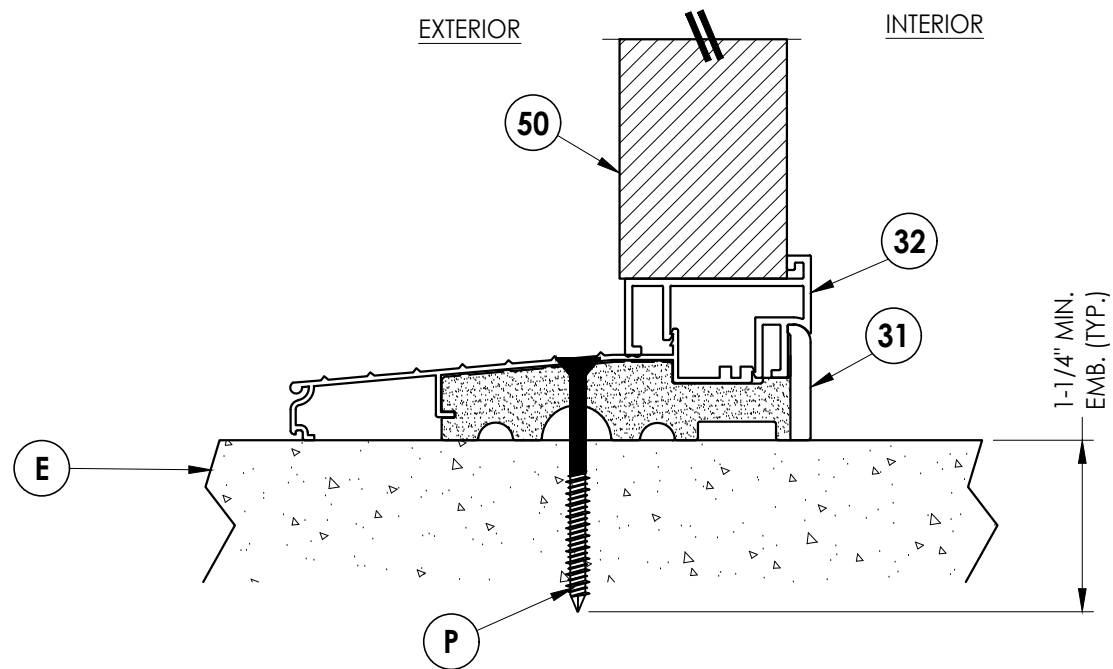
1 VERTICAL CROSS SECTION
9 Outswing sill - high dam



3 VERTICAL CROSS SECTION
9 Outswing sill - high dam



2 VERTICAL CROSS SECTION
9 Inswing sill



4 VERTICAL CROSS SECTION
9 Inswing sill

Documents Prepared By:
Lyndon F. Schmidt
P.E. No. 43409

RW BUILDING CONSULTANTS, INC.
P.O. Box 230, Valrico, FL 33595
Phone No.: 813.659.9197
FBPE Registry No. 9813

PRODUCT: TRINITY GLASS INT'L

PART OR ASSEMBLY:
VERTICAL CROSS SECTIONS

NO.	DATE	BY
2	8/01/23	LFS
1	8/11/20	DAC

REVISIONS

DATE: 2/05/20

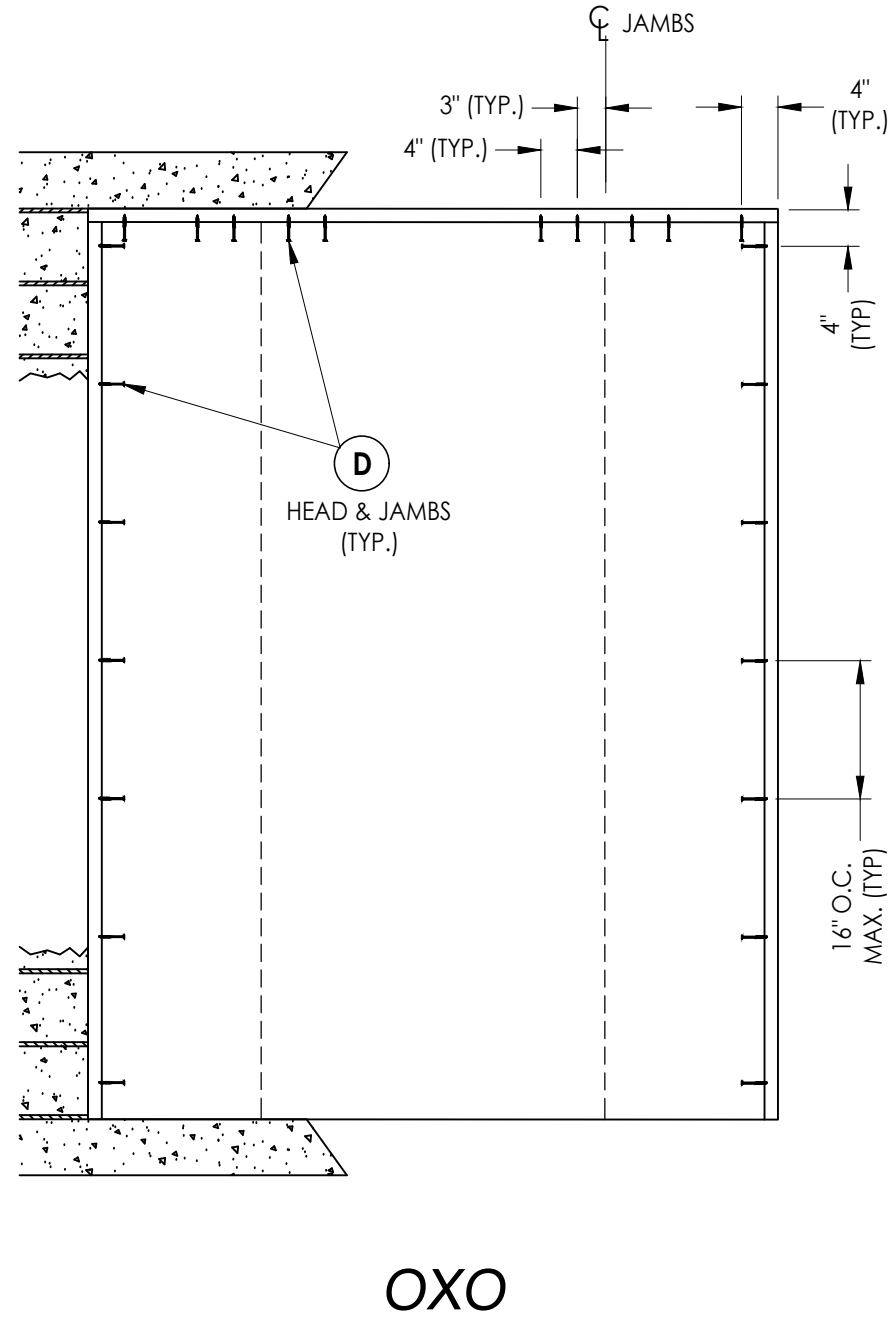
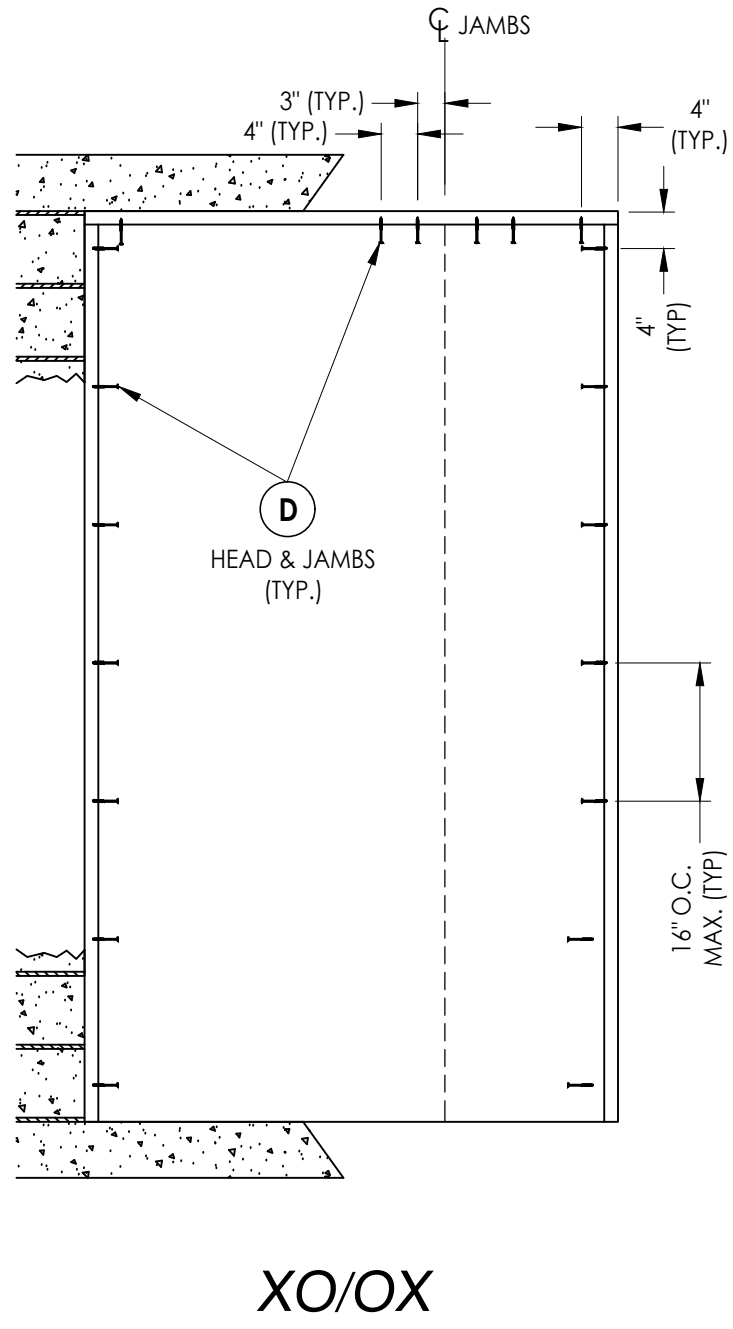
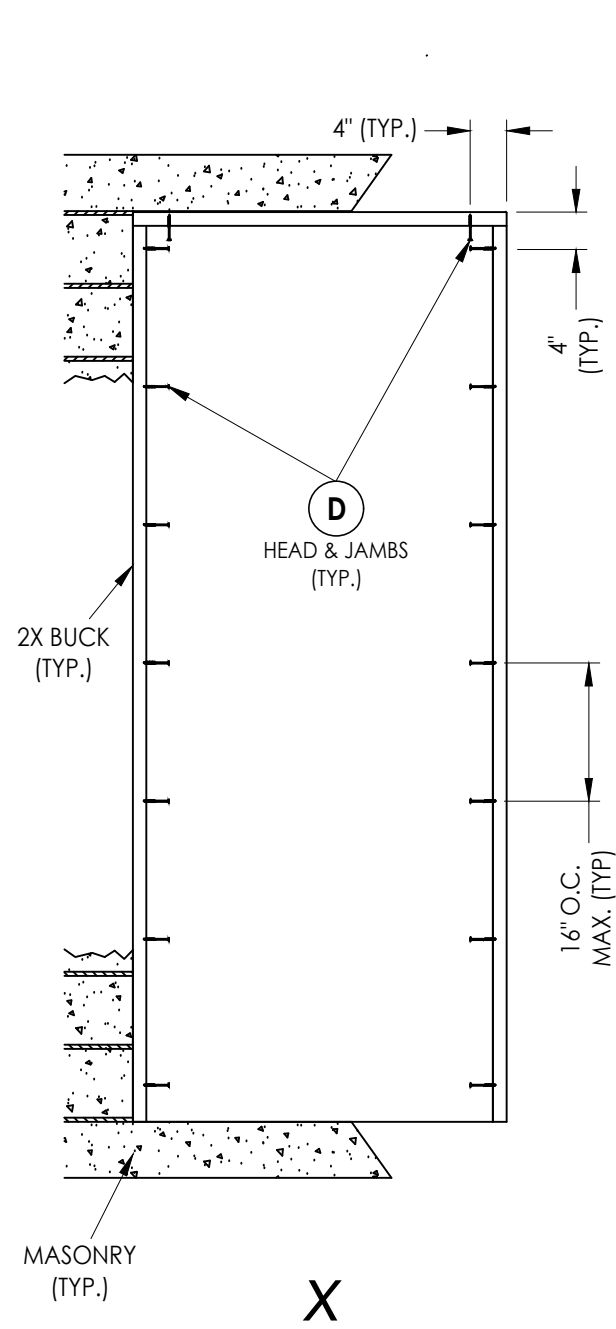
SCALE: N.T.S.

DWG. BY: TRJ

CHK. BY: LFS

DRAWING NO.: FL-25575.10

SHEET 9 OF 13



2X BUCK ANCHORING

Documents Prepared By:
Lyndon F. Schmidt
P.E. No. 43409

RW BUILDING CONSULTANTS, INC.
P.O. Box 230, Valrico, FL 33595
Phone No.: 813.659.9197
FBPE Registry No. 9813

PRODUCT: TRINITY GLASS INT'L

PART OR ASSEMBLY:
BUCK ANCHORING

NO.	DATE	REVISIONS
2	8/01/23	UPDATE TO 8TH ED. (2023) FBC LFS
1	8/11/20	UPDATE TO 7th ED. (2020) FBC DAC
		BY

DATE: 2/05/20

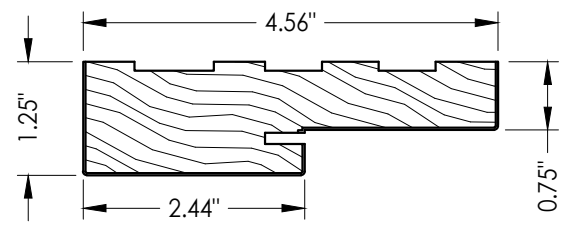
SCALE: N.T.S.

DWG. BY: TRJ

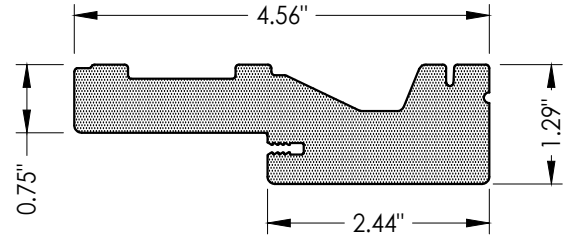
CHK. BY: LFS

DRAWING NO.:
FL-25575.10

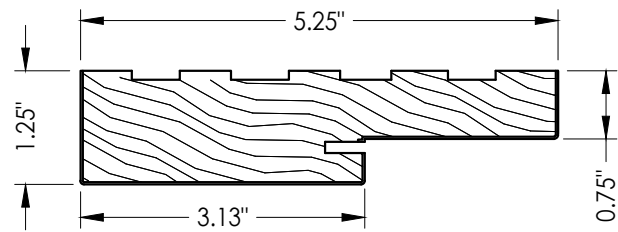
SHEET 10 OF 13



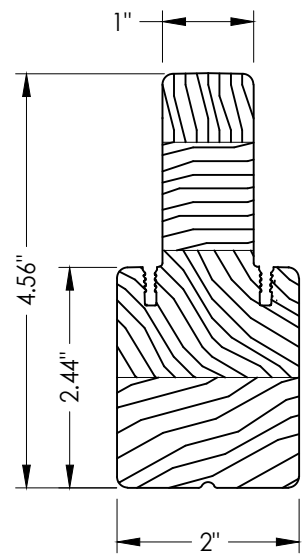
1 FINGER JOINT PINE JAMB



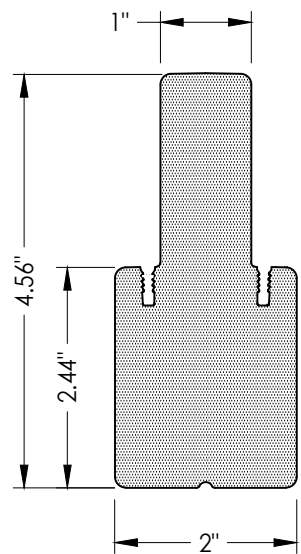
**2 HEAD AND JAMBS
PVC**



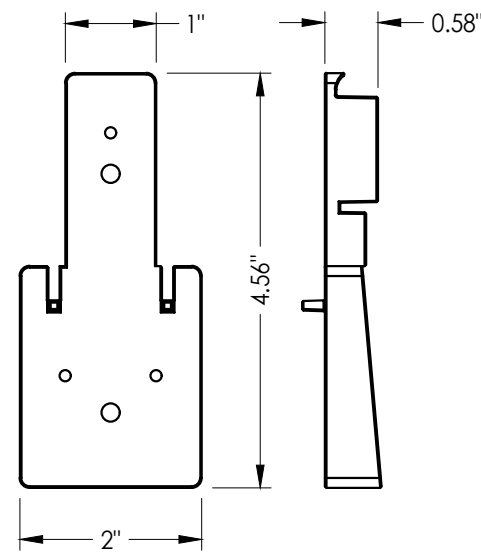
3 FINGER JOINT PINE JAMB



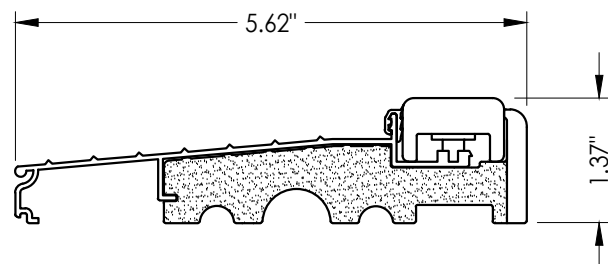
**4 INTEGRAL MULLION
PINE**



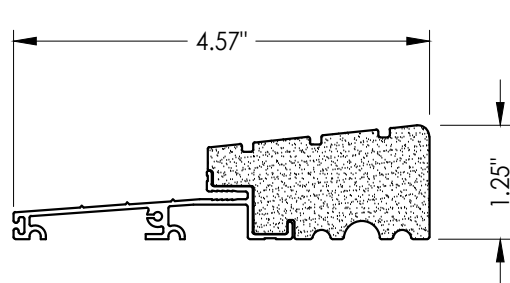
**5 INTEGRAL MULLION
PVC**



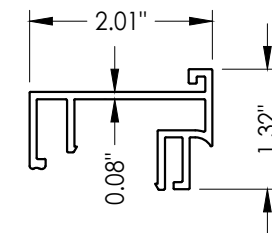
**6 INTEGRAL MULLION BASE KIT
Optional**



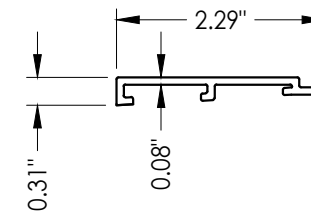
31 INSWING THRESHOLD



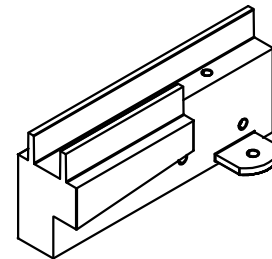
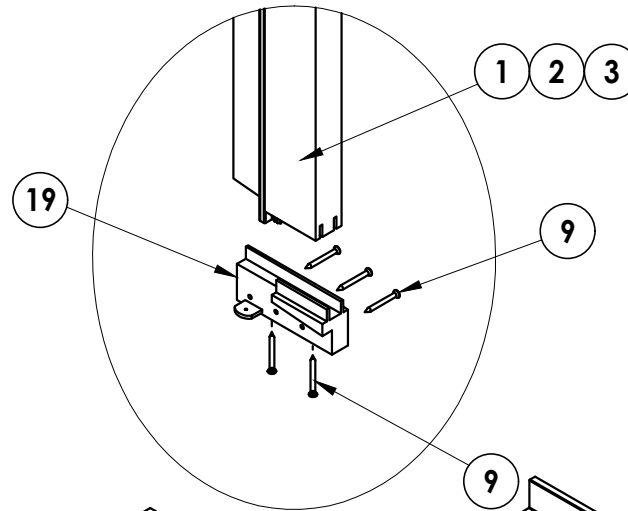
**33 INSWING THRESHOLD
High-dam**



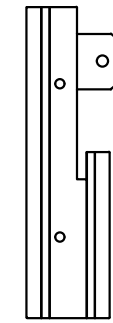
**32 SIDELITE SPACER
Inswing**



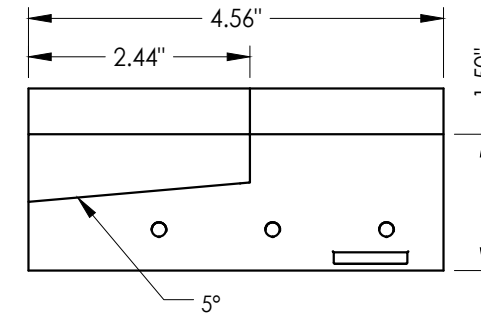
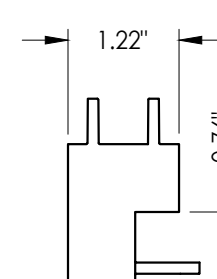
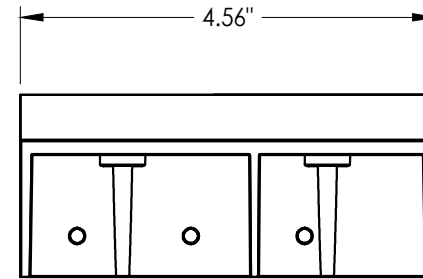
**34 SIDELITE SPACER
Outswing**



SILLKEY, LEFT



SILLKEY, RIGHT



**19 SILLKEY DETAILS
Optional**

Documents Prepared By:
Lyndon F. Schmidt
P.E. No. 43409

RW
BUILDING CONSULTANTS, INC.
P.O. Box 230, Valrico, FL 33595
Phone No.: 813.659.9197
FBPE Registry No. 9813

PRODUCT: TRINITY GLASS INT'L

PART OR ASSEMBLY:
COMPONENTS

REVISIONS	
NO.	DATE
2	8/01/23
1	8/11/20

DATE:	2/05/20
SCALE:	N.T.S.
DWG. BY:	TRJ
CHK. BY:	LFS
DRAWING NO.:	FL-25575.10
SHEET	12 OF 13

