

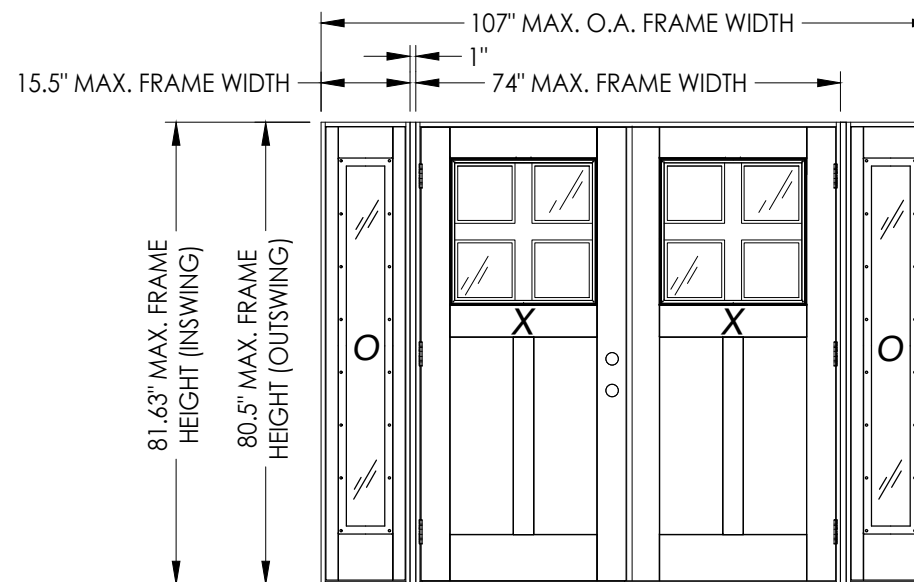
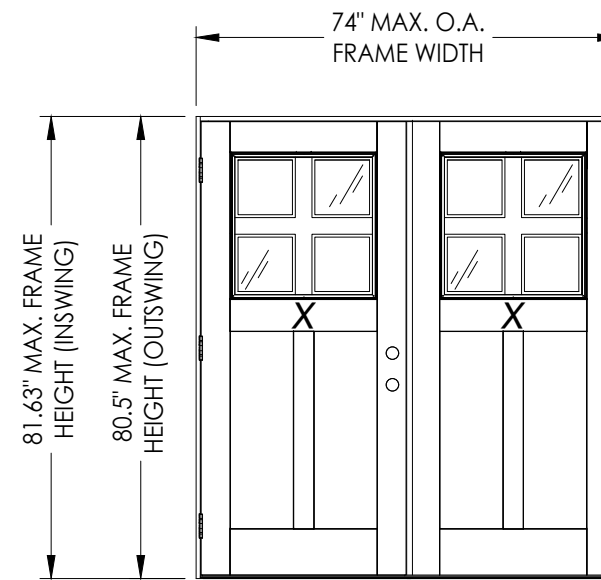
# "Lighthouse" GLAZED FIBERGLASS DOUBLE DOOR w/ or w/out SIDELITE(S) "NON-IMPACT" INSWING / OUTSWING

### GENERAL NOTES

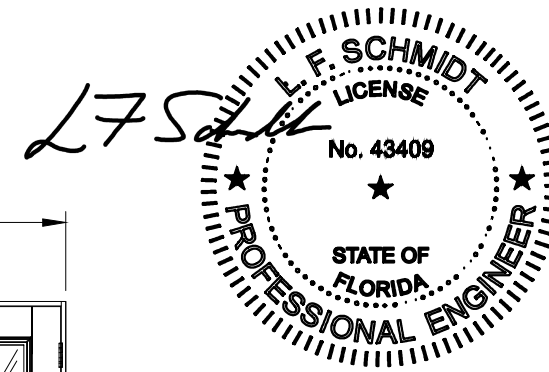
1. This product has been evaluated and is in compliance with the 8th Edition (2023) Florida Building Code (FBC) structural requirements excluding the "High Velocity Hurricane Zone" (HVHZ).
2. Product anchors shall be as listed and spaced as shown on details. Anchor embedment to base material shall be beyond wall dressing or stucco.
3. When used in areas requiring wind borne debris protection, this product is required to be protected with an impact resistant covering that complies with FBC Sections 1609.1.2 & R301.2.1.2.
4. For 2x stud framing construction, anchoring of these units shall be the same as that shown for 2x buck masonry construction.
5. Site conditions that deviate from the details of this drawing require further engineering analysis by a licensed engineer or registered architect.

### TABLE OF CONTENTS

SHEET#	DESCRIPTION
1	Typical elevations, design pressures & general notes
2	Door panel details
3	Sidelite panel details
4	Elevations
5	Horizontal and vertical cross sections (2x buck)
6	Horizontal and vertical cross sections (1x buck)
7	Horizontal and vertical cross sections (Direct to Masonry)
8	Horizontal cross sections
9	Vertical cross sections
10	Buck anchoring
11	Frame anchoring
12	Components
13	Bill of materials



CONFIGURATION	MAX. FRAME DIMENSION	DESIGN PRESSURE (PSF) INSWING		DESIGN PRESSURE (PSF) OUTSWING	
		POSITIVE	NEGATIVE	POSITIVE	NEGATIVE
XX	74.0" x 81.63"	+55.0	-55.0	+55.0	-55.0
OXXO	107.0" x 81.63"	+55.0	-55.0	+55.0	-55.0



This item has been digitally signed and sealed by L. F. Schmidt, P.E. on the date adjacent to the seal. Printed copies of this document are not considered signed and sealed and the signature must be verified on any electronic copies.

THIS PRODUCT APPROVAL IS VALID ONLY FOR THE STATE OF FLORIDA

Documents Prepared By:  
Lyndon F. Schmidt  
P.E. No. 43409

RW BUILDING CONSULTANTS, INC.  
P.O. Box 230, Valrico, FL 33595  
Phone No.: 813.659.9197  
FBPE Registry No. 9813

PRODUCT: TRINITY GLASS INT'L

PART OR ASSEMBLY:  
TYPICAL ELEVATION, DESIGN PRESSURES & GENERAL NOTES

NO.	DATE	DESCRIPTION	BY
3	8/01/23	UPDATE TO 8TH ED. (2023) FBC	LFS
2	8/11/20	UPDATE TO 7th ED. (2020) FBC & REVISE ENDURA ULT. ASTRAGAL	DAC
1	2/04/20	DEFINE MODEL DESCRIPTION	RW

DATE: 12/8/17

SCALE: N.T.S.

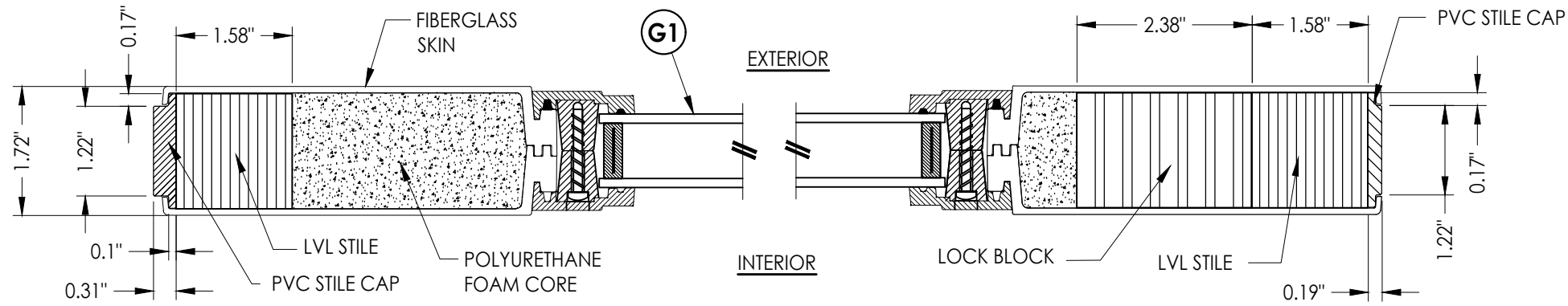
DWG. BY: JK

CHK. BY: LFS

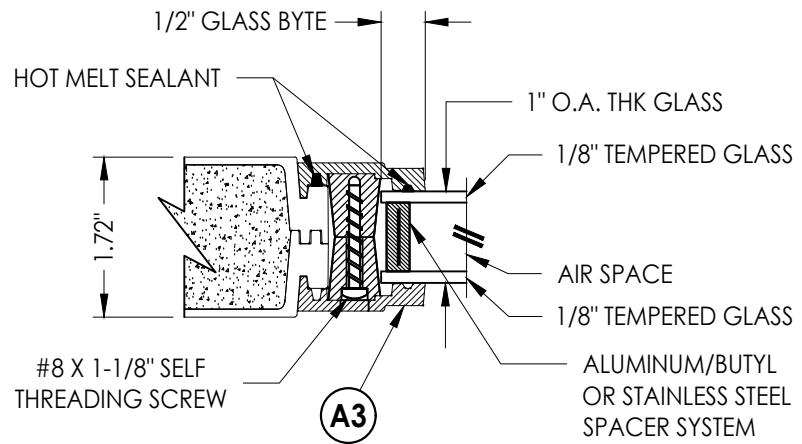
DRAWING NO.:  
FL-25575.3

SHEET 1 OF 13

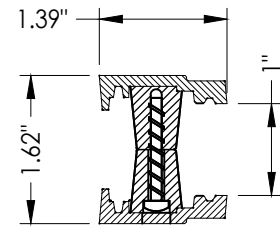
REVISIONS



**1**  
**2** **HORIZONTAL CROSS SECTION**

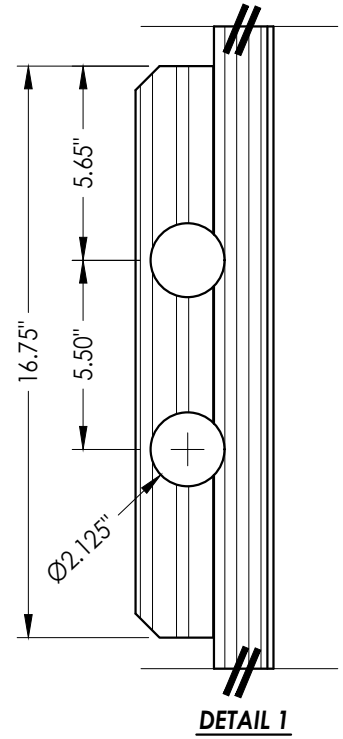


**G1** **GLAZING DETAIL**

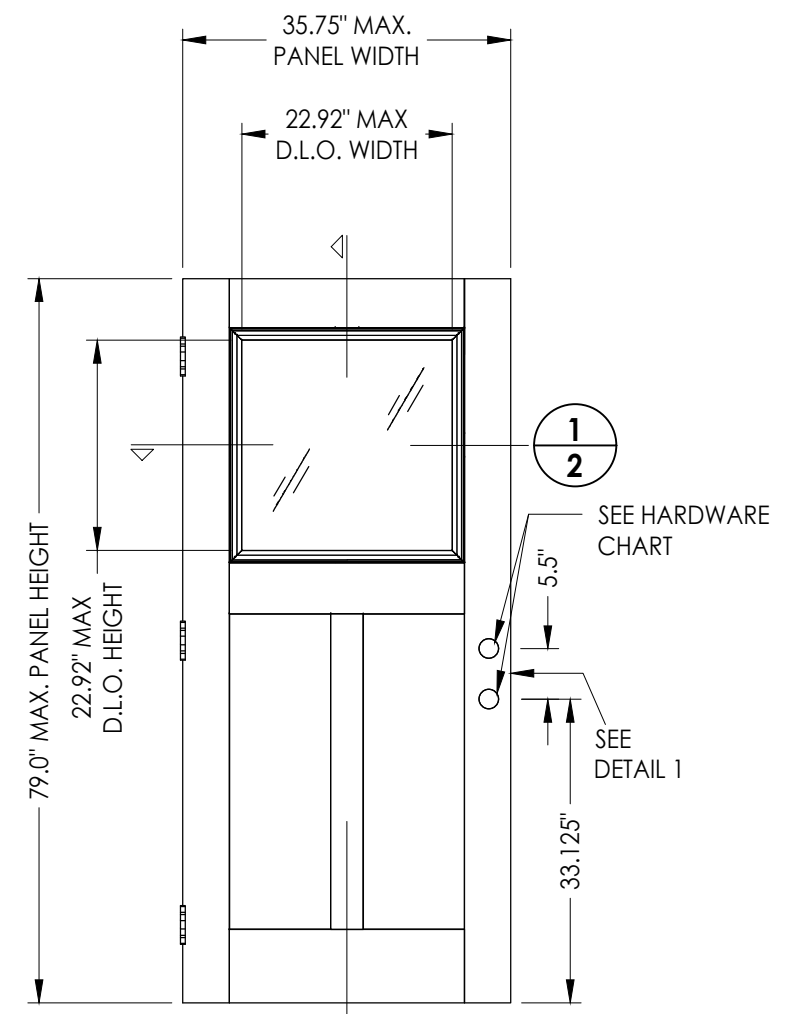


**A3** **FRAME**  
FIBERGLASS

HARDWARE CHART	
MANUFACTURER	MODEL
KWIKSET	KNOB: SIGNATURE SERIES
	DEADBOLT: SIGNATURE SERIES (980)
SCHLAGE	KNOB: F SERIES
	DEADBOLT: B60 SERIES



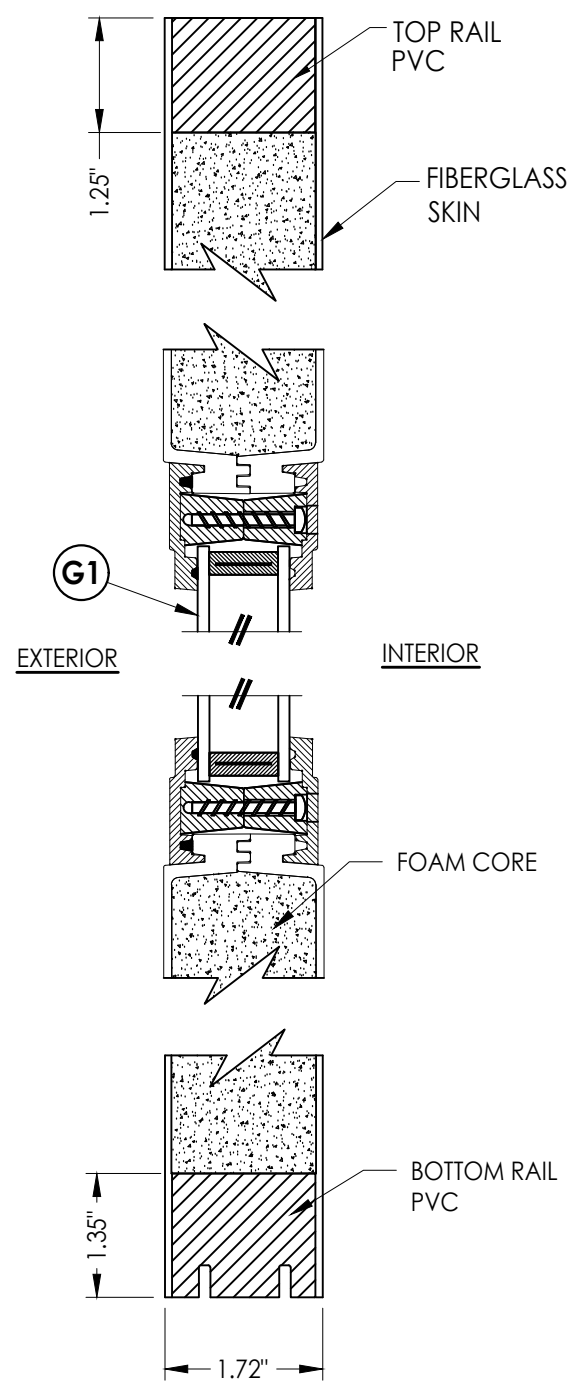
**DETAIL 1**



**2**  
**2**

**40** **GLAZED DOOR**  
LIGHHOUSE

DOOR SKIN: 0.079" MIN. THK. FIBERGLASS  
CORE MATERIAL: POLYURETHANE FOAM



**2**  
**2** **VERTICAL CROSS SECTION**

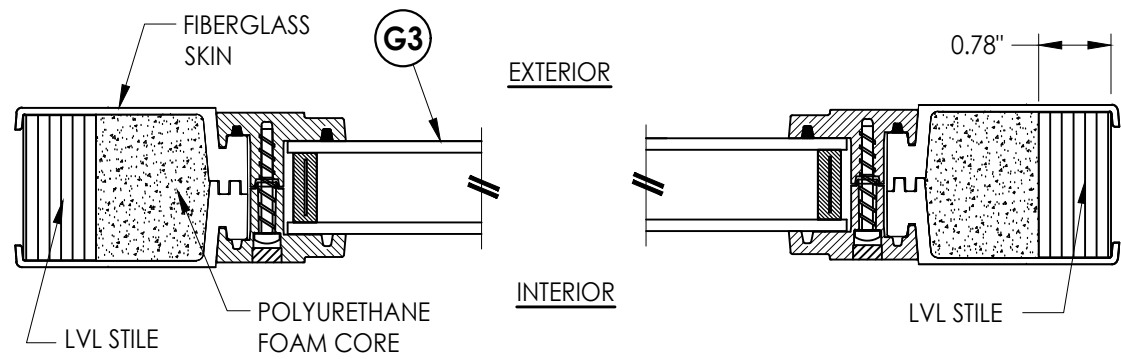
Documents Prepared By:  
Lyndon F. Schmidt  
P.E. No. 43409

**RW** BUILDING CONSULTANTS, INC.  
P.O. Box 230, Valrico, FL 33595  
Phone No.: 813.659.9197  
FBPE Registry No. 9813

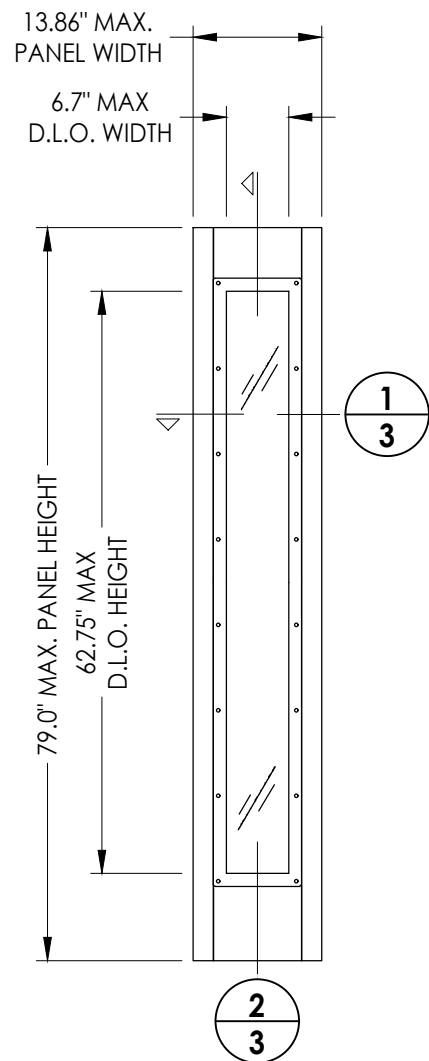
PRODUCT: TRINITY GLASS INT'L  
PART OR ASSEMBLY: DOOR PANEL DETAILS

REVISIONS			
NO.	DATE	DESCRIPTION	BY
3	8/01/23	UPDATE TO 8TH ED. (2023) FBC LFS	DAC
2	8/11/20	UPDATE TO 7th ED. (2020) FBC DAC	
1	2/04/20	& REVISE ENDURA ULT. ASTRAGAL DEFINE MODEL DESCRIPTION	RW

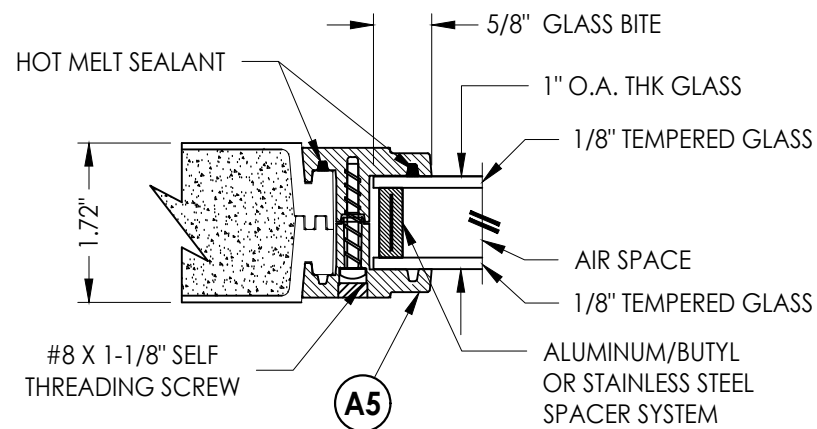
DATE: 12/8/17  
SCALE: N.T.S.  
DWG. BY: JK  
CHK. BY: LFS  
DRAWING NO.: FL-25575.3  
SHEET 2 OF 13



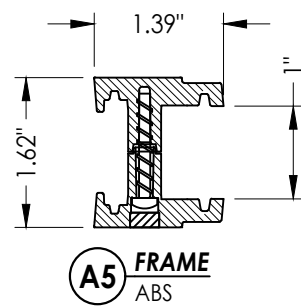
**1**  
**3** HORIZONTAL CROSS SECTION



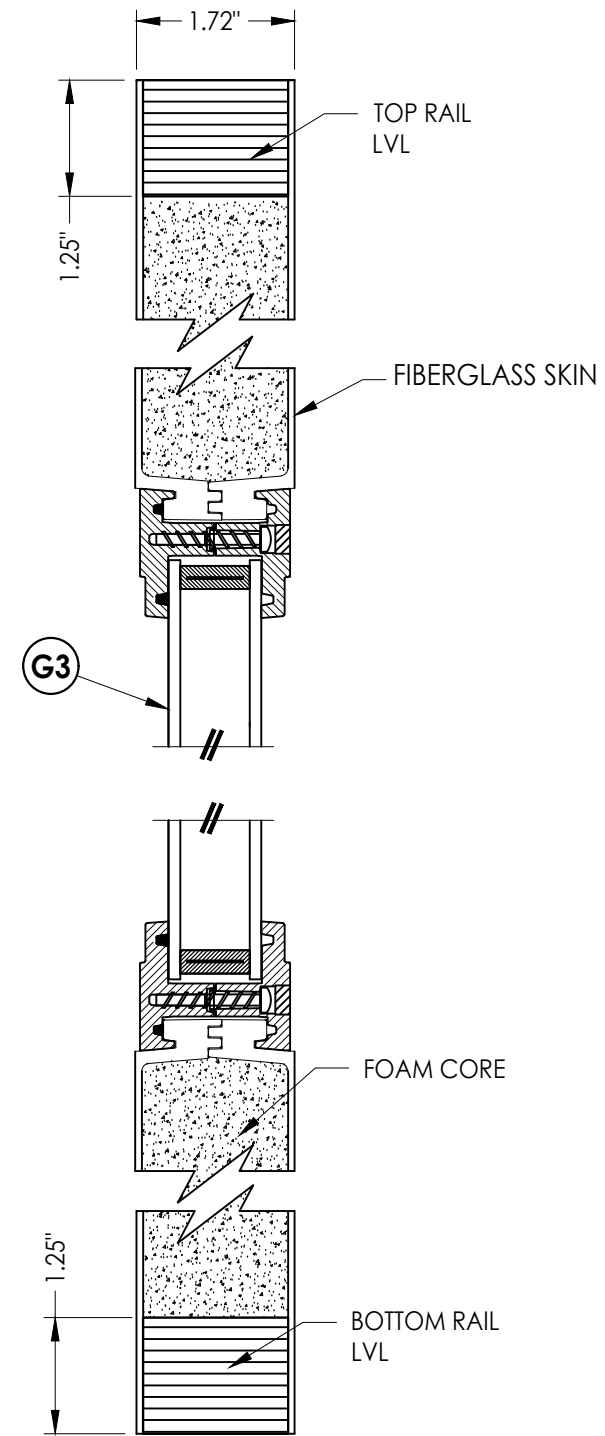
**70** SIDELITE PANEL



**G3** GLAZING DETAIL



**A5** FRAME  
ABS



**2**  
**3** VERTICAL CROSS SECTION

DOOR SKIN: 0.079" MIN. THK. FIBERGLASS  
CORE MATERIAL: POLYURETHANE FOAM

Documents Prepared By:  
Lyndon F. Schmidt  
P.E. No. 43409

**RW** BUILDING CONSULTANTS, INC.  
P.O. Box 230, Valrico, FL 33595  
Phone No.: 813.659.9197  
FBPE Registry No. 9813

PRODUCT: TRINITY GLASS INT'L

PART OR ASSEMBLY: SIDELITE PANEL DETAILS

NO.	DATE	REVISIONS
3	8/01/23	UPDATE TO 8TH ED. (2023) FBC LFS
2	8/11/20	UPDATE TO 7th ED. (2020) FBC DAC
		& REVISE ENDURA ULT. ASTRAGAL
1	2/04/20	DEFINE MODEL DESCRIPTION RW
		BY

DATE: 12/8/17

SCALE: N.T.S.

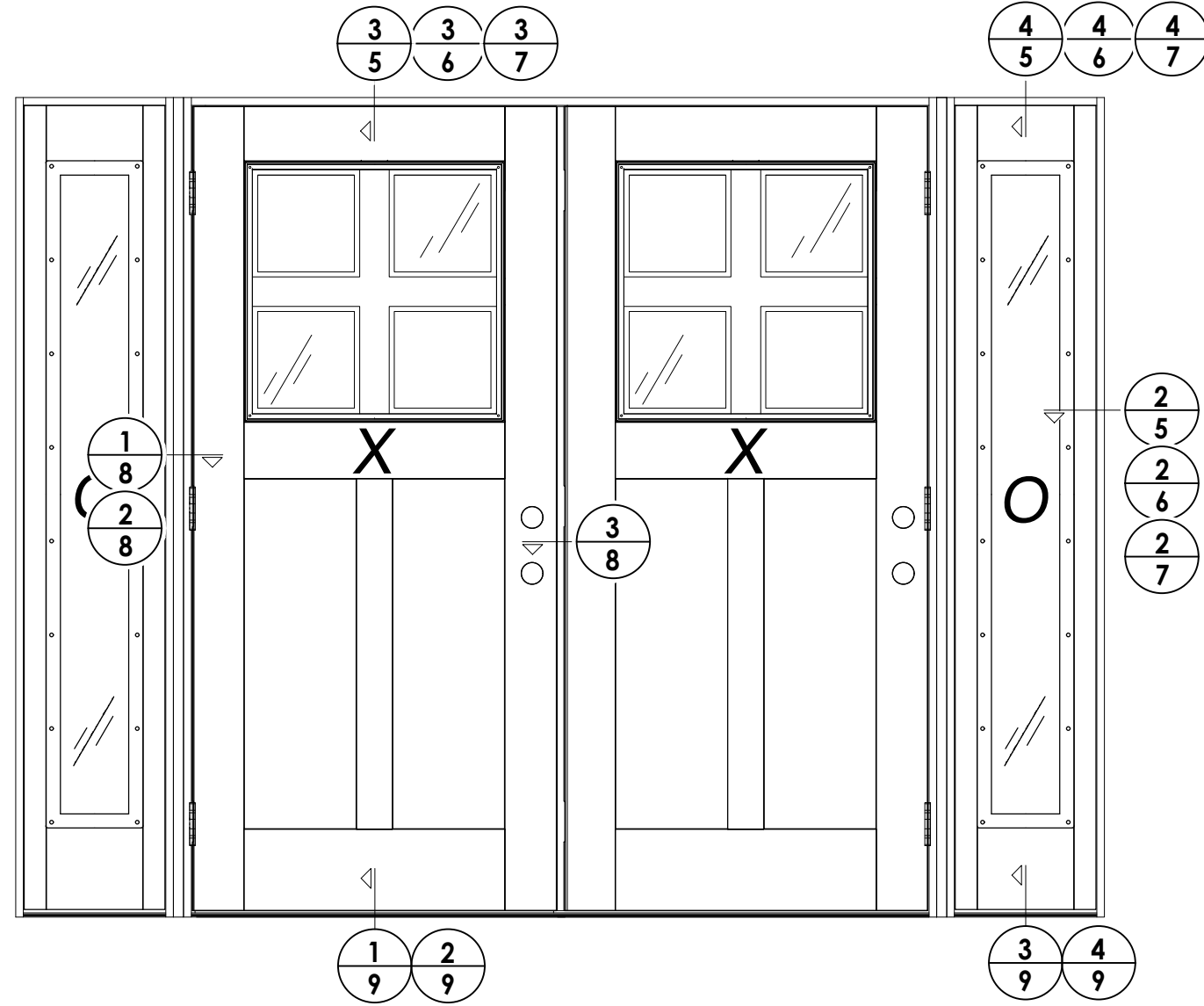
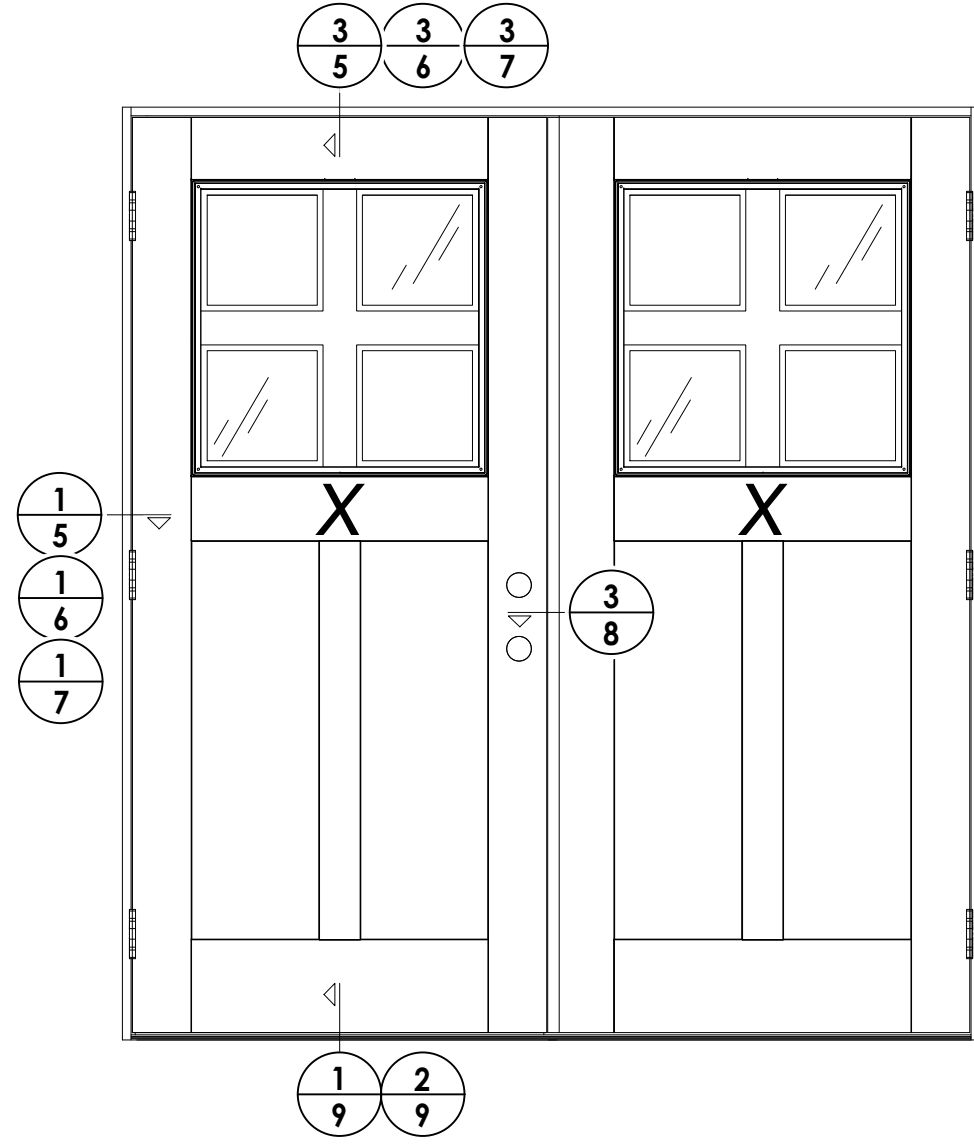
DWG. BY: JK

CHK. BY: LFS

DRAWING NO.:

FL-25575.3

SHEET 3 OF 13



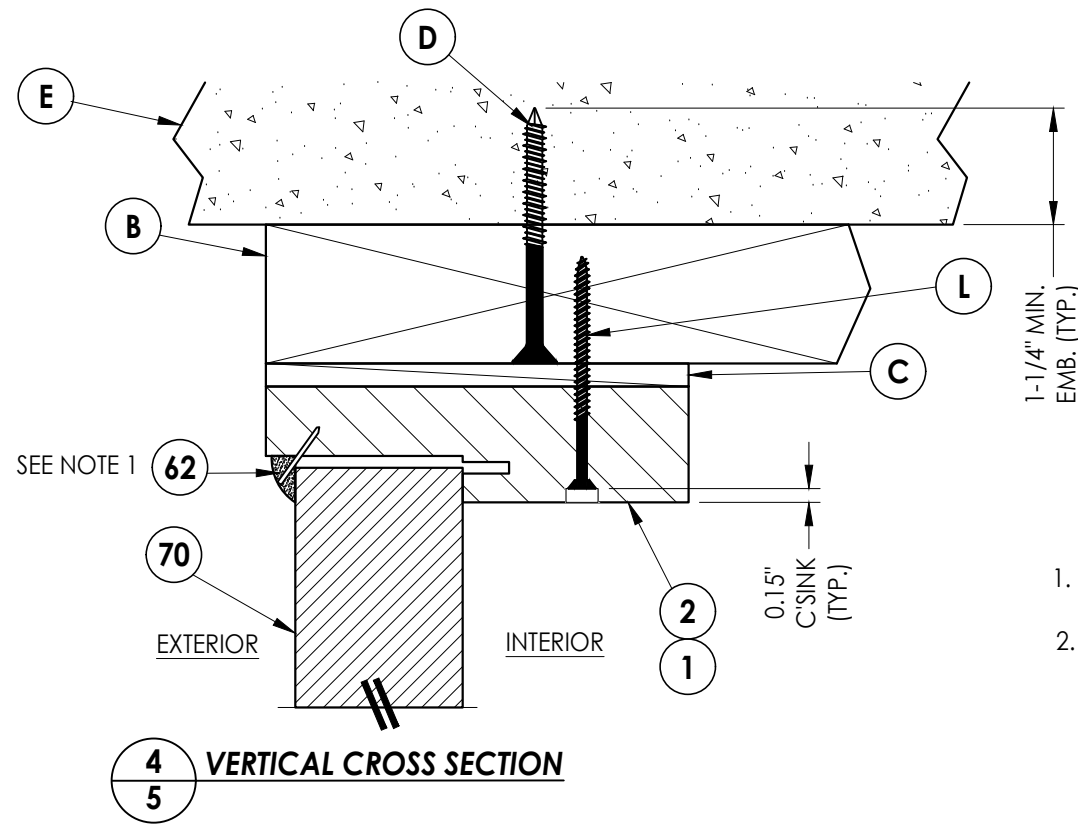
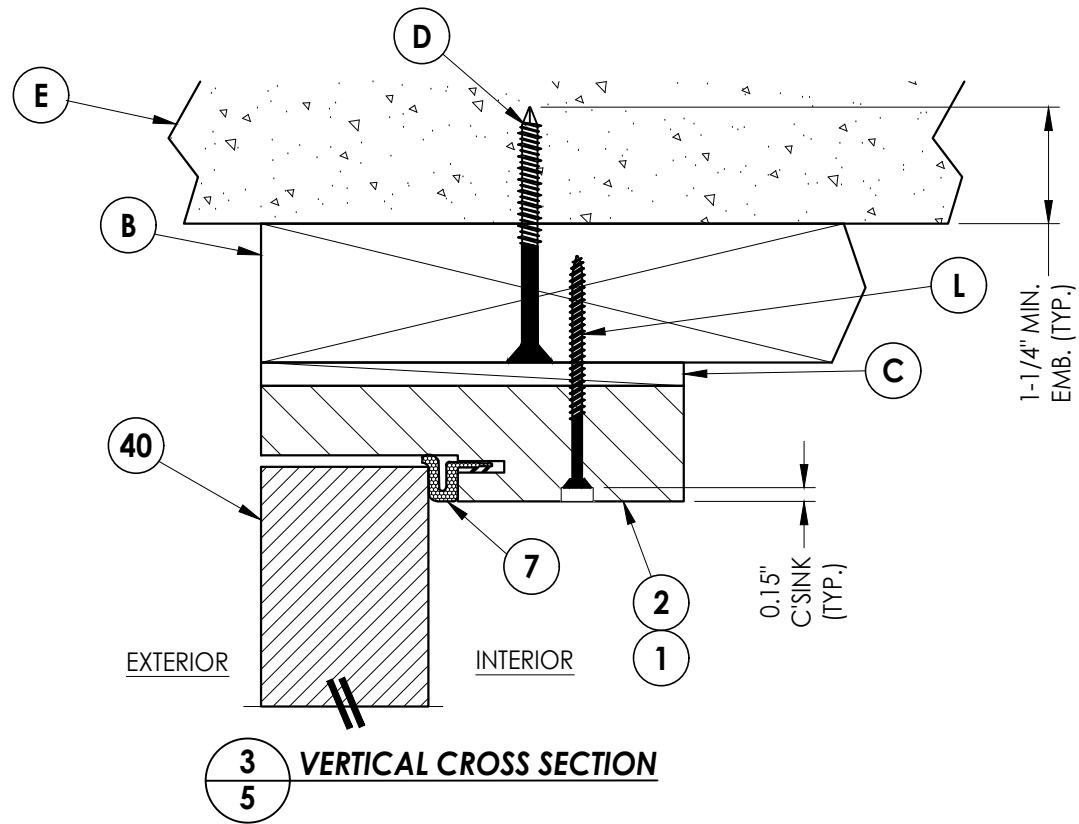
DATE: 12/8/17  
 SCALE: N.T.S.  
 DWG. BY: JK  
 CHK. BY: LFS  
 DRAWING NO.:  
 FL-25575.3  
 SHEET 4 OF 13

NO.	DATE	REVISIONS	BY
3	8/01/23	UPDATE TO 8TH ED. (2023) FBC LFS	
2	8/11/20	UPDATE TO 7th ED. (2020) FBC DAC & REVISE ENDURA ULT. ASTRAGAL	
1	2/04/20	DEFINE MODEL DESCRIPTION	RW

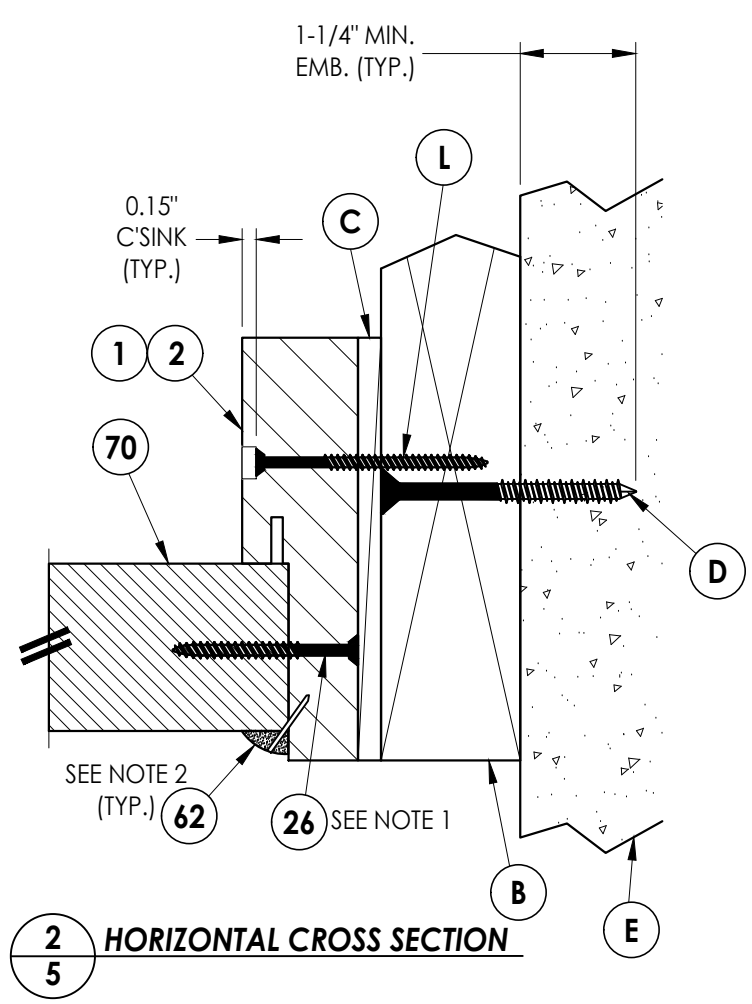
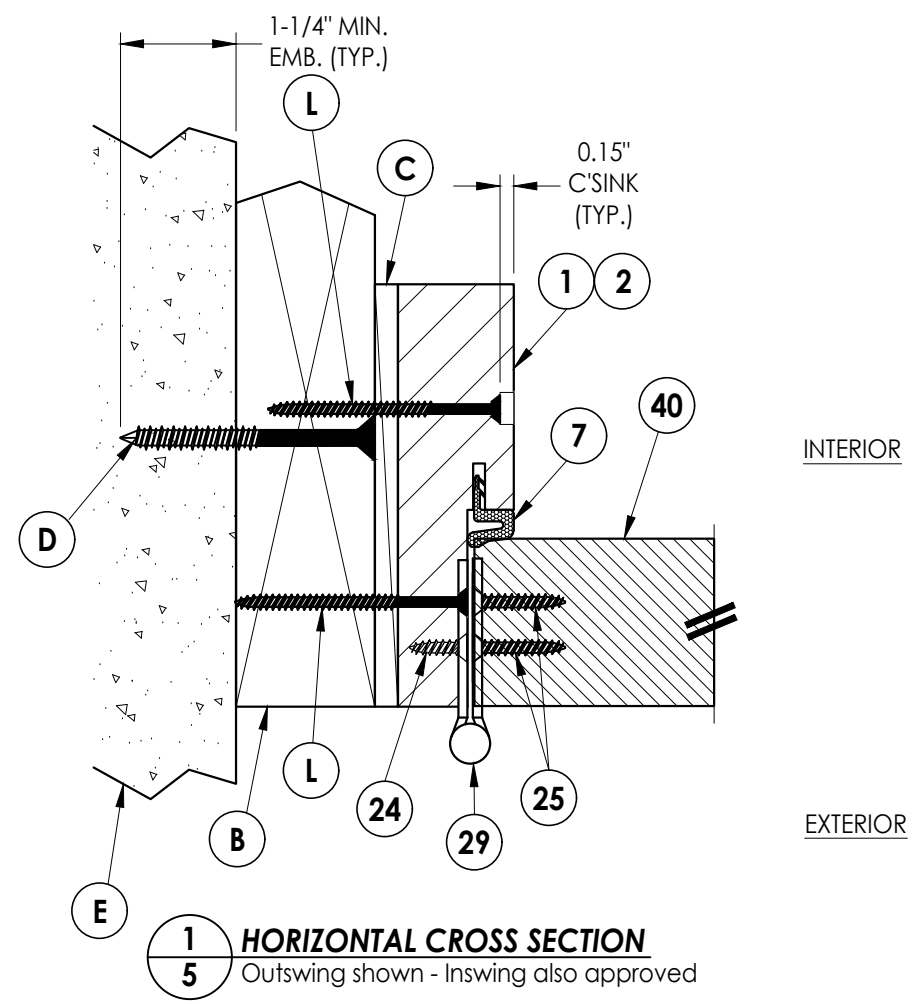
PRODUCT: TRINITY GLASS INT'L  
 PART OR ASSEMBLY: ELEVATIONS

Documents Prepared By:  
 Lyndon F. Schmidt  
 P.E. No. 43409

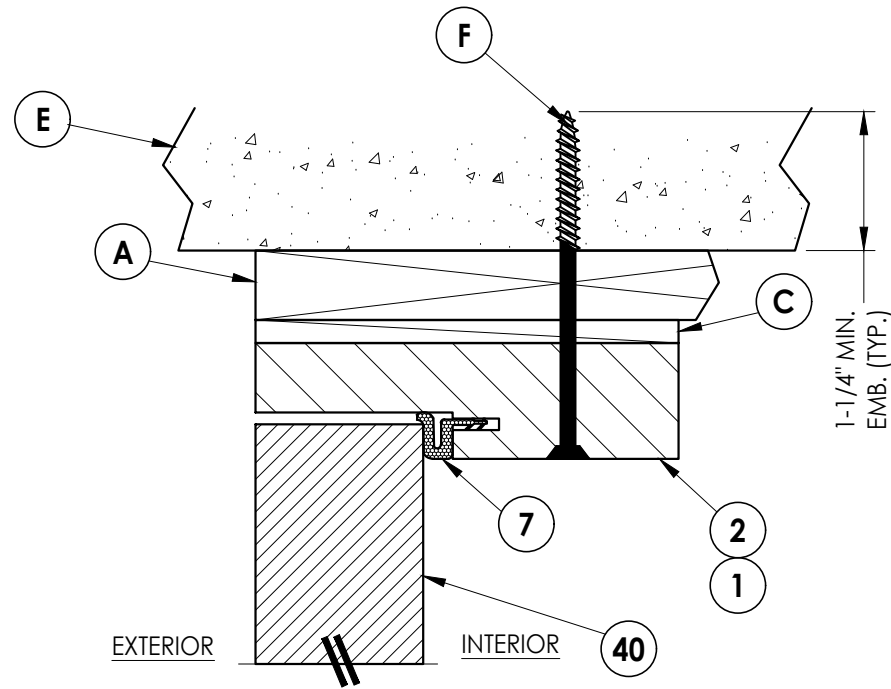
**RW** BUILDING CONSULTANTS, INC.  
 P.O. Box 230, Vairico, FL 33595  
 Phone No.: 813.659.9197  
 FBPE Registry No. 9813



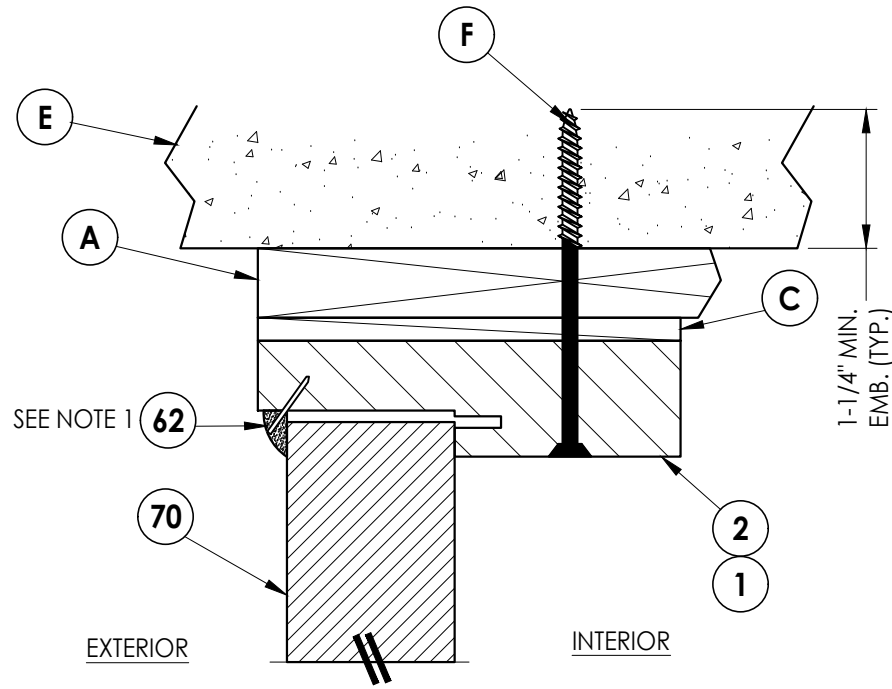
**NOTE:**  
 1. Item #26 located 6" from each end and 3 more equally spaced (5 total).  
 2. PVC Quarter round attached with 18 GA. brad nail 3" from each end then 8" on center thereafter.



Documents Prepared By: Lyndon F. Schmidt P.E. No. 4-3409		RW BUILDING CONSULTANTS, INC. P.O. Box 230, Vairico, FL 33595 Phone No.: 813.659.9197 FBPE Registry No. 9813	
PRODUCT: TRINITY GLASS INT'L		PART OR ASSEMBLY: HORIZONTAL AND VERTICAL CROSS SECTIONS (2X BUCK)	
NO.	DATE	DESCRIPTION	BY
3	8/01/23	UPDATE TO 8TH ED. (2023) FBC	LFS
2	8/11/20	UPDATE TO 7th ED. (2020) FBC & REVISE ENDURA ULT. ASTRAGAL	DAC
1	2/04/20	DEFINE MODEL DESCRIPTION	RW
REVISIONS			BY
DATE: 12/8/17			
SCALE: N.T.S.			
DWG. BY: JK			
CHK. BY: LFS			
DRAWING NO.: FL-25575.3			
SHEET 5 OF 13			



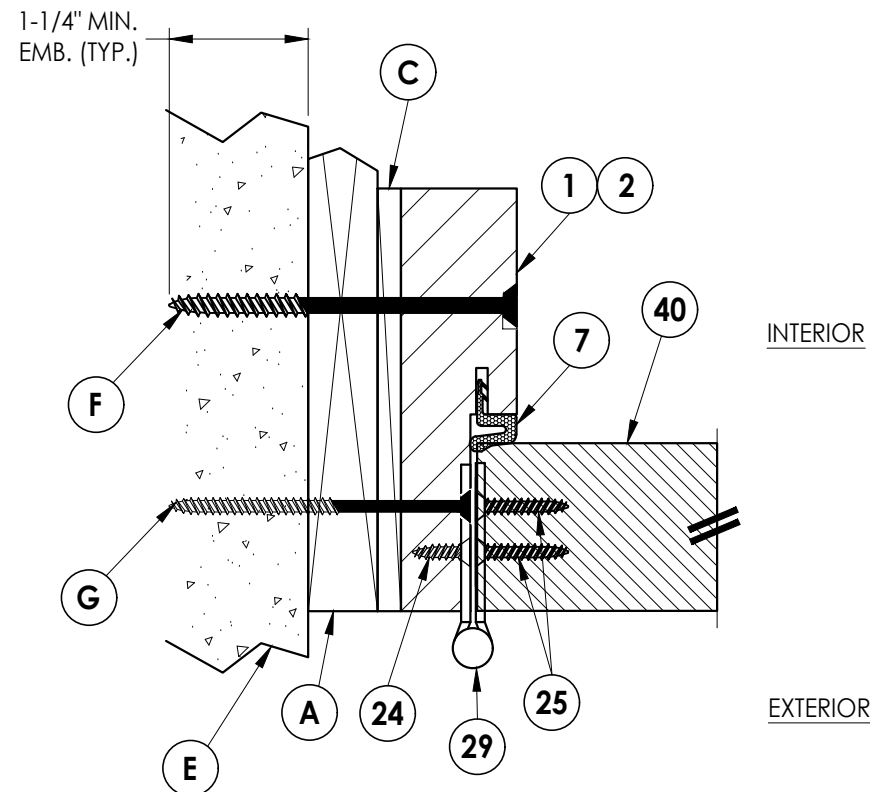
**3**  
**6** VERTICAL CROSS SECTION



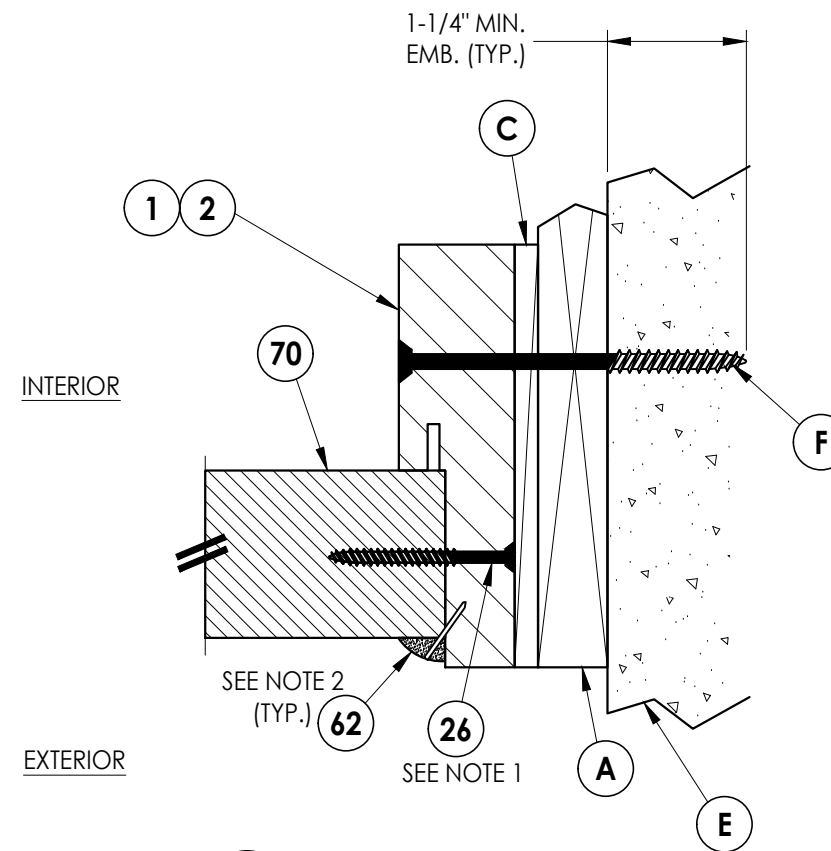
**4**  
**6** VERTICAL CROSS SECTION

NOTE:

1. Item #26 located 6" from each end and 3 more equally spaced (5 total).
2. PVC Quarter round attached with 18 GA. brad nail 3" from each end then 8" on center thereafter.



**1**  
**6** HORIZONTAL CROSS SECTION  
Outswing shown - Inswing also approved



**2**  
**6** HORIZONTAL CROSS SECTION

Documents Prepared By:  
Lyndon F. Schmidt  
P.E. No. 43409

**RW** BUILDING CONSULTANTS, INC.  
P.O. Box 230, Valrico, FL 33595  
Phone No.: 813.659.9197  
FBPE Registry No. 9813

PRODUCT: TRINITY GLASS INT'L

PART OR ASSEMBLY:  
HORIZONTAL AND VERTICAL  
CROSS SECTIONS (1X BUCK)

NO.	DATE	REVISIONS
3	8/01/23	UPDATE TO 8TH ED. (2023) FBC LFS
2	8/11/20	UPDATE TO 7th ED. (2020) FBC DAC & REVISE ENDURA ULT. ASTRAGAL
1	2/04/20	DEFINE MODEL DESCRIPTION RW BY

DATE: 12/8/17

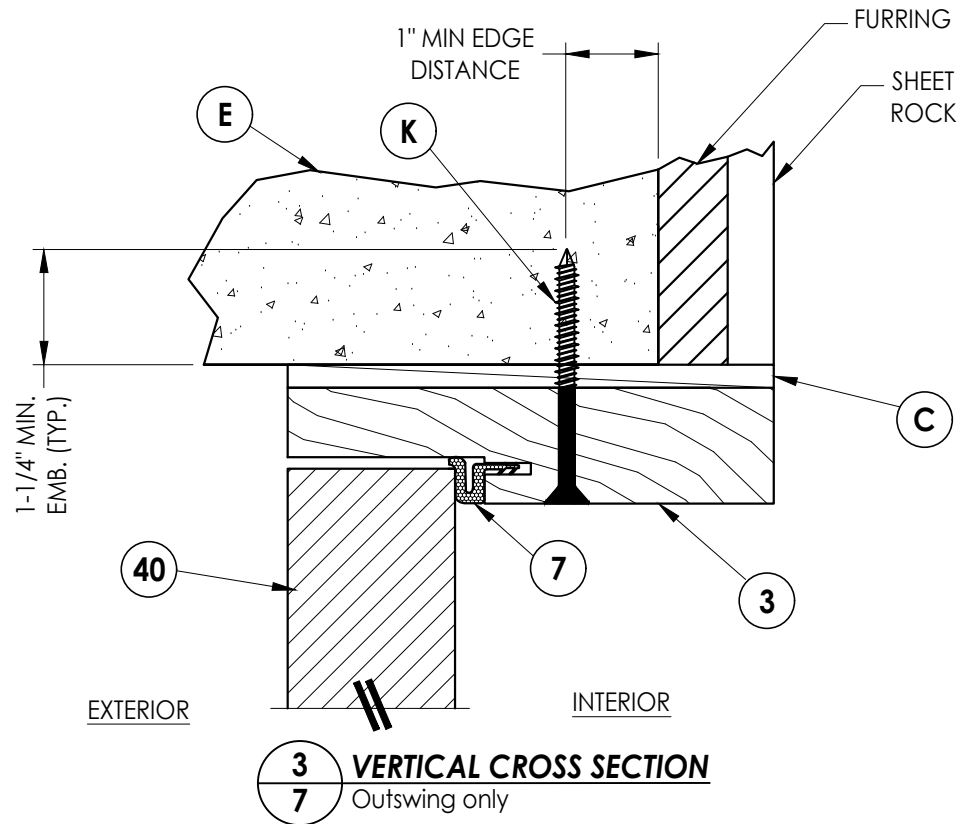
SCALE: N.T.S.

DWG. BY: JK

CHK. BY: LFS

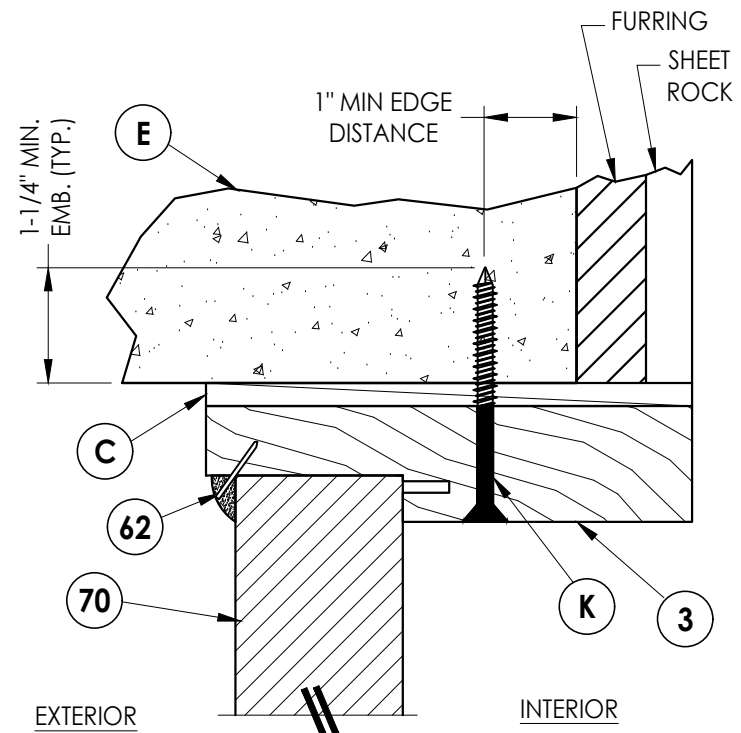
DRAWING NO.: FL-25575.3

SHEET 6 OF 13

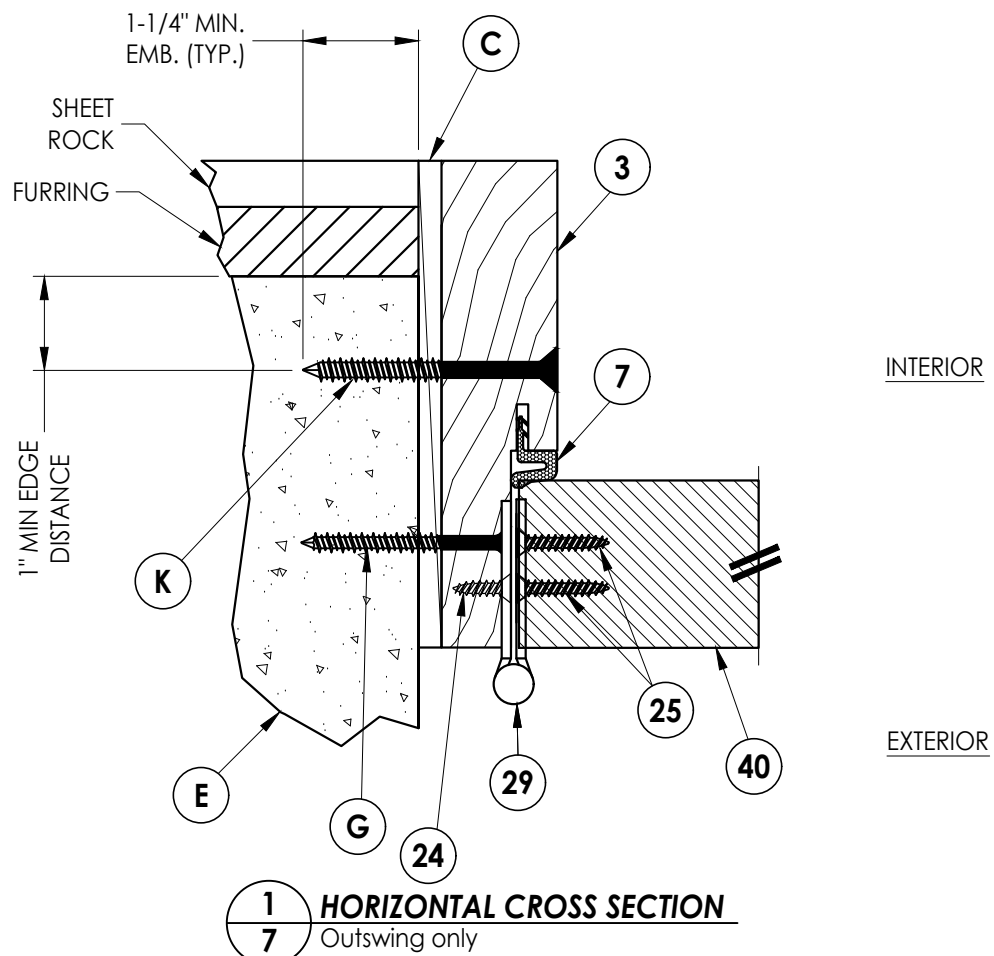


**NOTE:**

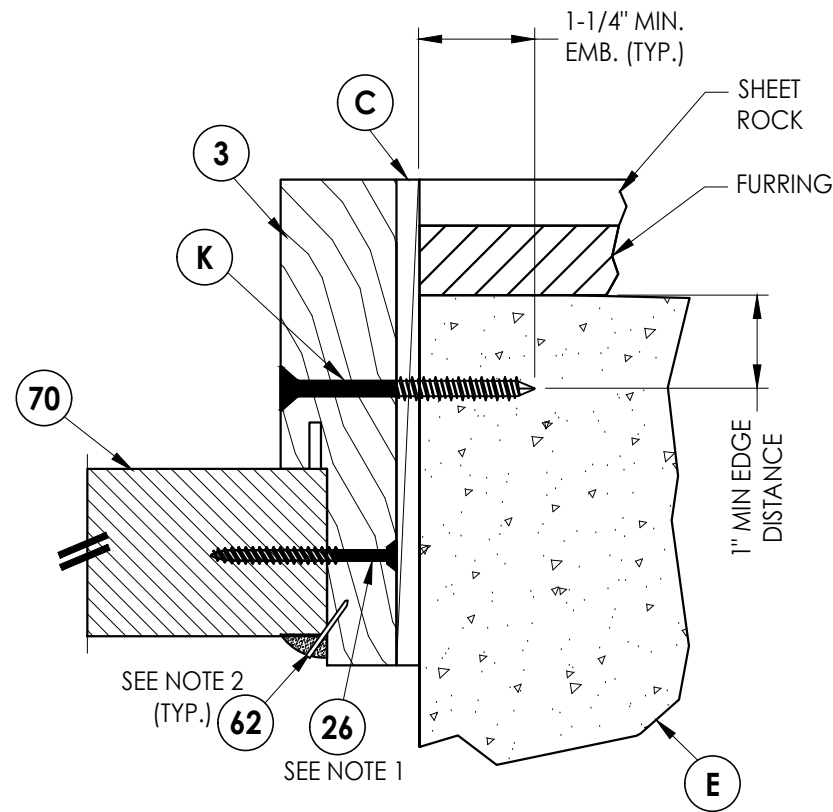
1. Item #26 located 6" from each end and 3 more equally spaced (5 total).
2. PVC Quarter round attached with 18 GA. brad nail 3" from each end then 8" on center thereafter.



**4 VERTICAL CROSS SECTION**  
7 Outswing only



**1 HORIZONTAL CROSS SECTION**  
7 Outswing only



**2 HORIZONTAL CROSS SECTION**  
7 Outswing only

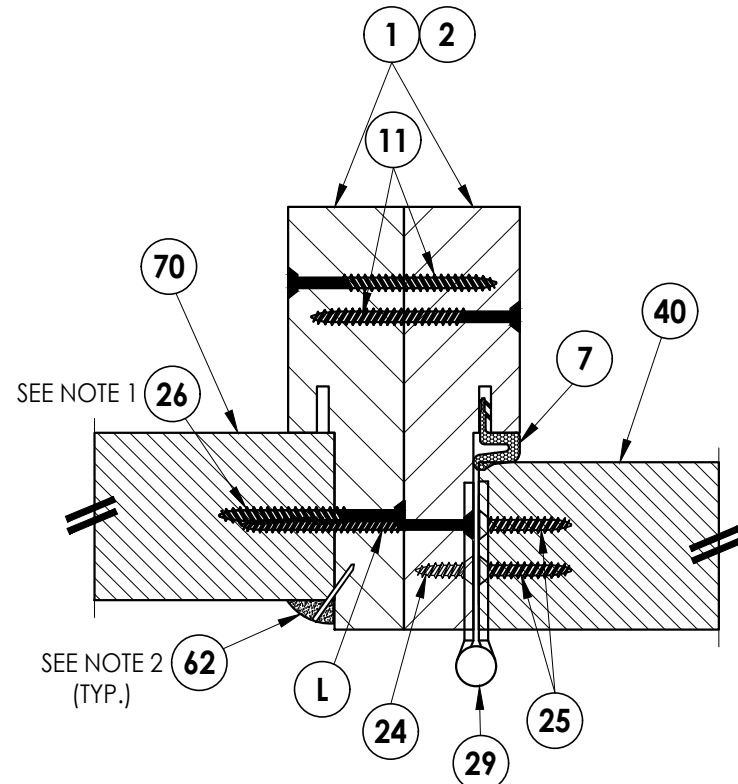
Documents Prepared By:  
Lyndon F. Schmidt  
P.E. No. 43409

**RW** BUILDING CONSULTANTS, INC.  
P.O. Box 230, Valrico, FL 33595  
Phone No.: 813.659.9197  
FBPE Registry No. 9813

PRODUCT: TRINITY GLASS INT'L  
PART OR ASSEMBLY: HORIZONTAL AND VERTICAL CROSS SECTIONS (DIRECT TO MASONRY)

NO.	DATE	DESCRIPTION	RW	BY
3	8/01/23	UPDATE TO 8TH ED. (2023) FBC	LFS	
2	8/11/20	UPDATE TO 7th ED. (2020) FBC & REVISE ENDURA ULT. ASTRAGAL	DAC	
1	2/04/20	DEFINE MODEL DESCRIPTION	RW	

DATE: 12/8/17  
SCALE: N.T.S.  
DWG. BY: JK  
CHK. BY: LFS  
DRAWING NO.: FL-25575.3  
SHEET 7 OF 13



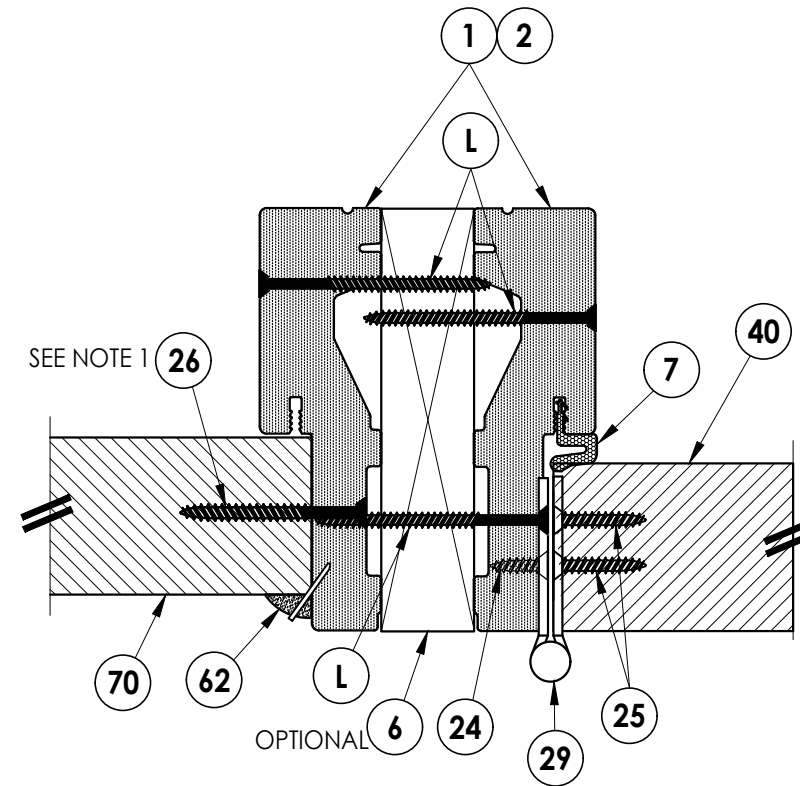
**1** HORIZONTAL CROSS SECTION  
**8** Outswing shown - Inswing also approved

NOTE:

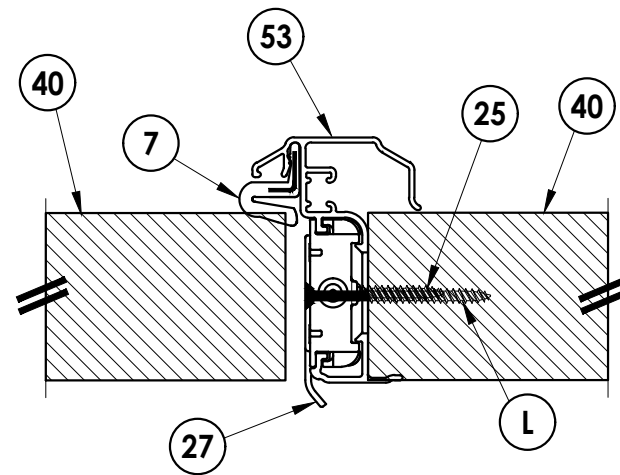
1. Item #26 located 6" from each end and 3 more equally spaced (5 total).
2. PVC Quarter round attached with 18 GA. brad nail 3" from each end then 8" on center thereafter.

INTERIOR

EXTERIOR



**2** HORIZONTAL CROSS SECTION  
**8** Outswing shown - Inswing also approved



**3** HORIZONTAL CROSS SECTION  
**8** Outswing shown - Inswing also approved

Documents Prepared By:  
 Lyndon F. Schmidt  
 P.E. No. 43409

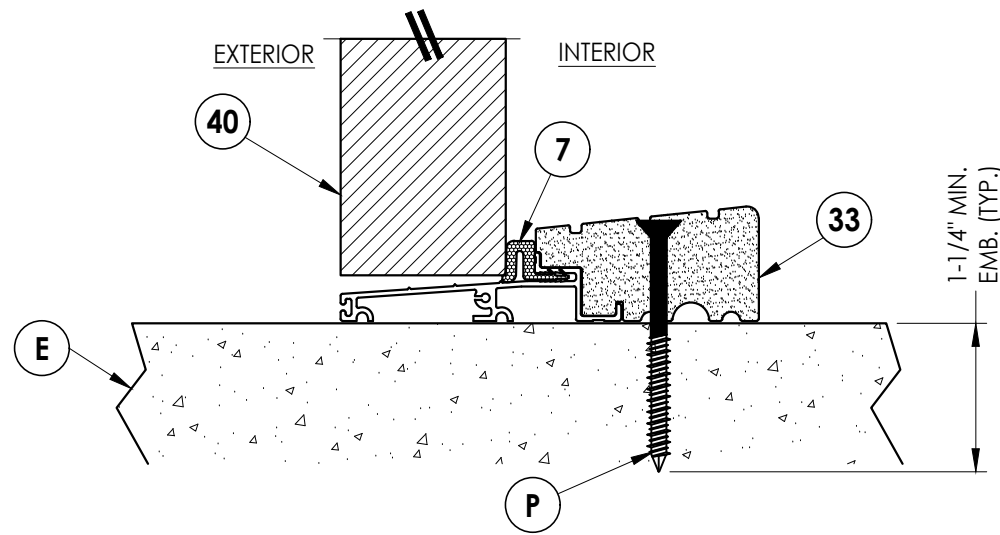
**RW** BUILDING CONSULTANTS, INC.  
 P.O. Box 230, Valrico, FL 33595  
 Phone No.: 813.659.9197  
 FBPE Registry No. 9813

PRODUCT: TRINITY GLASS INT'L  
 PART OR ASSEMBLY: HORIZONTAL CROSS SECTIONS

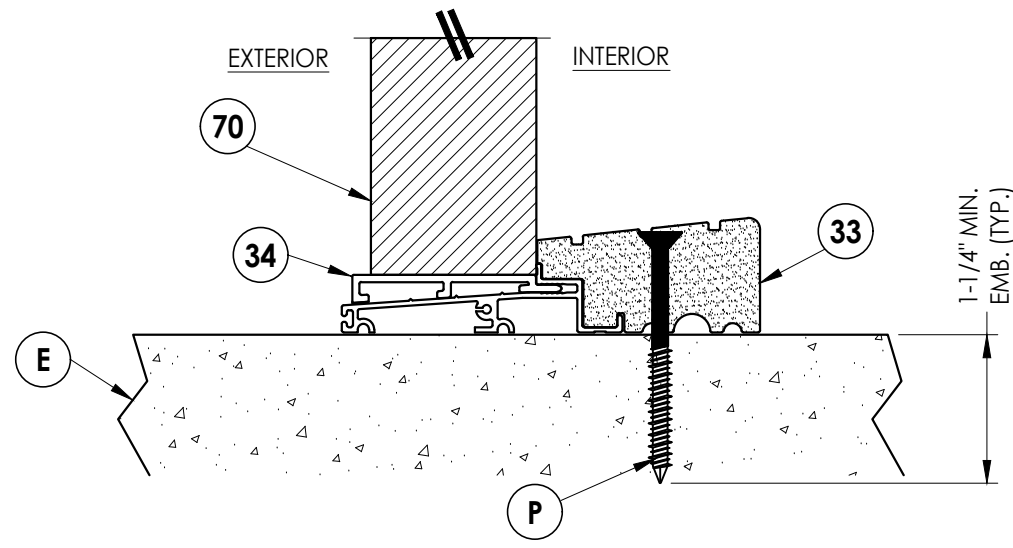
NO.	DATE	REVISIONS
3	8/01/23	UPDATE TO 8TH ED. (2023) FBC LFS
2	8/11/20	UPDATE TO 7th ED. (2020) FBC DAC
1	2/04/20	DEFINE MODEL DESCRIPTION RW BY

DATE: 12/8/17  
 SCALE: N.T.S.  
 DWG. BY: JK  
 CHK. BY: LFS  
 DRAWING NO.: FL-25575.3  
 SHEET 8 OF 13

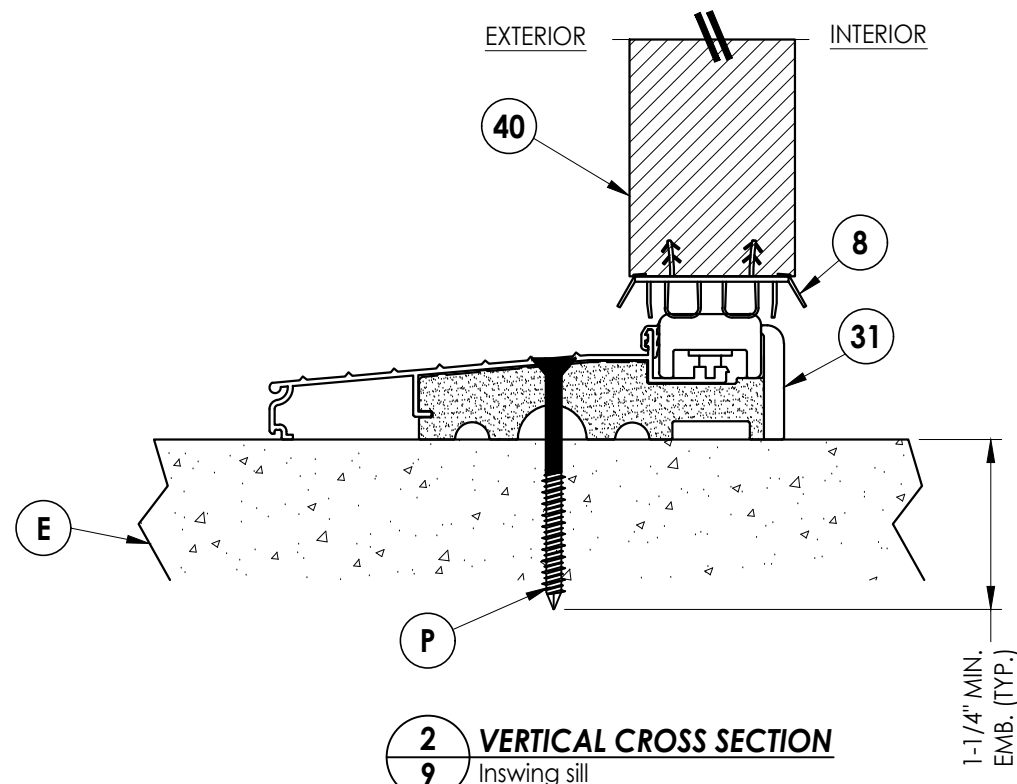




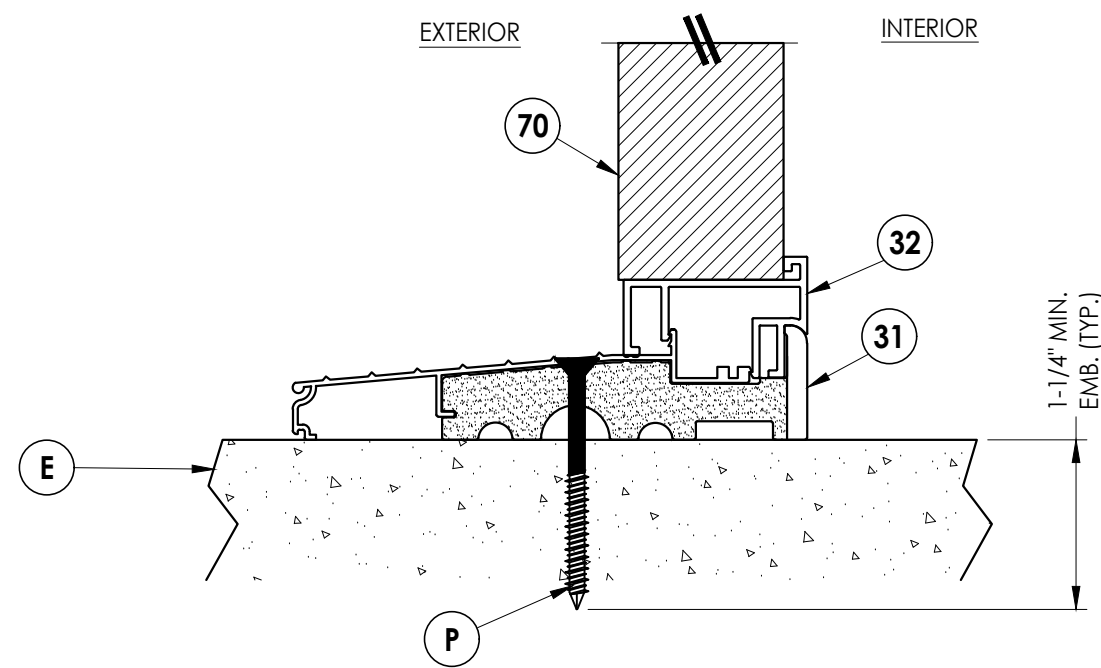
**1** VERTICAL CROSS SECTION  
**9** Outswing sill - high dam



**3** VERTICAL CROSS SECTION  
**9** Outswing sill - high dam



**2** VERTICAL CROSS SECTION  
**9** Inswing sill



**4** VERTICAL CROSS SECTION  
**9** Inswing sill

Documents Prepared By:  
 Lyndon F. Schmidt  
 P.E. No. 43409

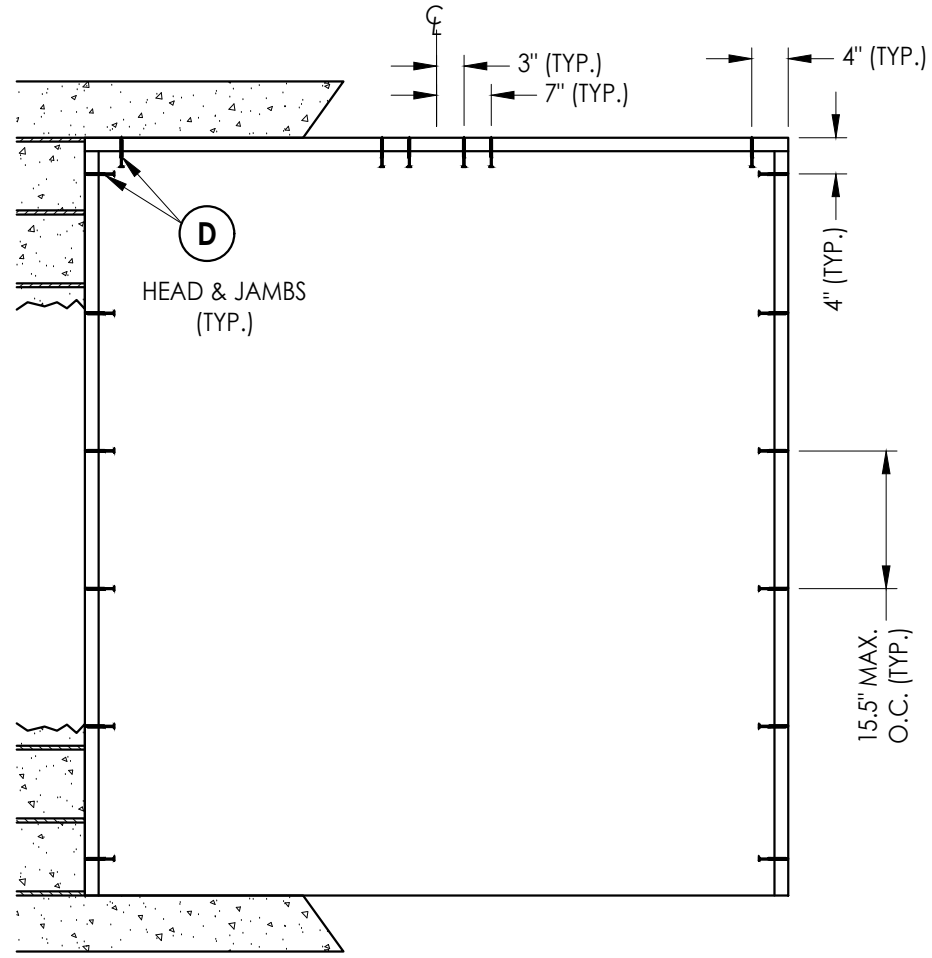
**RW** BUILDING CONSULTANTS, INC.  
 P.O. Box 230, Valrico, FL 33595  
 Phone No.: 813.659.9197  
 FBPE Registry No. 9813

PRODUCT: TRINITY GLASS INT'L

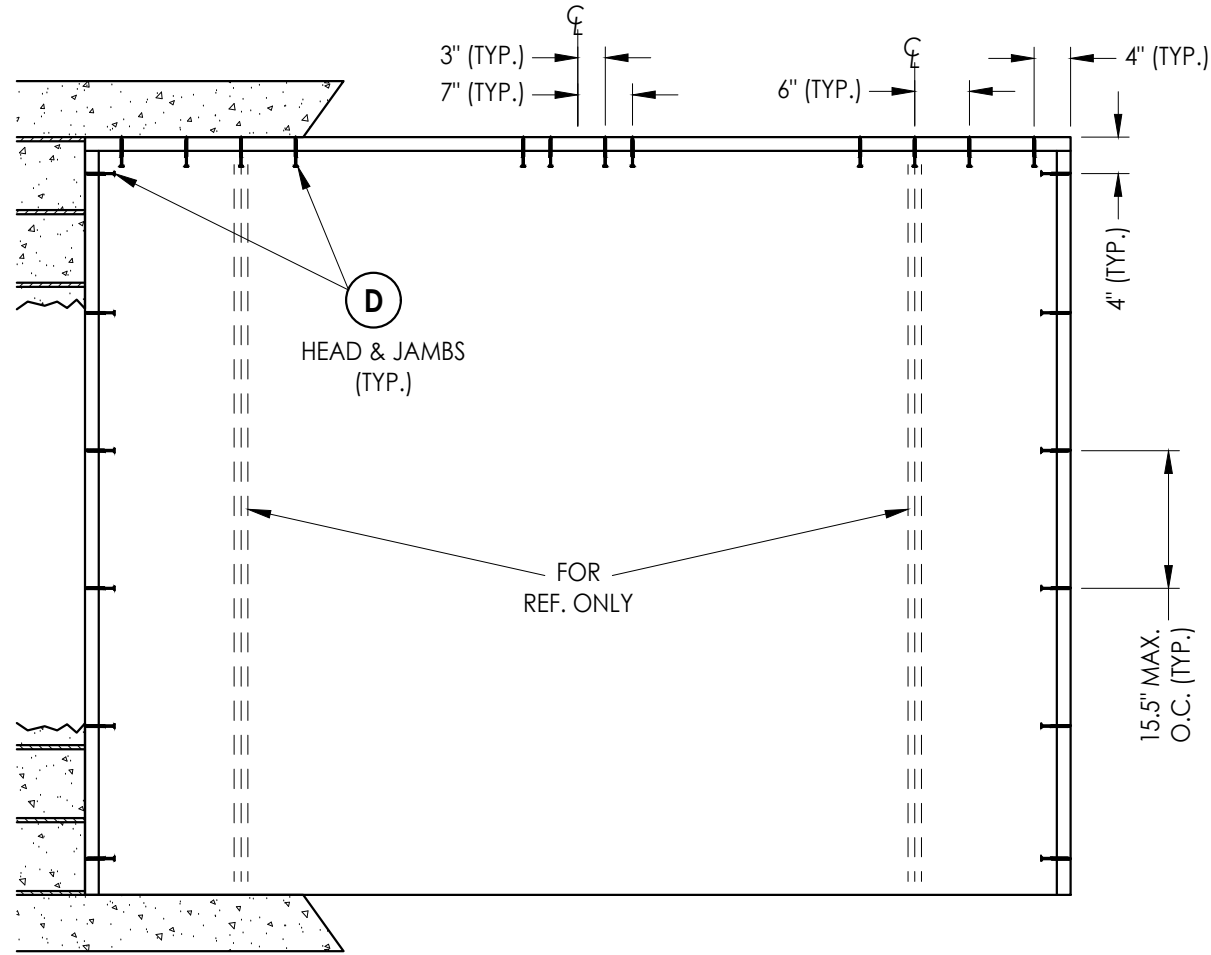
PART OR ASSEMBLY:  
 VERTICAL CROSS SECTIONS

NO.	DATE	DESCRIPTION	BY
3	8/01/23	UPDATE TO 8TH ED. (2023) FBC	LFS
2	8/11/20	UPDATE TO 7th ED. (2020) FBC & REVISE ENDURA ULT. ASTRAGAL	DAC
1	2/04/20	DEFINE MODEL DESCRIPTION	RW

DATE: 12/8/17  
 SCALE: N.T.S.  
 DWG. BY: JK  
 CHK. BY: LFS  
 DRAWING NO.: FL-25575.3  
 SHEET 9 OF 13



**BUCK ANCHORING**



**BUCK ANCHORING**

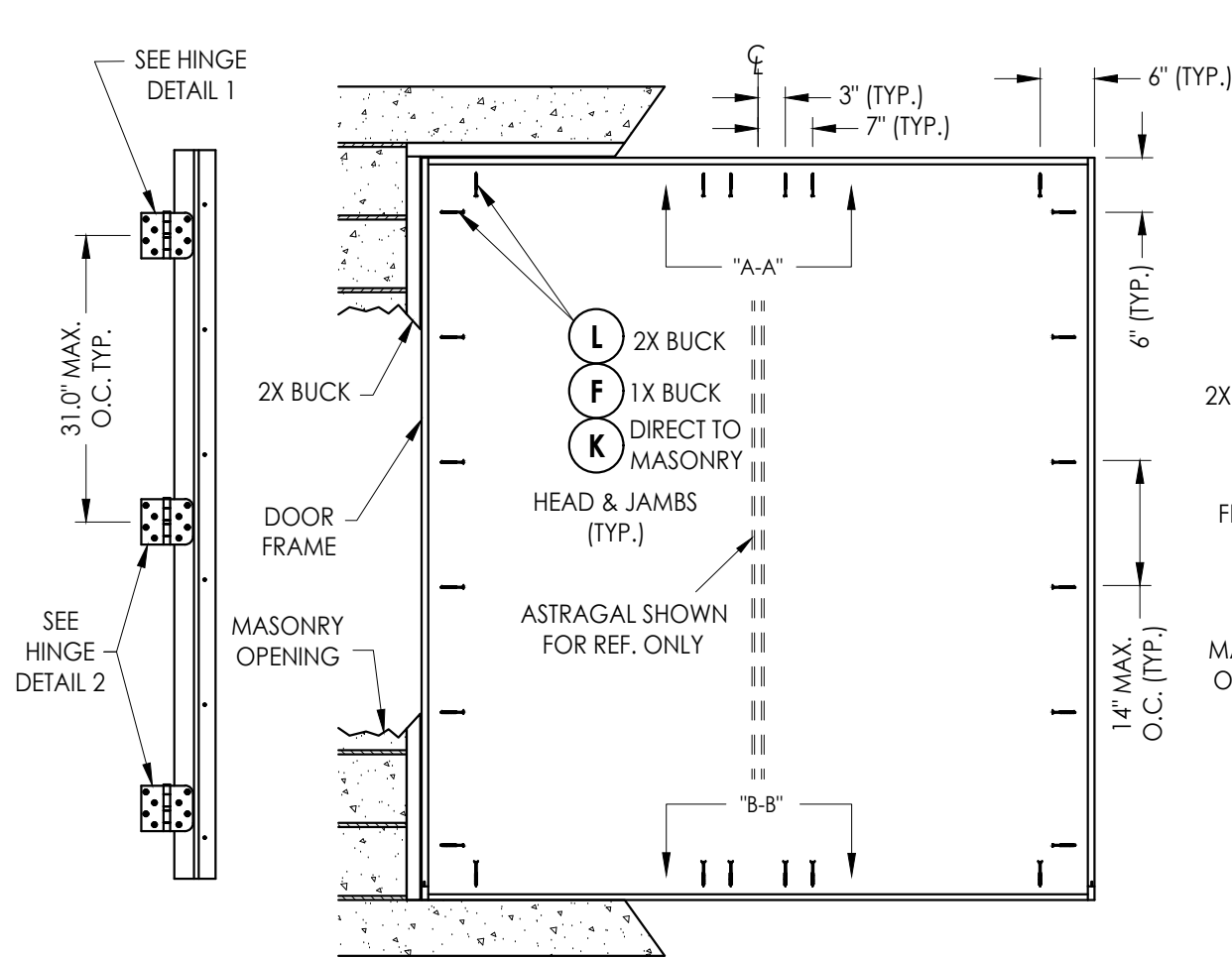
DATE:	12/8/17
SCALE:	N.T.S.
DWG. BY:	JK
CHK. BY:	LFS
DRAWING NO.:	FL-25575.3
SHEET	10 OF 13

NO.	DATE	REVISIONS
3	8/01/23	UPDATE TO 8TH ED. (2023) FBC LFS
2	8/11/20	UPDATE TO 7th ED. (2020) FBC DAC
		& REVISE ENDURA ULT. ASTRAGAL
1	2/04/20	DEFINE MODEL DESCRIPTION RW
		BY

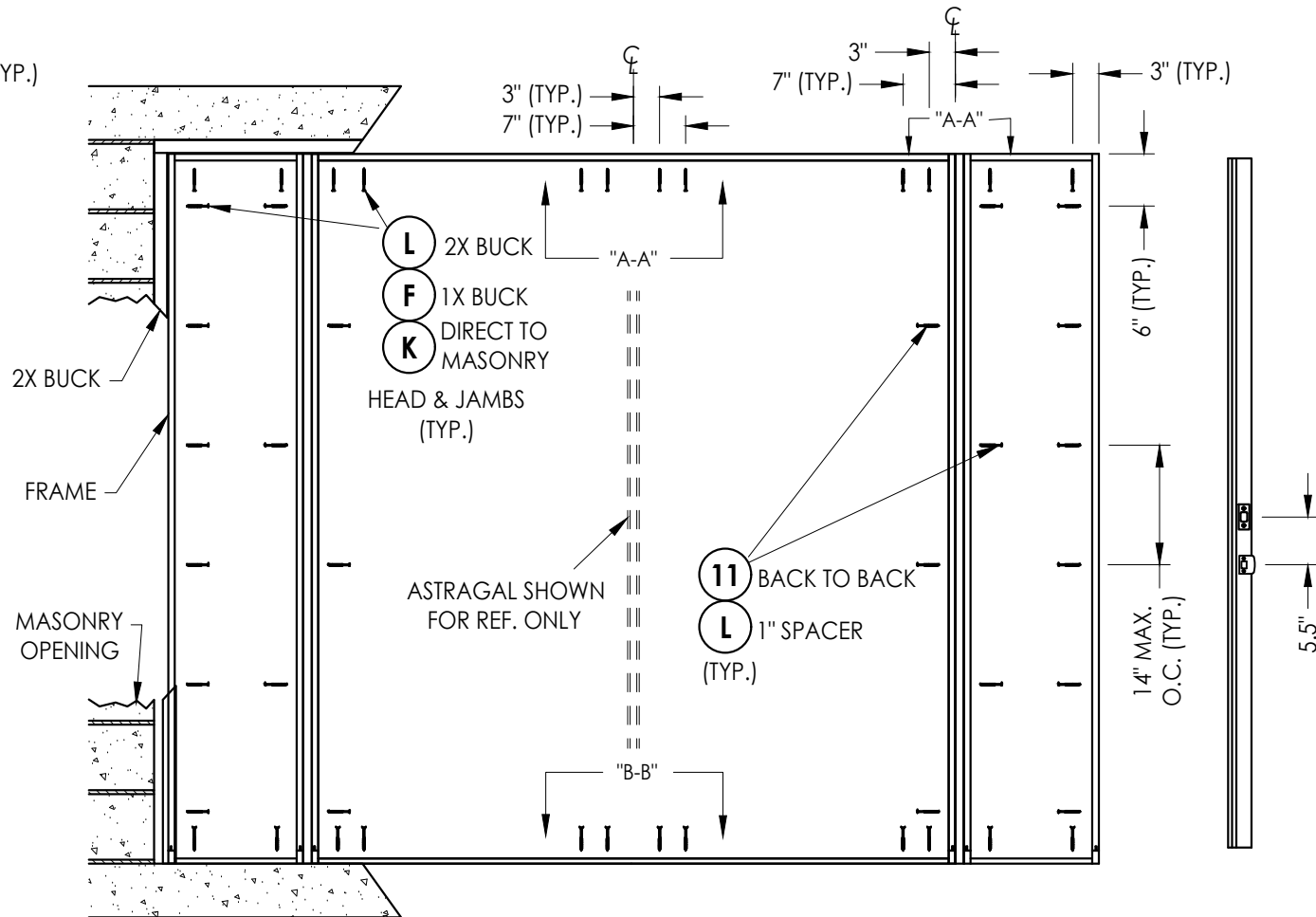
PRODUCT:	TRINITY GLASS INT'L
PART OR ASSEMBLY:	BUCK ANCHORING

Documents Prepared By:  
 Lyndon F. Schmidt  
 P.E. No. 43409

**RW** BUILDING CONSULTANTS, INC.  
 P.O. Box 230, Valrico, FL 33595  
 Phone No.: 813.659.9197  
 FBPE Registry No. 9813



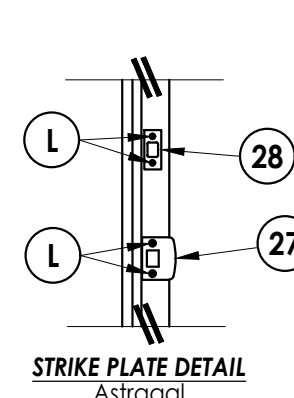
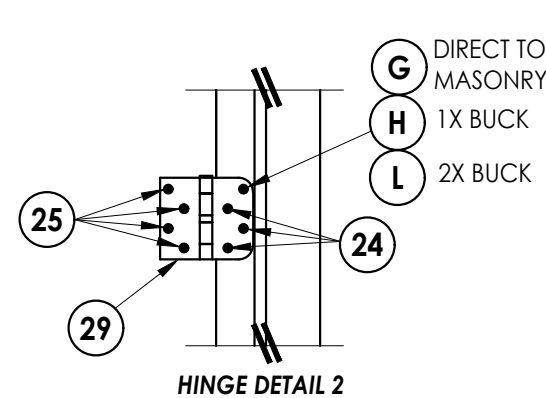
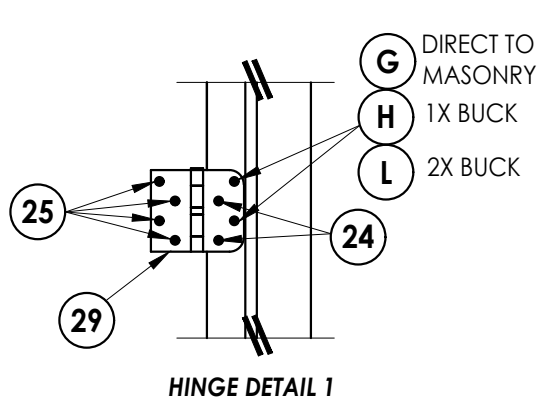
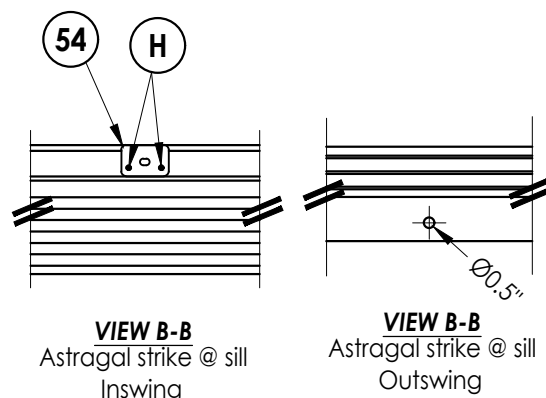
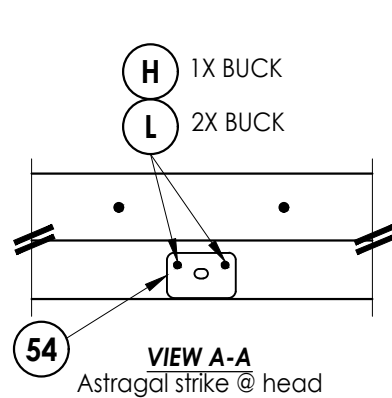
**HINGE JAMB**



**FRAME ANCHORING**

**FRAME ANCHORING**

**ASTRAGAL STRIKE JAMB**



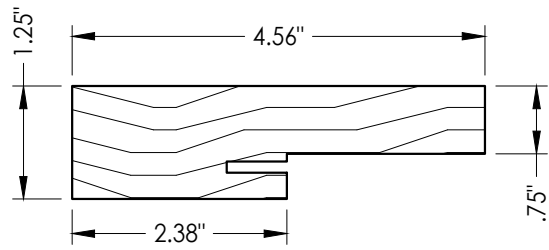
Documents Prepared By:  
Lyndon F. Schmidt  
P.E. No. 43409

**RW** BUILDING CONSULTANTS, INC.  
P.O. Box 230, Valrico, FL 33595  
Phone No.: 813.659.9197  
FBPE Registry No. 9813

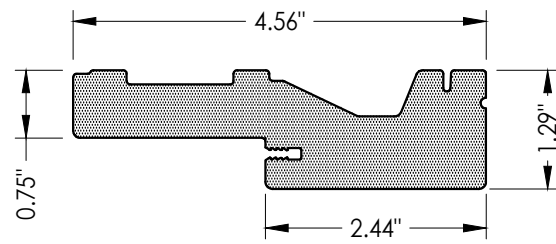
PRODUCT: TRINITY GLASS INT'L  
PART OR ASSEMBLY: FRAME ANCHORING

NO.	DATE	DESCRIPTION	BY
3	8/01/23	UPDATE TO 8TH ED. (2023) FBC	LFS
2	8/11/20	UPDATE TO 7th ED. (2020) FBC	DAC
1	2/04/20	DEFINE ENDURA ULT. ASTRAGAL	RW

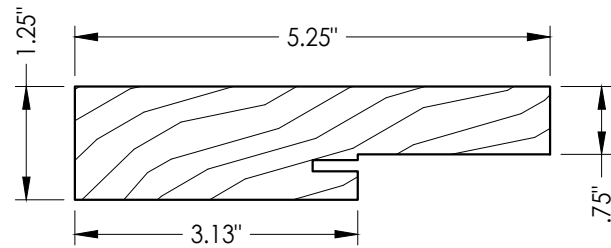
DATE: 12/8/17  
SCALE: N.T.S.  
DWG. BY: JK  
CHK. BY: LFS  
DRAWING NO.: FL-25575.3  
SHEET 11 OF 13



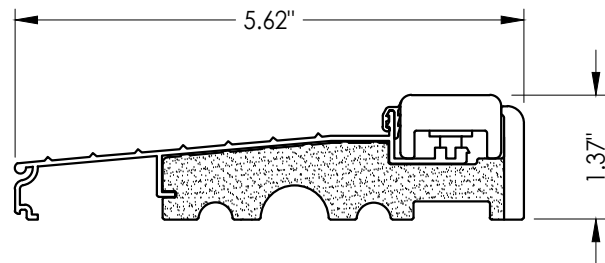
**1 HEAD AND JAMBS**  
Wood



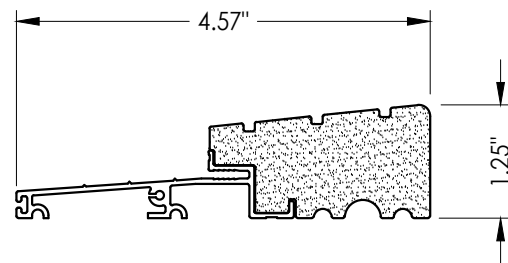
**2 HEAD AND JAMBS**  
PVC



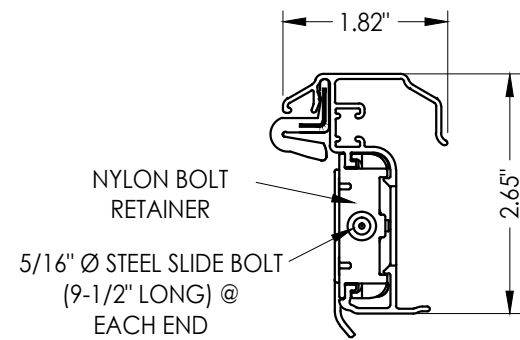
**3 HEAD AND JAMBS**  
Wood



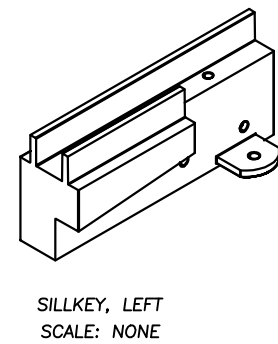
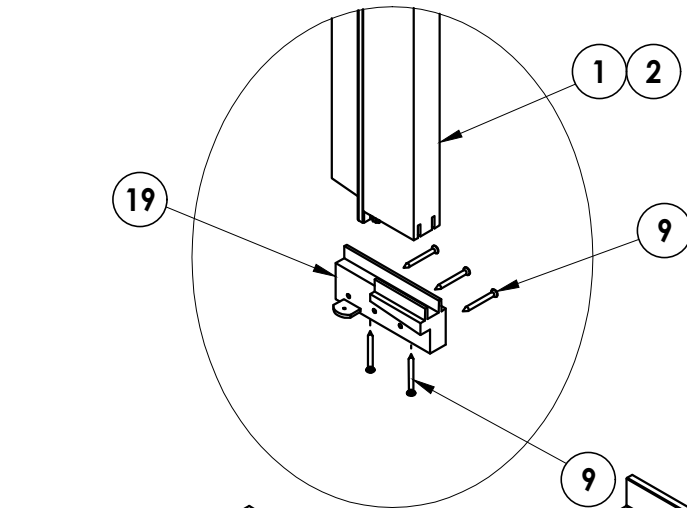
**31 INSWING THRESHOLD**



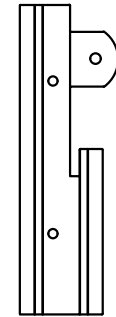
**32 OUTSWING THRESHOLD**  
High-dam



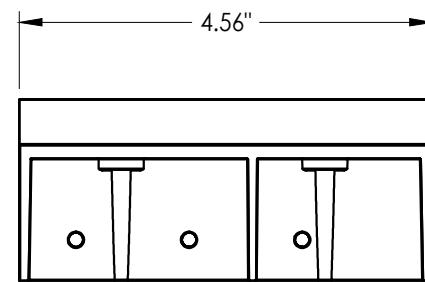
**53 ULTIMATE HURRICANE ASTRAGAL**  
By Endura Products



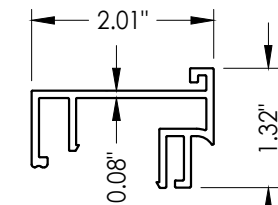
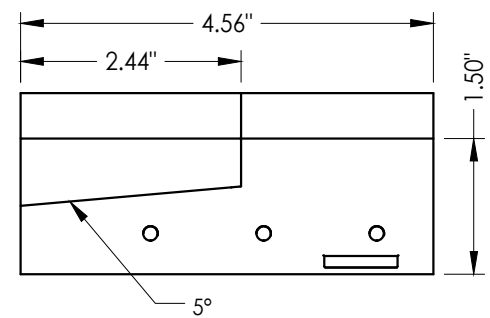
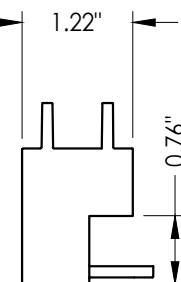
SILLKEY, LEFT  
SCALE: NONE



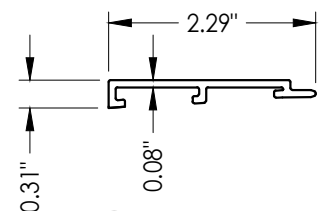
SILLKEY, RIGHT  
SCALE: NONE



**19 SILLKEY DETAILS**  
Optional



**32 SIDELITE SPACER**  
Inswing



**34 SIDELITE SPACER**  
Outswing

Documents Prepared By:  
Lyndon F. Schmidt  
P.E. No. 43409

**RW** BUILDING CONSULTANTS, INC.  
P.O. Box 230, Vairico, FL 33595  
Phone No.: 813.659.9197  
FBPE Registry No. 9813

PRODUCT: TRINITY GLASS INT'L

PART OR ASSEMBLY:  
COMPONENTS

NO.	DATE	REVISIONS
3	8/01/23	UPDATE TO 8TH ED. (2023) FBC LFS
2	8/11/20	UPDATE TO 7th ED. (2020) FBC DAC & REVISE ENDURA ULT. ASTRAGAL
1	2/04/20	DEFINE MODEL DESCRIPTION RW
		BY

DATE: 12/8/17

SCALE: N.T.S.

DWG. BY: JK

CHK. BY: LFS

DRAWING NO.:

FL-25575.3

SHEET 12 OF 13

**BILL OF MATERIALS**

ITEM #	DESCRIPTION	MATERIAL
A	1X BUCK SG >= 0.42	WOOD
B	2X BUCK SG >= 0.42	WOOD
C	1/4" MAX. SHIM SPACE	-
D	1/4" X 2-3/4" PFH DeWALT OR ITW CONCRETE SCREW	STEEL
E	MASONRY - 3,000 PSI MIN. CONCRETE CONFORMING TO ACI 301 OR HOLLOW BLOCK CONFORMING TO ASTM C90	CONCRETE
F	1/4" X 3-3/4" PFH ITW CONCRETE SCREW	STEEL
G	3/16" X 3-1/4" PFH ITW CONCRETE SCREW	STEEL
H	3/16" X 3-1/4" PFH ITW CONCRETE SCREW	STEEL
K	1/4" X 2-3/4" PFH DeWALT CONCRETE SCREW	STEEL
L	#10 X 2-1/2" PFH WS (1.15" MIN. EMBEDMENT)	STEEL
P	1/4" X 2-3/4" PFH DeWALT OR ITW CONCRETE SCREW	STEEL
1	HEAD & JAMB (FINGER-JOINT PINE - SG >= 0.42)	WOOD
2	HEAD & JAMB	PVC
3	HEAD & JAMB (5.25") (FINGER-JOINT PINE - SG >= 0.42)	WOOD
6	1" SPACER (FINGER-JOINT PINE - SG >= 0.42)	WOOD
7	WEATHERSTRIP QEBD650 Q-LON	FOAM
8	DOOR BOTTOM SWEEP	PVC
9	#6 X 1-1/4 PFH DRYWALL SCREW	STEEL
11	#9 X 2-1/4" PFH WOOD SCREW	STEEL
19	SILLKEY	PC/ASA
24	#9 X 5/8" PFH WS	STEEL
25	#9 X 1" PFH WS	STEEL
26	#9 X 2" PFH WS	STEEL
27	STRIKE PLATE	STEEL
28	DEADBOLT STRIKE PLATE	STEEL
29	4" X 4" HINGE	STEEL
31	INSWING THRESHOLD ALUMINUM W/ COMPOSITE SUBSTRATE	ALUM./ COMP.
32	SIDELITE SPACER - INSWING	PVC
33	OUTSWING HIGH-DAM THRESHOLD ALUMINUM W/ COMPOSITE SUBSTRATE	ALUM./ COMP.
34	SIDELITE SPACER - OUTSWING	PVC
40	DOOR PANEL - (LIGHTHOUSE)	-
53	ASTRAGAL	ALUM
54	ASTRAGAL STRIKE PLATE	STEEL
62	QUARTER ROUND	PVC
70	SIDELITE	-

**CONCRETE ANCHOR NOTES:**

- Concrete anchor locations at the corners may be adjusted to maintain the min. edge distance to mortar joints.
- Concrete anchor locations noted as "MAX. ON CENTER" must be adjusted to maintain the min. edge distance to mortar joints, additional concrete anchors may be required to ensure the "MAX. ON CENTER" dimension are not exceeded.
- Concrete anchor table:

ANCHOR TYPE	ANCHOR SIZE	MIN. EMBEDMENT	MIN. CLEARANCE TO MASONRY EDGE	MIN. CLEARANCE TO ADJACENT ANCHOR
ITW BUILDDEX TAPCON®	3/16" 1/4"	1-1/4" 1-1/4"	AS SHOWN 2"	1-1/2" 4"
DeWALT ULTRACON®	1/4"	1-1/4"	1"	4"

**WOOD SCREW INSTALLATION NOTES:**

- Maintain a minimum 5/8" edge distance, 1" end distance, & 1" o.c. spacing of wood screws to prevent the splitting of wood.

Documents Prepared By:

Lyndon F. Schmidt  
P.E. No. 43409

**RW**  
BUILDING CONSULTANTS, INC.  
P.O. Box 230, Valrico, FL 33595  
Phone No.: 813.659.9197  
FBPE Registry No. 9813

PRODUCT: TRINITY GLASS INT'L

PART OR ASSEMBLY:  
BILL OF MATERIALS

NO.	DATE	DEFINE MODEL DESCRIPTION	RW	BY
3	8/01/23	UPDATE TO 8TH ED. (2023) FBC	LFS	
2	8/11/20	UPDATE TO 7th ED. (2020) FBC & REVISE ENDURA ULT. ASTRAGAL	DAC	
1	2/04/20	DEFINE MODEL DESCRIPTION	RW	

REVISIONS

DATE:	12/8/17
SCALE:	N.T.S.
DWG. BY:	JK
CHK. BY:	LFS
DRAWING NO.:	FL-25575.3
SHEET	13 of 13