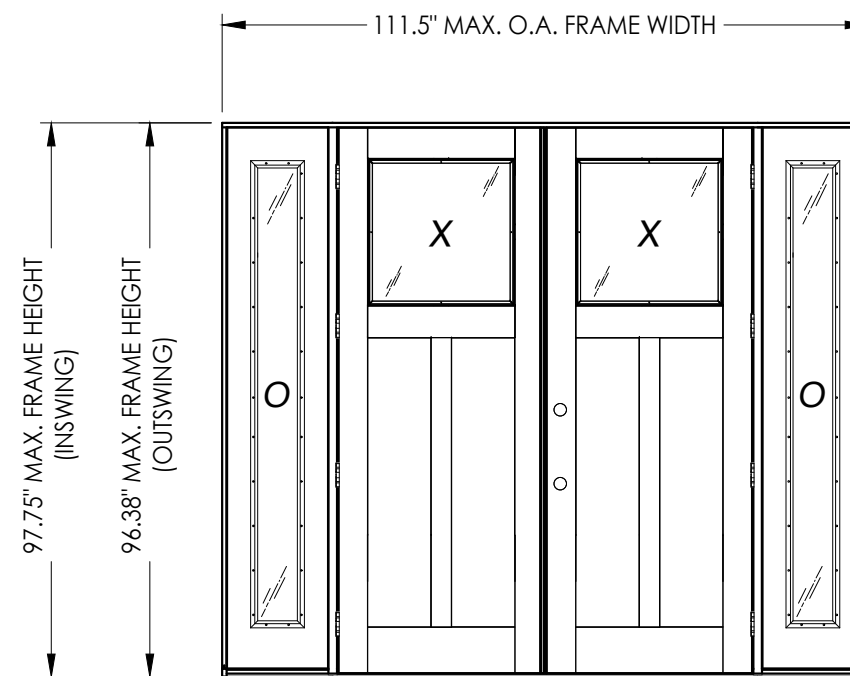


"Lighthouse" GLAZED FIBERGLASS DOUBLE DOOR w/ SIDELITES "NON-IMPACT" INSWING / OUTSWING

GENERAL NOTES

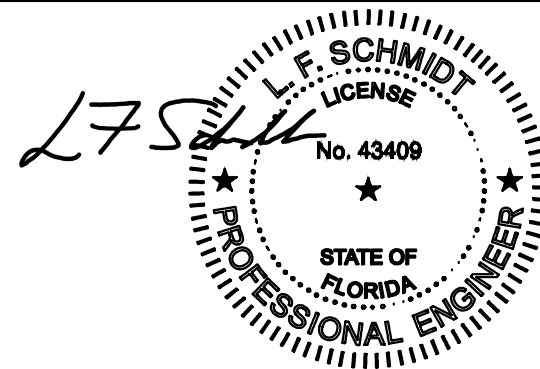
1. This product has been evaluated and is in compliance with the 8th Edition (2023) Florida Building Code (FBC) structural requirements excluding the "High Velocity Hurricane Zone" (HVHZ).
2. Product anchors shall be as listed and spaced as shown on details. Anchor embedment to base material shall be beyond wall dressing or stucco.
3. When used in areas requiring wind borne debris protection, this product is required to be protected with an impact resistant covering that complies with FBC Sections 1609.1.2 & R301.2.1.2.
4. For 2x stud framing construction, anchoring of these units shall be the same as that shown for 2x buck masonry construction.
5. Site conditions that deviate from the details of this drawing require further engineering analysis by a licensed engineer or registered architect.

TABLE OF CONTENTS	
SHEET#	DESCRIPTION
1	Typical elevations, design pressures & general notes
2	Door panel details
3	Sidelite panel details (Lip Lite Frame)
4	Sidelite panel details (Flush Glazing Frame)
5	Elevations
6	Horizontal and vertical cross sections (2x buck)
7	Horizontal and vertical cross sections (1x buck)
8	Horizontal and vertical cross sections (Direct to Masonry)
9	Horizontal cross sections
10	Vertical cross sections
11	Buck anchoring
12	Frame anchoring
13	Components
14	Bill of materials



Continuous Head and Sill

CONFIGURATION	FRAME MATERIAL	DESIGN PRESSURE (PSF) INSWING		DESIGN PRESSURE (PSF) OUTSWING	
		POSITIVE	NEGATIVE	POSITIVE	NEGATIVE
OXXO	FJ PINE	+45.0	-45.0	+45.0	-45.0
OXXO	COMPOSITE	+45.0	-45.0	+45.0	-45.0



This item has been digitally signed and sealed by L. F. Schmidt, P.E. on the date adjacent to the seal. Printed copies of this document are not considered signed and sealed and the signature must be verified on any electronic copies.

THIS PRODUCT APPROVAL IS VALID ONLY FOR THE STATE OF FLORIDA

Documents Prepared By:
Lyndon F. Schmidt
P.E. No. 43409

RW BUILDING CONSULTANTS, INC.
P.O. Box 230, Valrico, FL 33595
Phone No.: 813.659.9197
FBPE Registry No. 9813

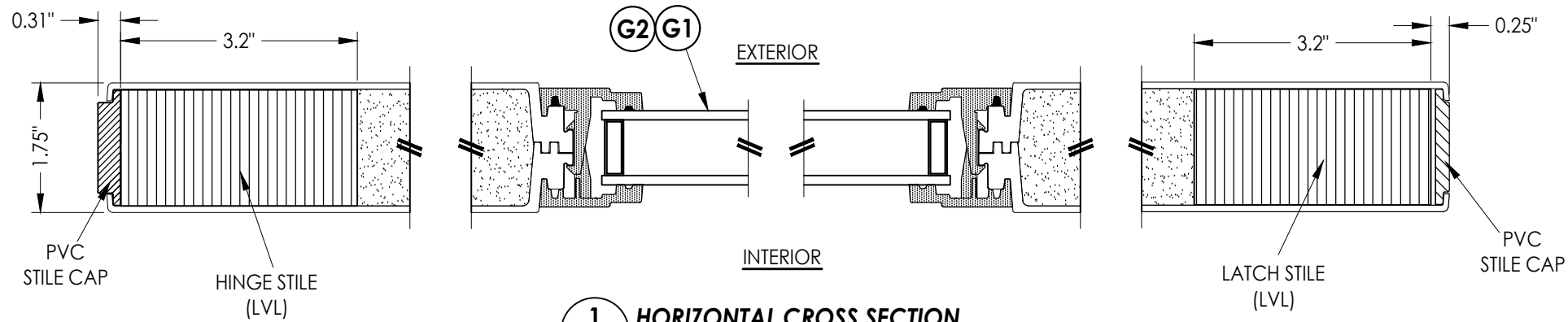
PRODUCT: TRINITY GLASS INT'L

PART OR ASSEMBLY: TYPICAL ELEVATION, DESIGN PRESSURES & GENERAL NOTES

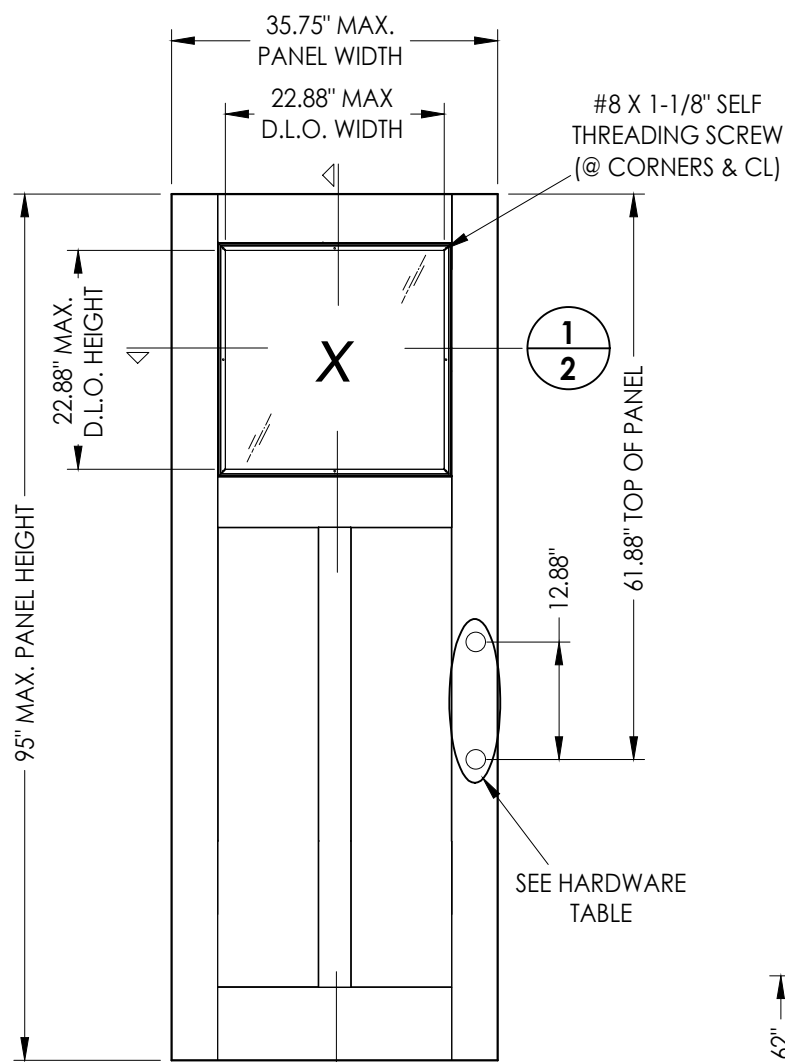
NO.	DATE	REVISIONS
2	8/01/23	UPDATE TO 8TH ED. (2023) FBC LFS
1	8/11/20	UPDATE TO 7th ED. (2020) FBC DAC & REVISE ENDURA ULT. -ASTRAGAL

DATE: 1/28/20
SCALE: N.T.S.
DWG. BY: TRJ
CHK. BY: LFS
DRAWING NO.: FL-25575.6
SHEET 1 OF 14

Z:\2023 FBC Drawings\Trinity Glass Int'l\FL-25575 R5\FL-25575.5-6.dwg

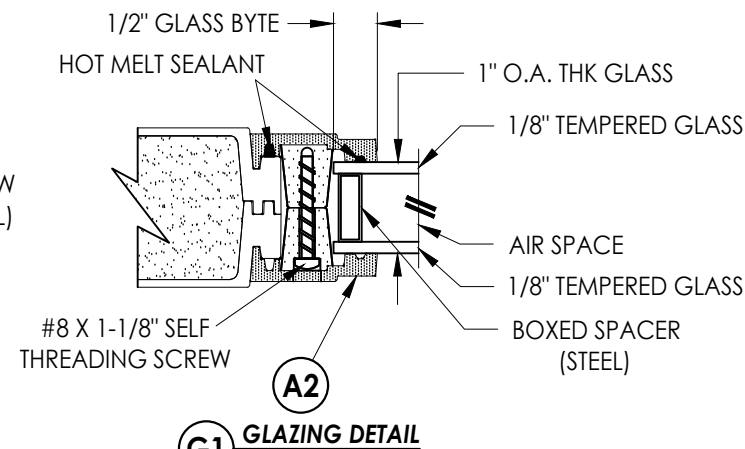


1
2 **HORIZONTAL CROSS SECTION**

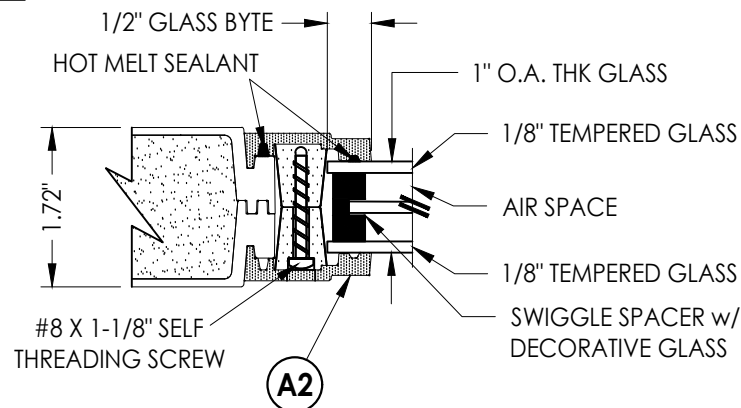


40 **GLAZED DOOR PANEL**
LIGHTHOUSE

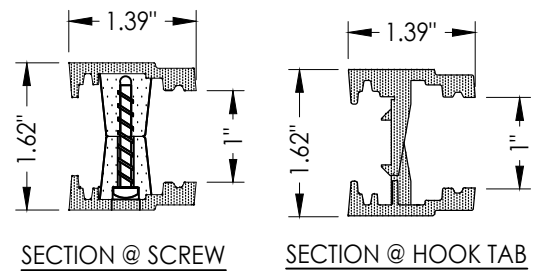
DOOR SKIN: 0.079" MIN. THK. FIBERGLASS
CORE MATERIAL: POLYURETHANE FOAM



G1 **GLAZING DETAIL**

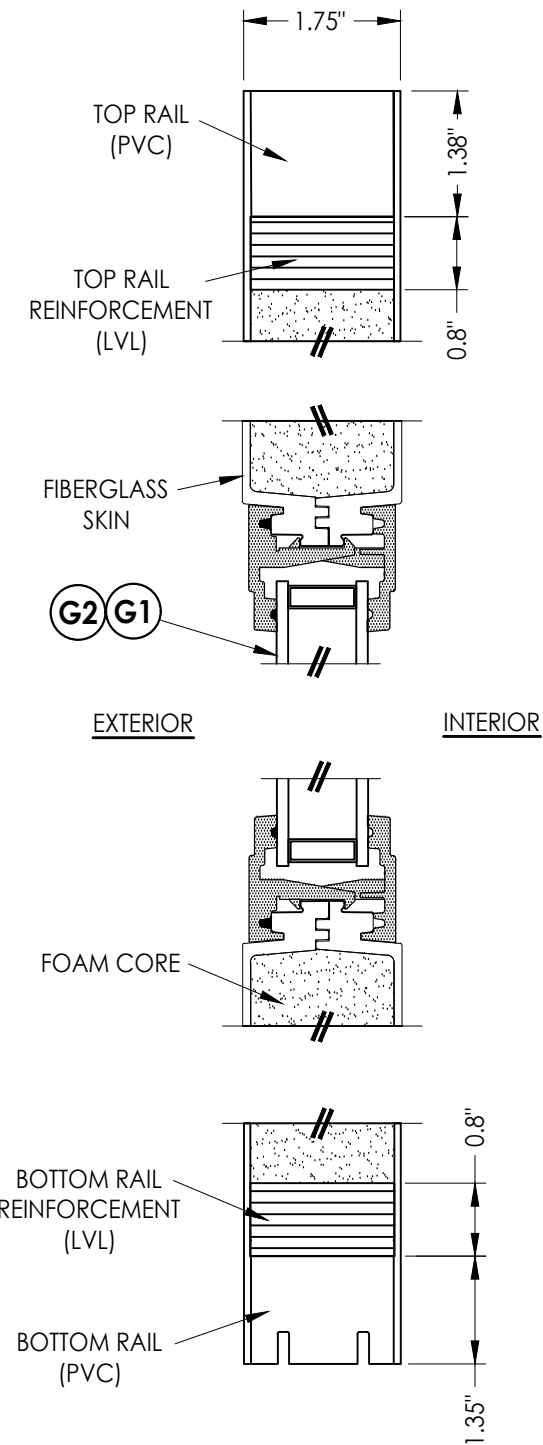


G2 **GLAZING DETAIL**
DECORATIVE GLASS



A2 **FLUSH GLAZING FRAME**
FIBERGLASS

HARDWARE CHART	
MANUFACTURER	MODEL
KWIKSET	KNOB: SIGNATURE SERIES
	DEADBOLT: SIGNATURE SERIES (980)
SCHLAGE	KNOB: F SERIES
	DEADBOLT: B60 SERIES



2
2 **VERTICAL CROSS SECTION**

Documents Prepared By:
Lyndon F. Schmidt
P.E. No. 43409

RW BUILDING CONSULTANTS, INC.
P.O. Box 230, Valrico, FL 33595
Phone No.: 813.659.9197
FBPE Registry No. 9813

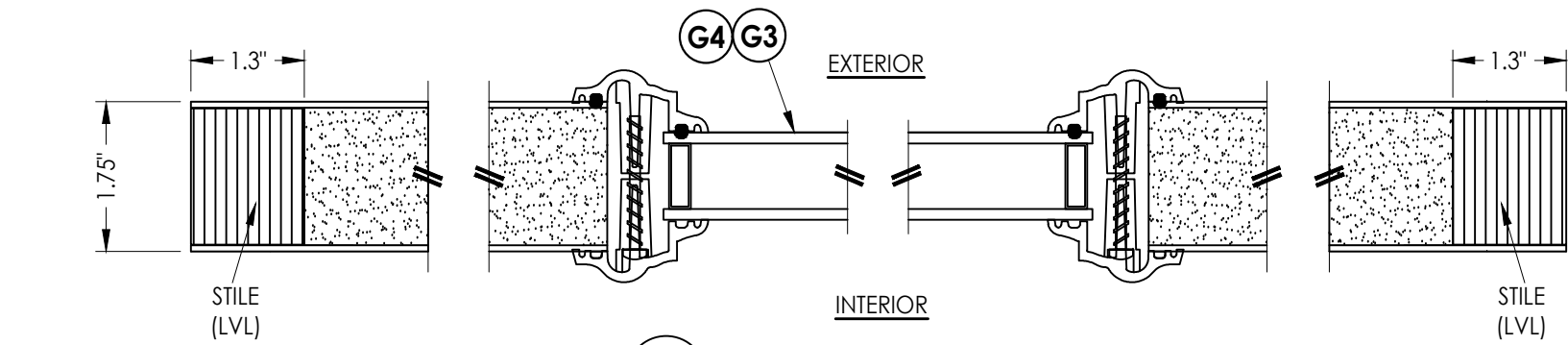
PRODUCT: TRINITY GLASS INT'L

PART OR ASSEMBLY:
DOOR PANEL DETAILS

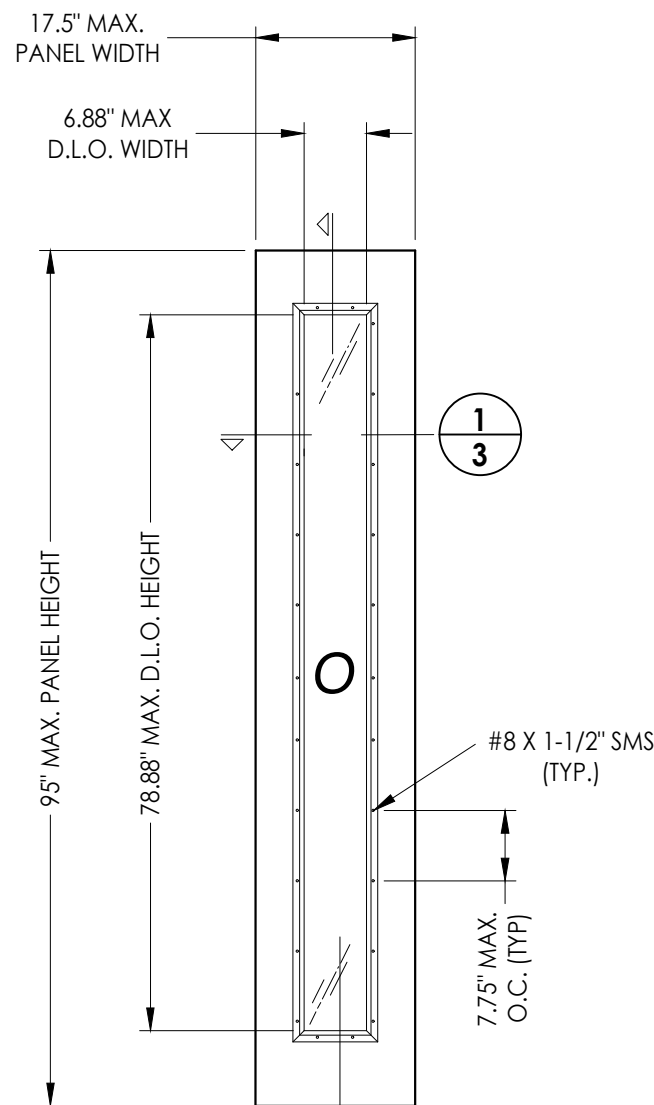
NO.	DATE	BY
2	8/01/23	UPDATE TO 8TH ED. (2023) FBC LFS
1	8/11/20	UPDATE TO 7th ED. (2020) FBC DAC
		& REVISE ENDURA ULT. ASTRAGAL

DATE:	1/28/20
SCALE:	N.T.S.
DWG. BY:	TRJ
CHK. BY:	LFS
DRAWING NO.:	FL-25575.6
SHEET	2 OF 14

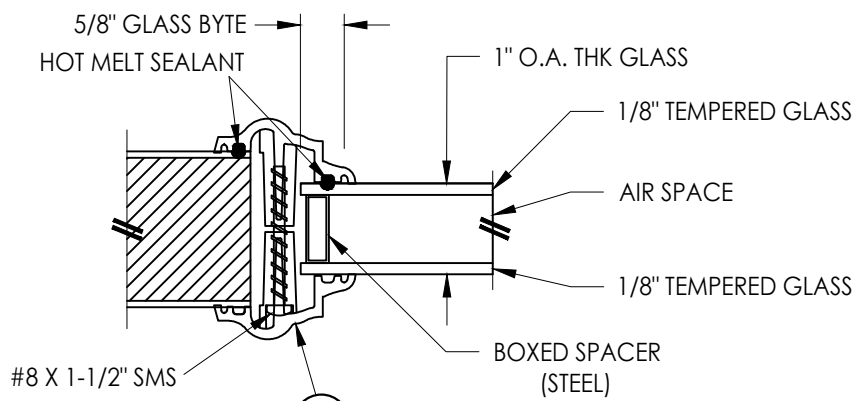
© 2020 R.W. BUILDING CONSULTANTS INC.



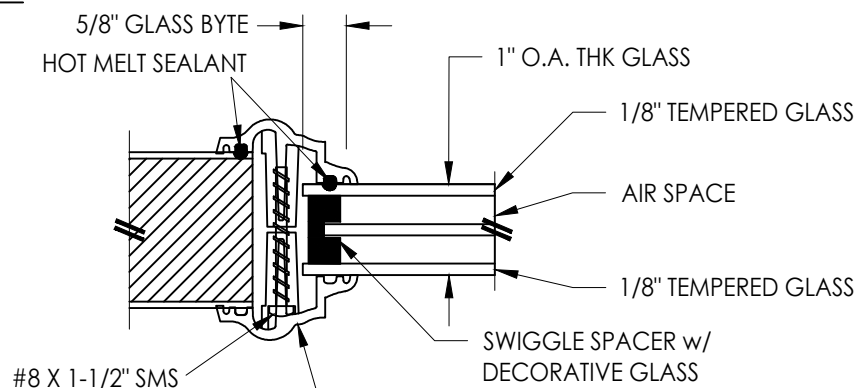
1
3 **HORIZONTAL CROSS SECTION**



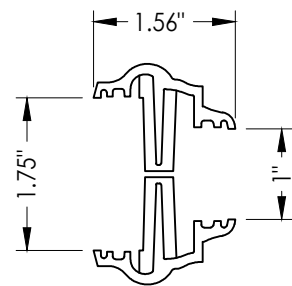
50 **SIDELITE PANEL**
LIGHTHOUSE



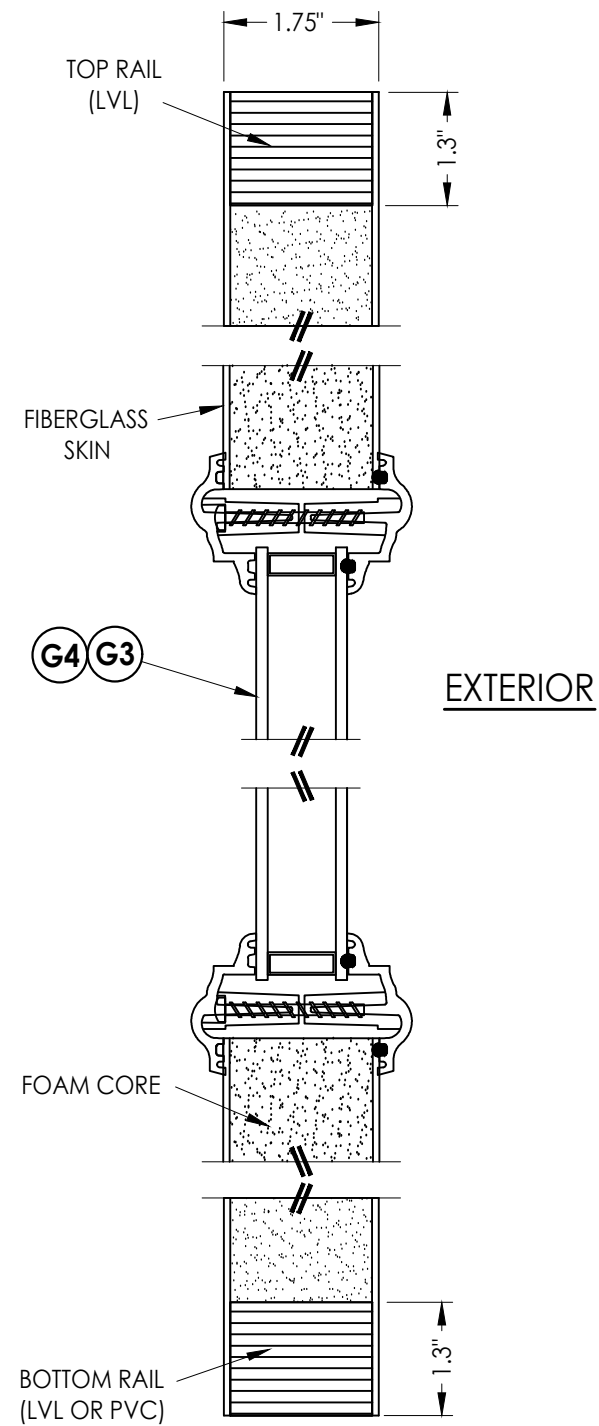
G3 **GLAZING DETAIL**



G4 **GLAZING DETAIL**
DECORATIVE GLASS



A3 **FRAME**
HP POLYPROPYLENE



2
3 **VERTICAL CROSS SECTION**

DOOR SKIN: 0.079" MIN. THK. FIBERGLASS
CORE MATERIAL: POLYURETHANE FOAM

Documents Prepared By:
Lyndon F. Schmidt
P.E. No. 43409

RW BUILDING CONSULTANTS, INC.
P.O. Box 230, Valrico, FL 33595
Phone No.: 813.659.9197
FBPE Registry No. 9813

PRODUCT: TRINITY GLASS INT'L

PART OR ASSEMBLY:
SIDELITE PANEL DETAILS

NO.	DATE	REVISIONS
2	8/01/23	UPDATE TO 8TH ED. (2023) FBC LFS
1	8/11/20	UPDATE TO 7th ED. (2020) FBC DAC
		& REVISE ENDURA ULT. ASTRAGAL

DATE: 1/28/20

SCALE: N.T.S.

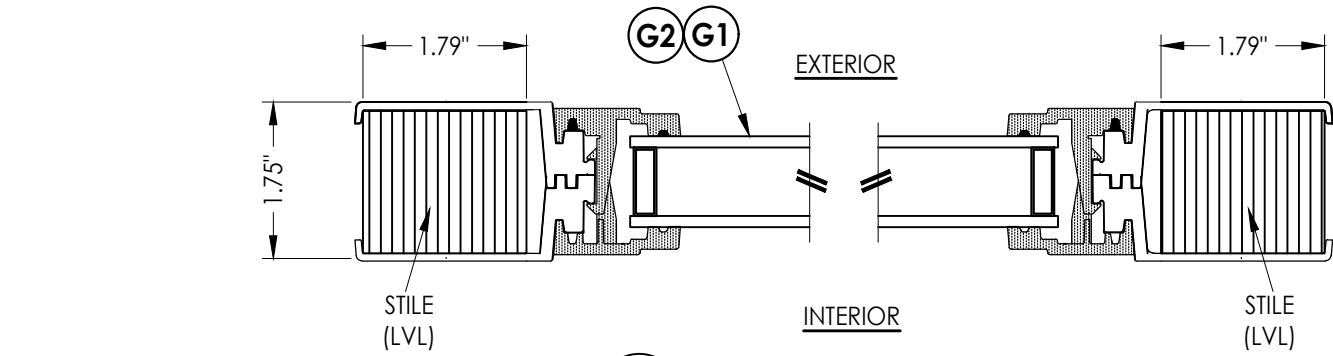
DWG. BY: TRJ

CHK. BY: LFS

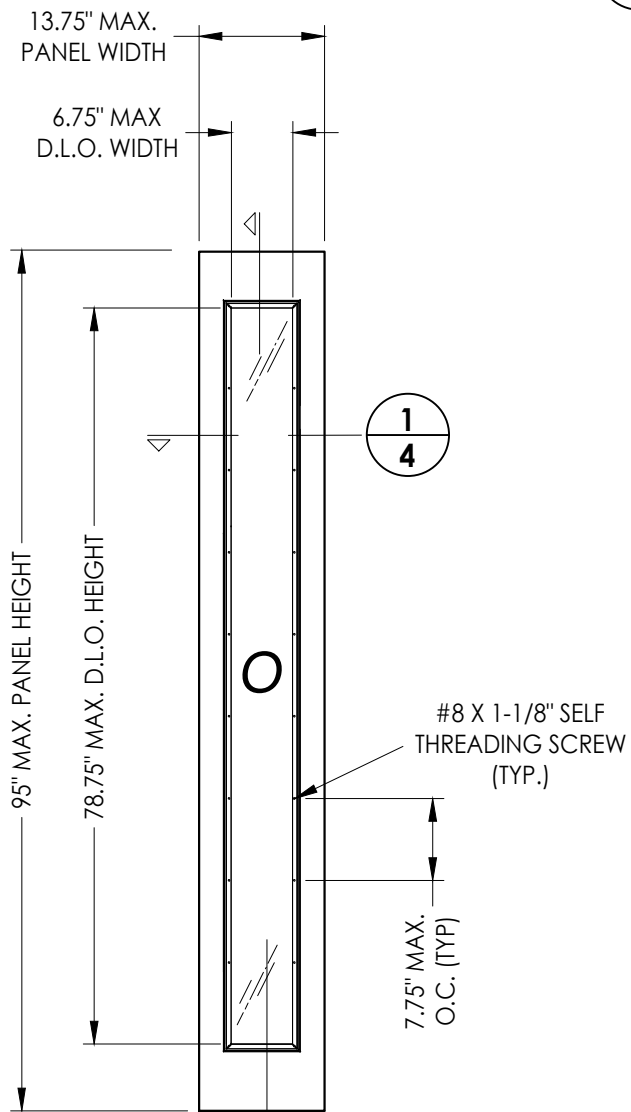
DRAWING NO.:

FL-25575.6

SHEET 3 OF 14

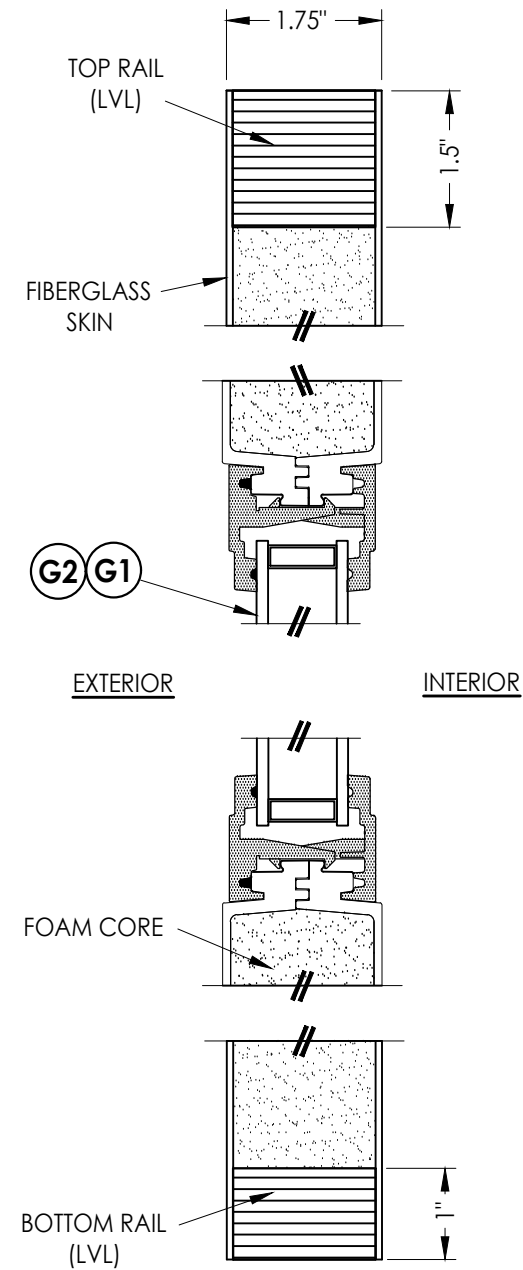


1
4 **HORIZONTAL CROSS SECTION**



2
4 **60 SIDELITE PANEL**
LIGHHOUSE

DOOR SKIN: 0.079" MIN. THK. FIBERGLASS
CORE MATERIAL: POLYURETHANE FOAM



2
4 **VERTICAL CROSS SECTION**

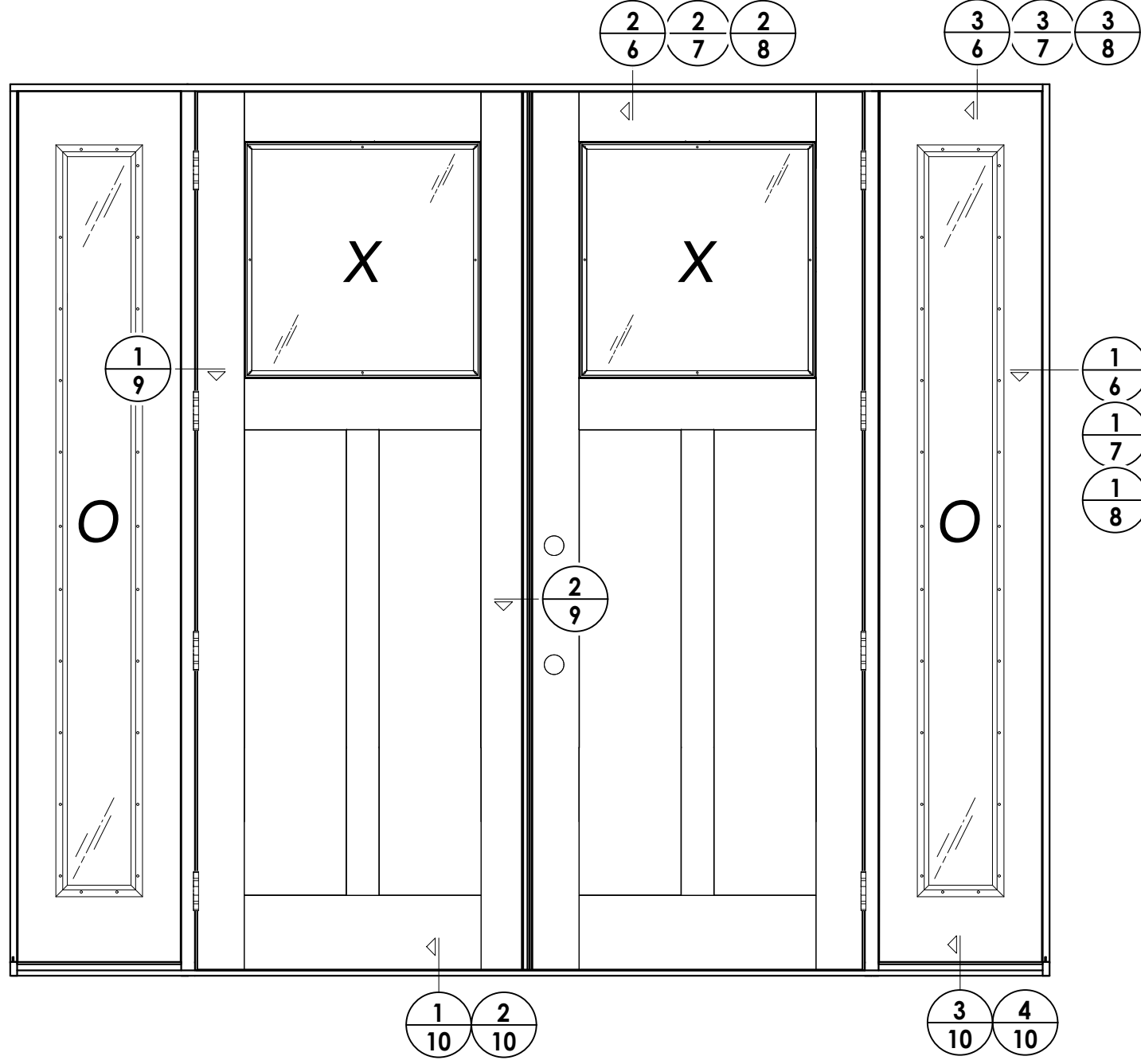
Documents Prepared By:
Lyndon F. Schmidt
P.E. No. 43409

RW BUILDING CONSULTANTS, INC.
P.O. Box 230, Vairico, FL 33595
Phone No.: 813.659.9197
FBPE Registry No. 9813

PRODUCT:	TRINITY GLASS INT'L
PART OR ASSEMBLY:	SIDELITE PANEL DETAILS (FLUSH GLAZING FRAME)

NO.	DATE	REVISIONS	BY
2	8/01/23	UPDATE TO 8TH ED. (2023)	FBC
1	8/11/20	UPDATE TO 7th ED. (2020)	FBC
		& REVISE ENDURA ULT. ASTRAGAL	


DATE:	1/28/20
SCALE:	N.T.S.
DWG. BY:	TRJ
CHK. BY:	LFS
DRAWING NO.:	FL-25575.6
SHEET	4 OF 14

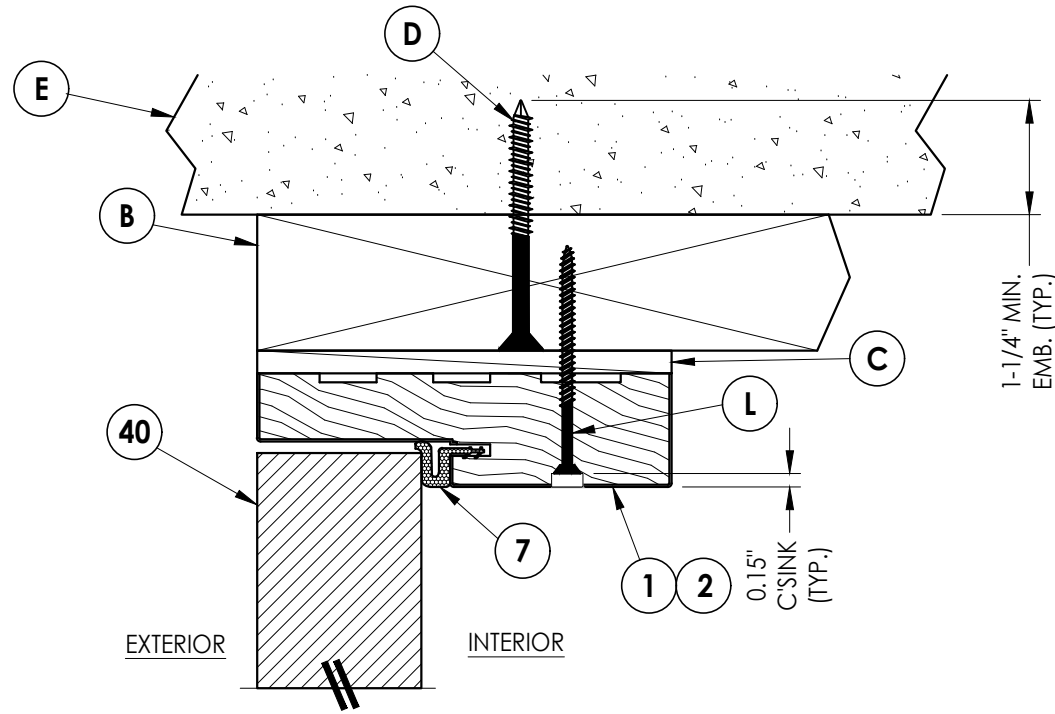


DATE: 1/28/20
 SCALE: N.T.S.
 DWG. BY: TRJ
 CHK. BY: LFS
 DRAWING NO.: FL-25575.6
 SHEET 5 of 14

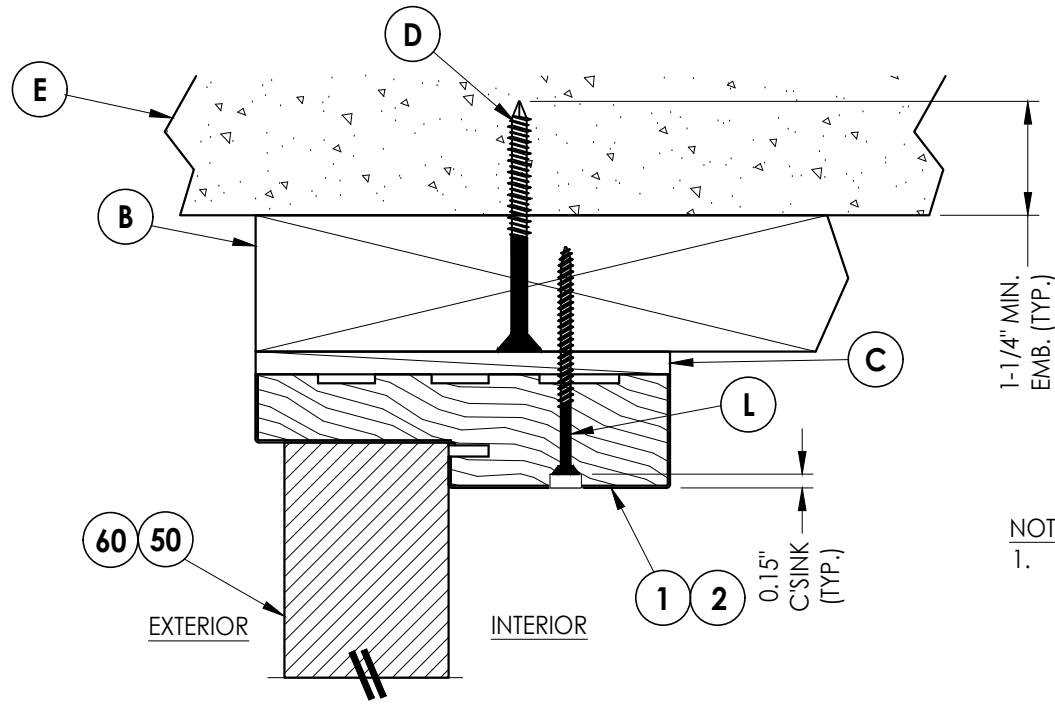
NO.	DATE	REVISIONS	BY
2	8/01/23	UPDATE TO 8TH ED. (2023) FBC	LFS
1	8/11/20	UPDATE TO 7th ED. (2020) FBC & REVISE ENDURA ULT. ASTRAGAL	DAC

PRODUCT: TRINITY GLASS INT'L
 PART OR ASSEMBLY: ELEVATIONS

Documents Prepared By:
 Lyndon F. Schmidt
 P.E. No. 43409

 BUILDING CONSULTANTS, INC.
 P.O. Box 230, Valrico, FL 33595
 Phone No.: 813.659.9197
 FBPE Registry No. 9813

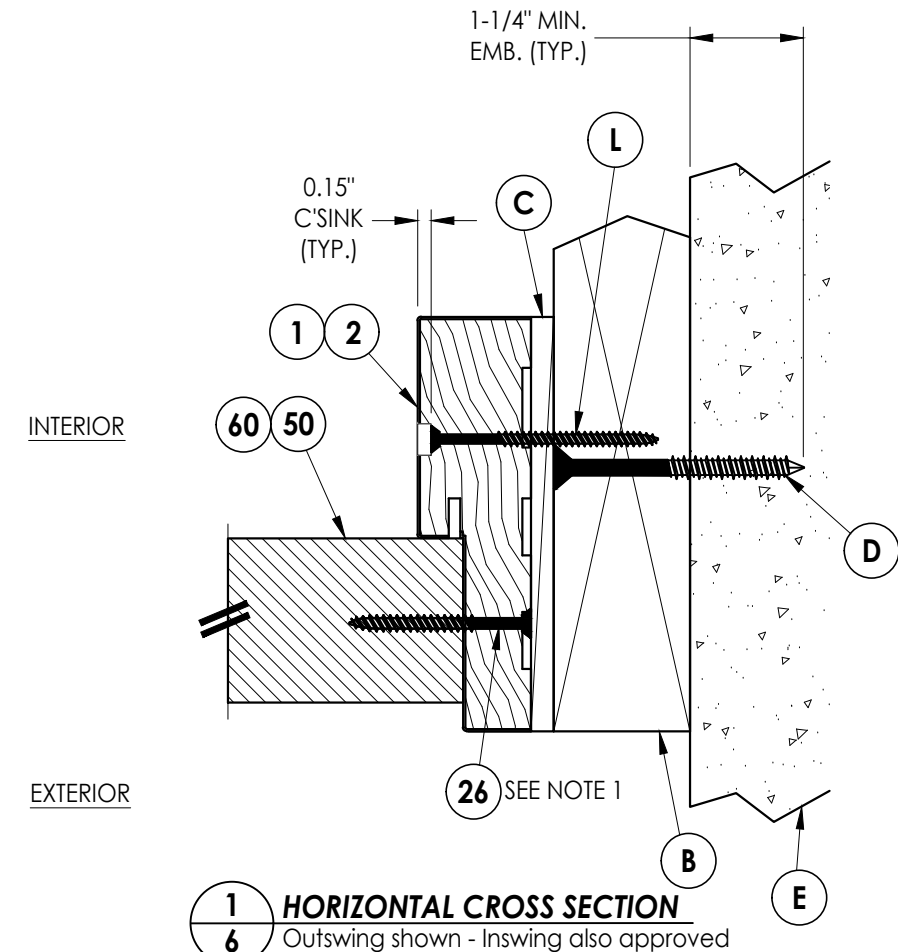


2 VERTICAL CROSS SECTION
6 Outswing shown - Inswing also approved



3 VERTICAL CROSS SECTION
6 Outswing shown - Inswing also approved

NOTE:
1. Item #26 located 6" from each end plus 2 more equally spaced (4 total).



1 HORIZONTAL CROSS SECTION
6 Outswing shown - Inswing also approved

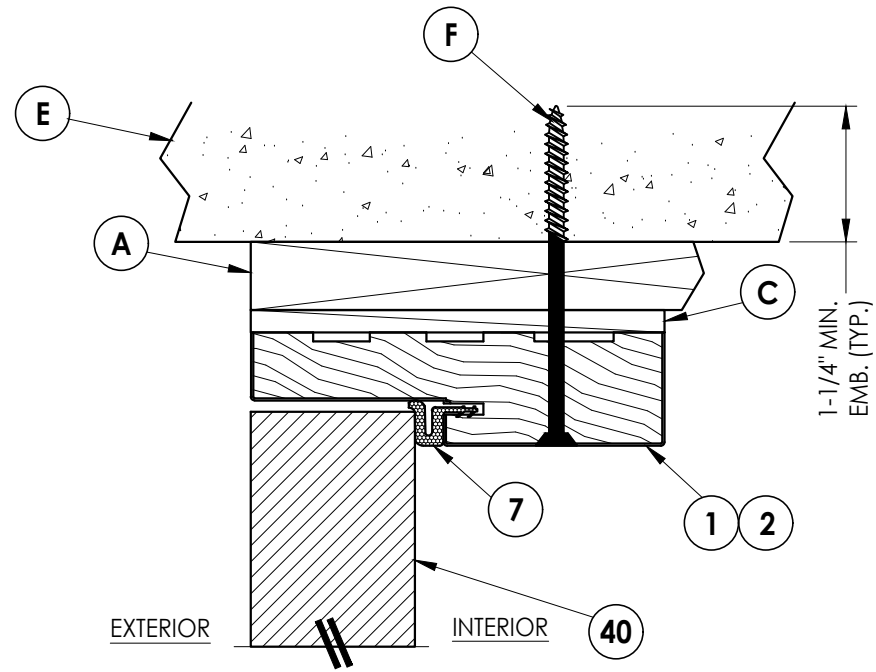
Documents Prepared By:
Lyndon F. Schmidt
P.E. No. 43409

RW BUILDING CONSULTANTS, INC.
P.O. Box 230, Vairico, FL 33595
Phone No.: 813.659.9197
FBPE Registry No. 9813

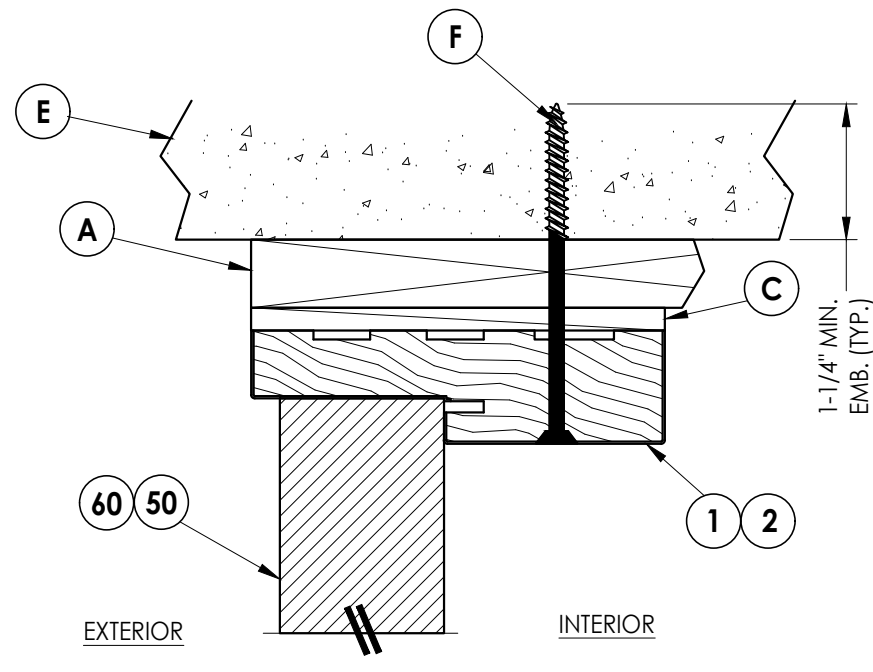
PRODUCT: TRINITY GLASS INT'L
PART OR ASSEMBLY: HORIZONTAL AND VERTICAL CROSS SECTIONS (2X BUCK)

NO.	DATE	BY	REVISIONS
2	8/01/23	LFS	UPDATE TO 8TH ED. (2023) FBC
1	8/11/20	DAC	UPDATE TO 7th ED. (2020) FBC & REVISE ENDURA ULT. ASTRAGAL

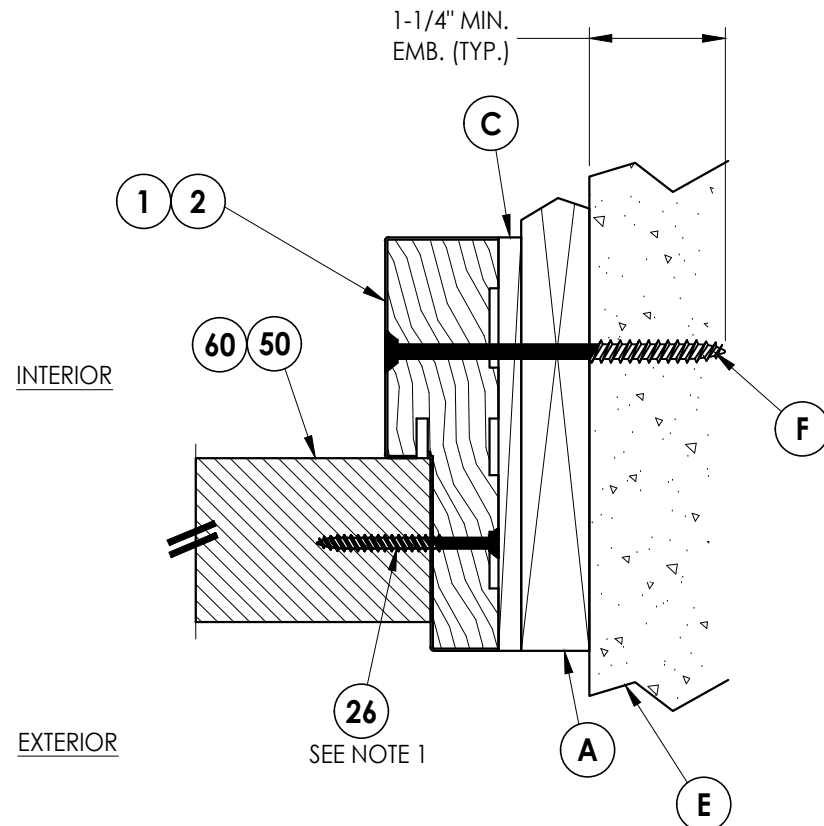
DATE: 1/28/20
SCALE: N.T.S.
DWG. BY: TRJ
CHK. BY: LFS
DRAWING NO.: FL-25575.6
SHEET 6 of 14



2 VERTICAL CROSS SECTION
7 Outswing shown - Inswing also approved



3 VERTICAL CROSS SECTION
7 Outswing shown - Inswing also approved



1 HORIZONTAL CROSS SECTION
7 Outswing shown - Inswing also approved

NOTE:
 1. Item #26 located 6" from each end plus 2 more equally spaced (4 total).

Documents Prepared By:
 Lyndon F. Schmidt
 P.E. No. 43409

RW BUILDING CONSULTANTS, INC.
 P.O. Box 230, Valrico, FL 33595
 Phone No.: 813.659.9197
 FBPE Registry No. 9813

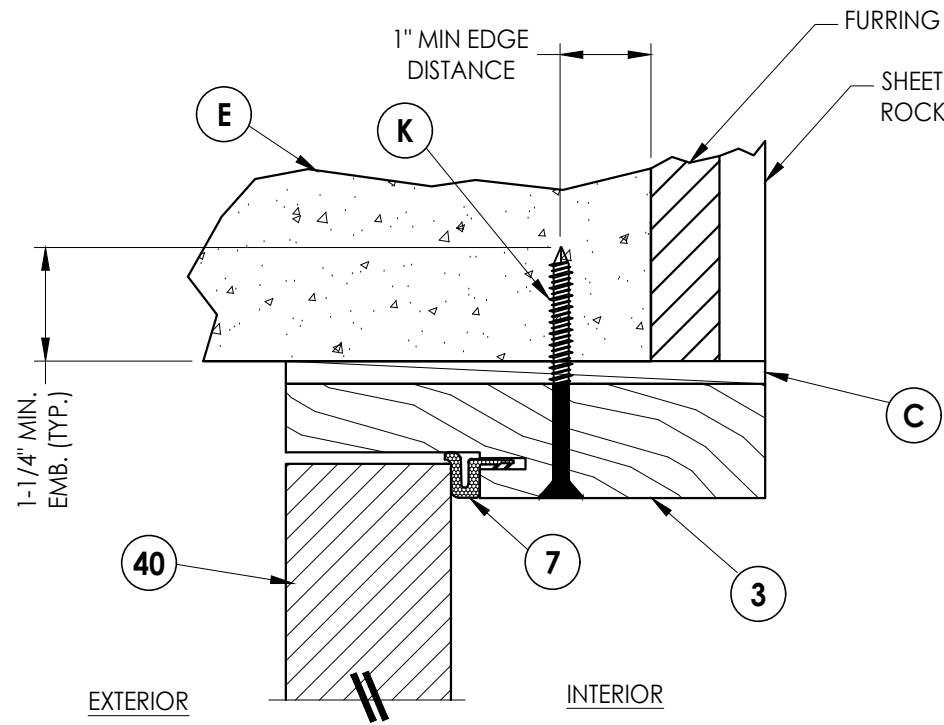
PRODUCT: TRINITY GLASS INT'L

PART OR ASSEMBLY:
 HORIZONTAL AND VERTICAL
 CROSS SECTIONS (1X BUCK)

NO.	DATE	BY
2	8/01/23	UPDATE TO 8TH ED. (2023) FBC LFS
1	8/11/20	UPDATE TO 7th ED. (2020) FBC DAC & REVISE ENDURA ULT. ASTRAGAL

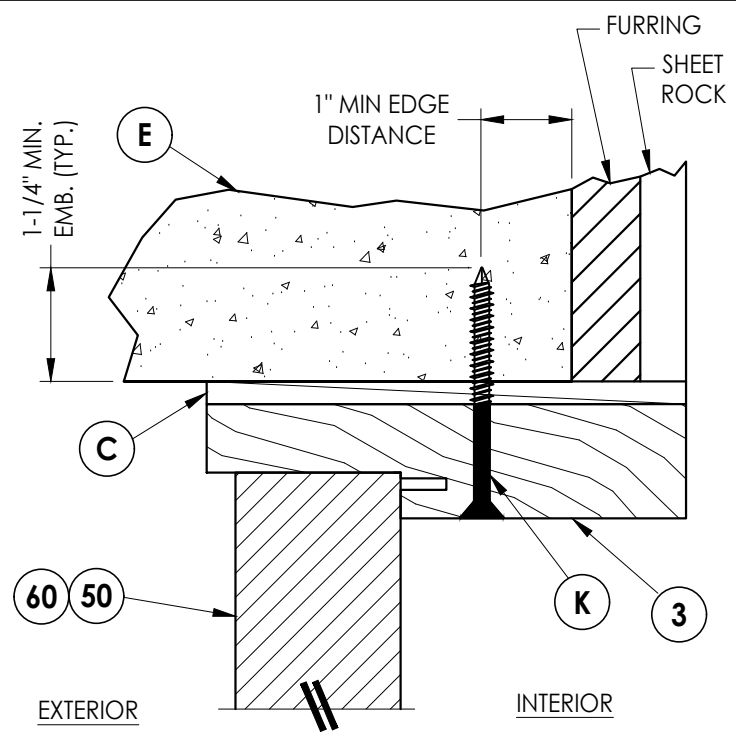
REVISIONS

DATE: 1/28/20
 SCALE: N.T.S.
 DWG. BY: TRJ
 CHK. BY: LFS
 DRAWING NO.: FL-25575.6
 SHEET 7 OF 14

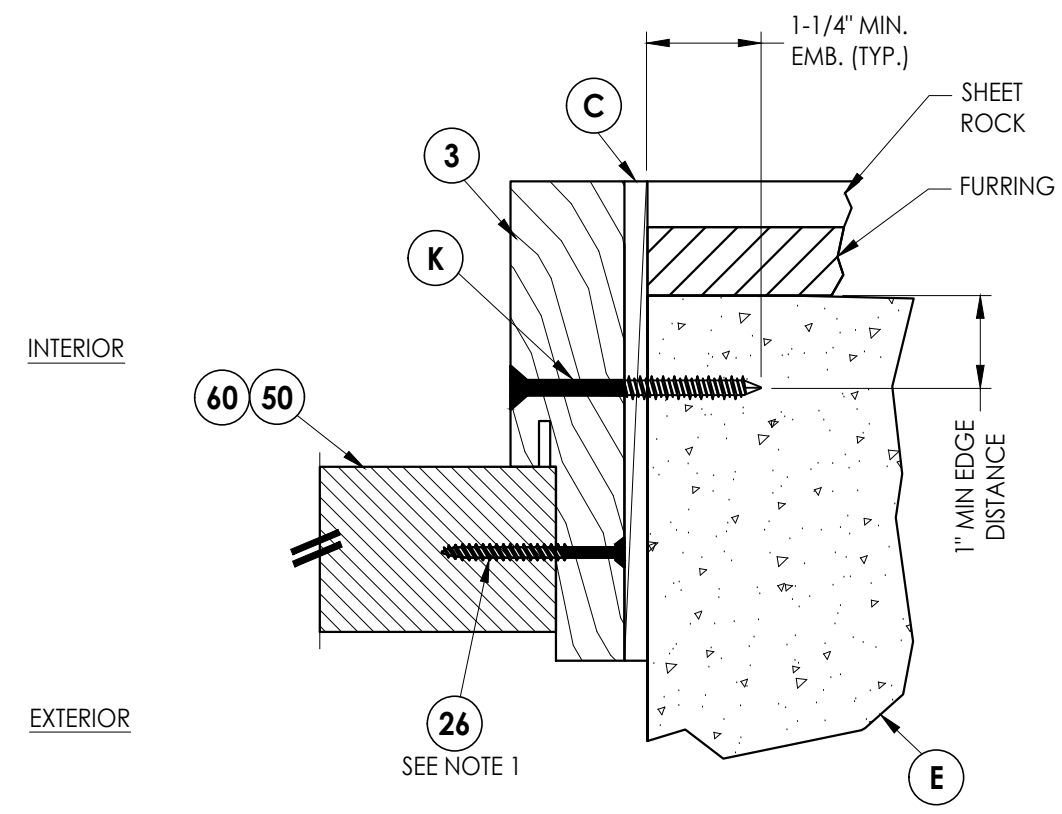


2 VERTICAL CROSS SECTION
8 Outswing only

NOTE:
 1. Item #26 located 6" from each end plus 2 more equally spaced (4 total).



3 VERTICAL CROSS SECTION
8 Outswing only



1 HORIZONTAL CROSS SECTION
8 Outswing only

Documents Prepared By:
 Lyndon F. Schmidt
 P.E. No. 43409

RW BUILDING CONSULTANTS, INC.
 P.O. Box 230, Valrico, FL 33595
 Phone No.: 813.659.9197
 FBPE Registry No. 9813

PRODUCT: TRINITY GLASS INT'L
 PART OR ASSEMBLY:
 HORIZONTAL AND VERTICAL CROSS SECTIONS (DIRECT TO MASONRY)

NO.	DATE	REVISIONS	BY
2	8/01/23	UPDATE TO 8TH ED. (2023) FBC	LFS
1	8/11/20	UPDATE TO 7th ED. (2020) FBC & REVISE ENDURA ULT. ASTRAGAL	DAC

DATE: 1/28/20

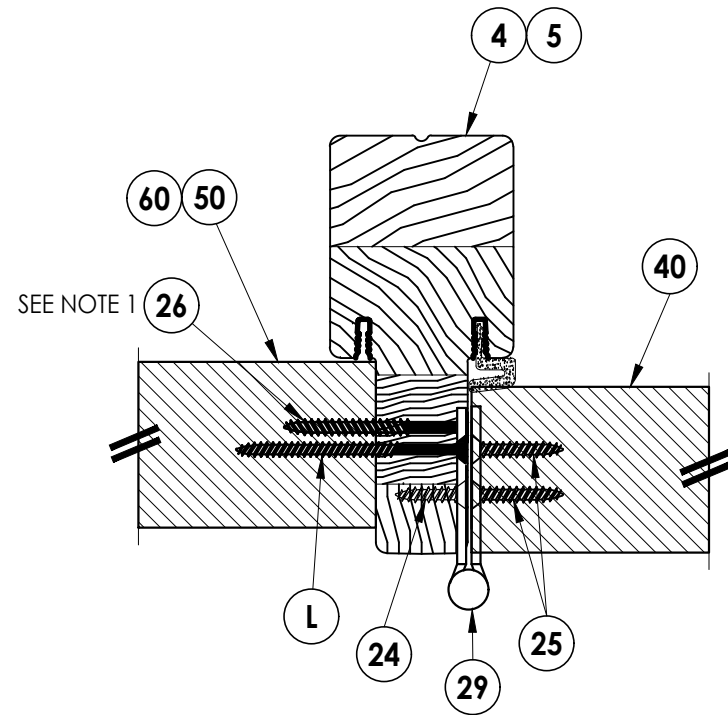
SCALE: N.T.S.

DWG. BY: TRJ

CHK. BY: LFS

DRAWING NO.: FL-25575.6

SHEET 8 OF 14



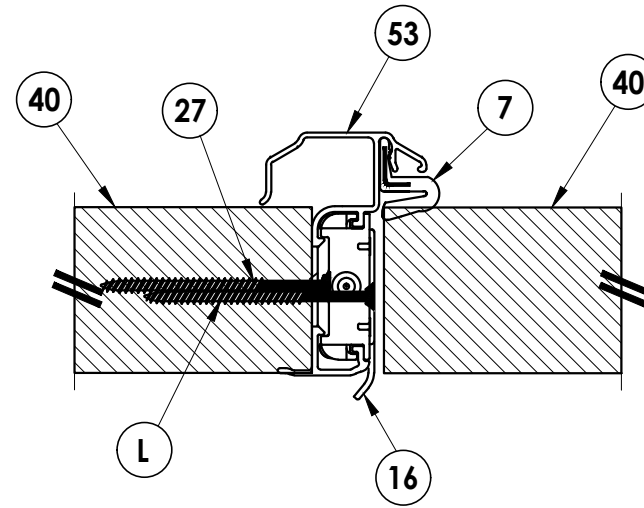
1 HORIZONTAL CROSS SECTION
9 Outswing shown - Inswing also approved

NOTE:

- Item #26 located 6" from each end plus 2 more equally spaced (4 total).

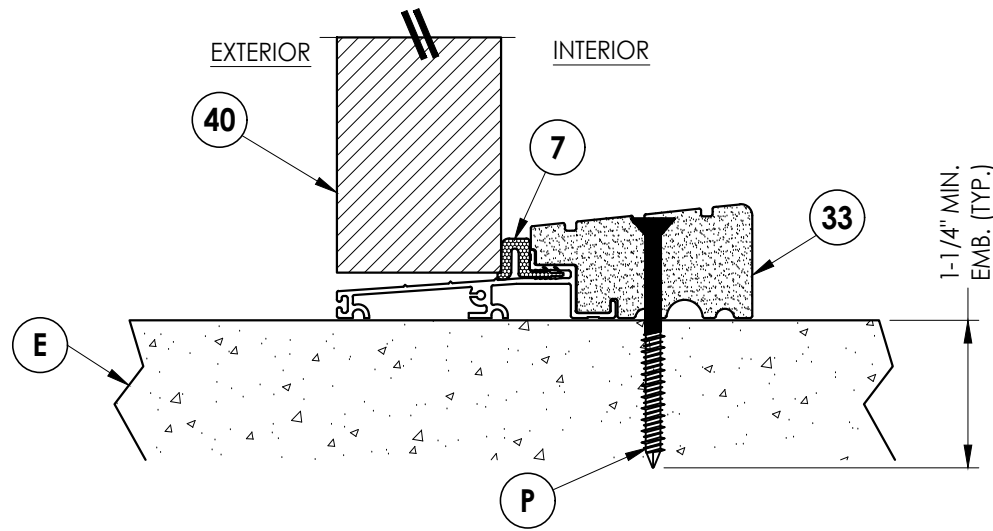
INTERIOR

EXTERIOR

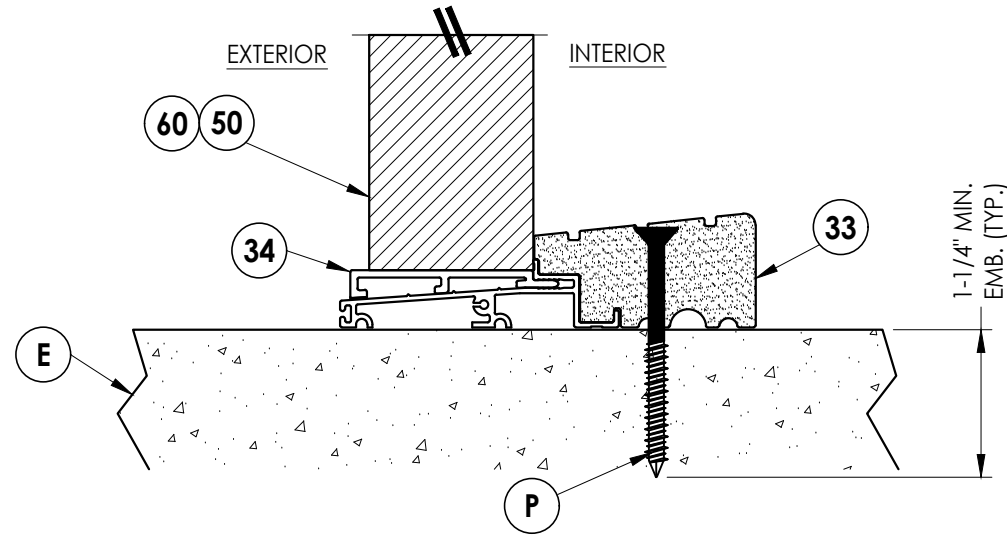


2 HORIZONTAL CROSS SECTION
9 Outswing shown - Inswing also approved

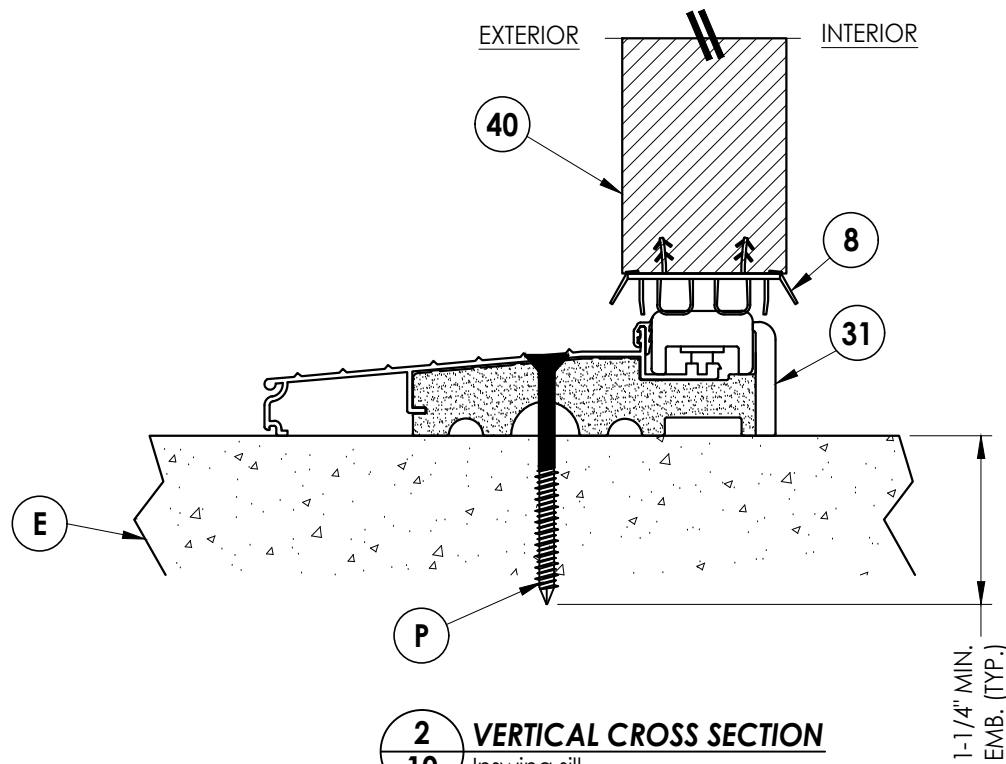
Documents Prepared By: Lyndon F. Schmidt P.E. No. 43409		BUILDING CONSULTANTS, INC. P.O. Box 230, Valrico, FL 33595 Phone No.: 813.659.9197 FBPE Registry No. 9813	
PRODUCT: TRINITY GLASS INT'L		PART OR ASSEMBLY: HORIZONTAL CROSS SECTIONS	
2	8/01/23	UPDATE TO 8TH ED. (2023)	FBC LFS
1	8/11/20	UPDATE TO 7th ED. (2020)	FBC DAC
		& REVISE ENDURA ULT. ASTRAGAL	
	NO.	DATE	BY
REVISIONS			
DATE: 1/28/20			
SCALE: N.T.S.			
DWG. BY: TRJ			
CHK. BY: LFS			
DRAWING NO.: FL-25575.6			
SHEET <u>9</u> OF <u>14</u>			



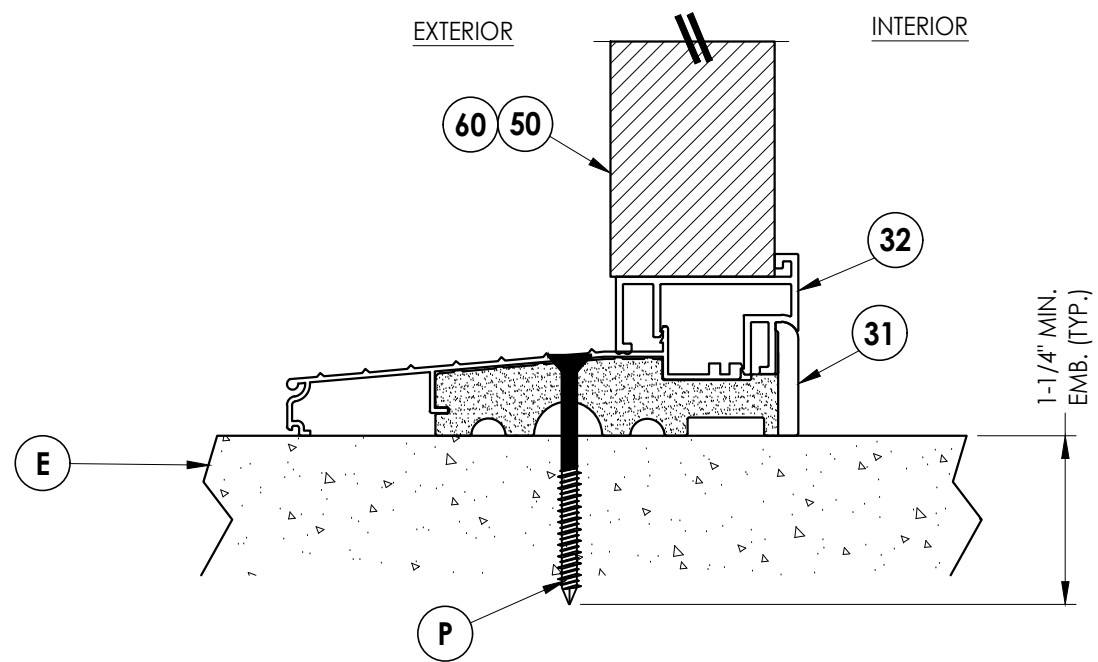
1
10 VERTICAL CROSS SECTION
Outswing sill - high dam



3
10 VERTICAL CROSS SECTION
Outswing sill - high dam



2
10 VERTICAL CROSS SECTION
Inswing sill



4
10 VERTICAL CROSS SECTION
Inswing sill

Documents Prepared By:
Lyndon F. Schmidt
P.E. No. 43409

RW BUILDING CONSULTANTS, INC.
P.O. Box 230, Valrico, FL 33595
Phone No.: 813.659.9197
FBPE Registry No. 9813

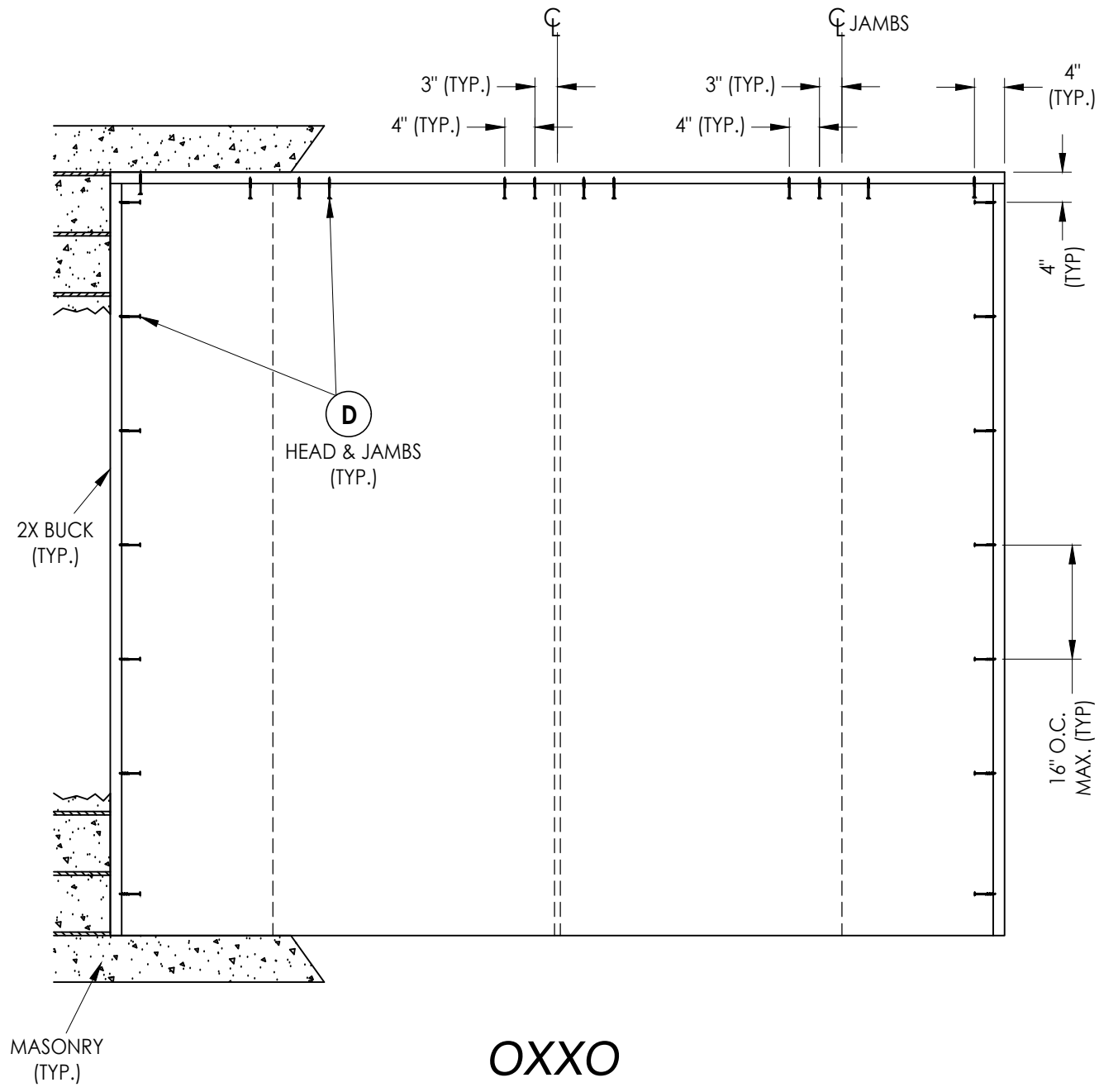
PRODUCT: TRINITY GLASS INT'L

PART OR ASSEMBLY:
VERTICAL CROSS SECTIONS

NO.	DATE	BY
2	8/01/23	UPDATE TO 8TH ED. (2023) FBC LFS
1	8/11/20	UPDATE TO 7th ED. (2020) FBC DAC & REVISE ENDURA ULT. ASTRAGAL

REVISIONS

DATE: 1/28/20
SCALE: N.T.S.
DWG. BY: TRJ
CHK. BY: LFS
DRAWING NO.: FL-25575.6
SHEET 10 OF 14



2X BUCK ANCHORING

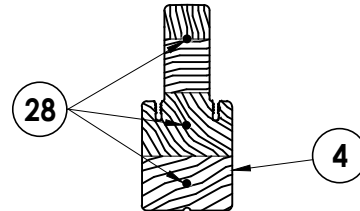
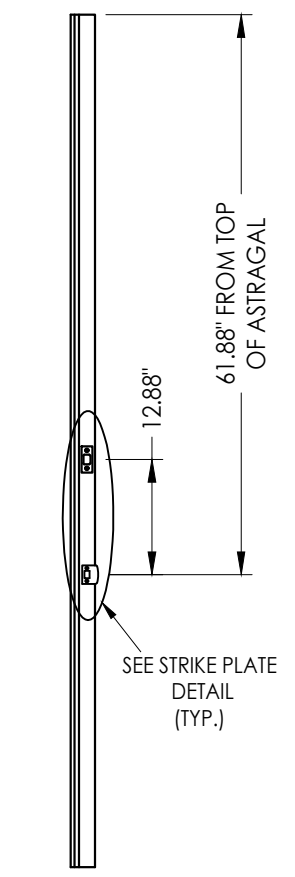
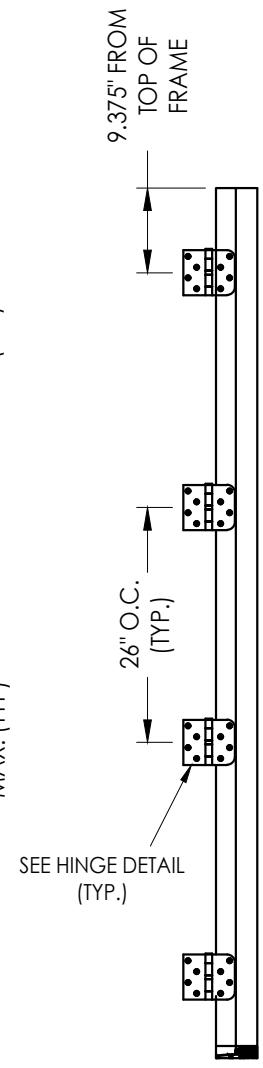
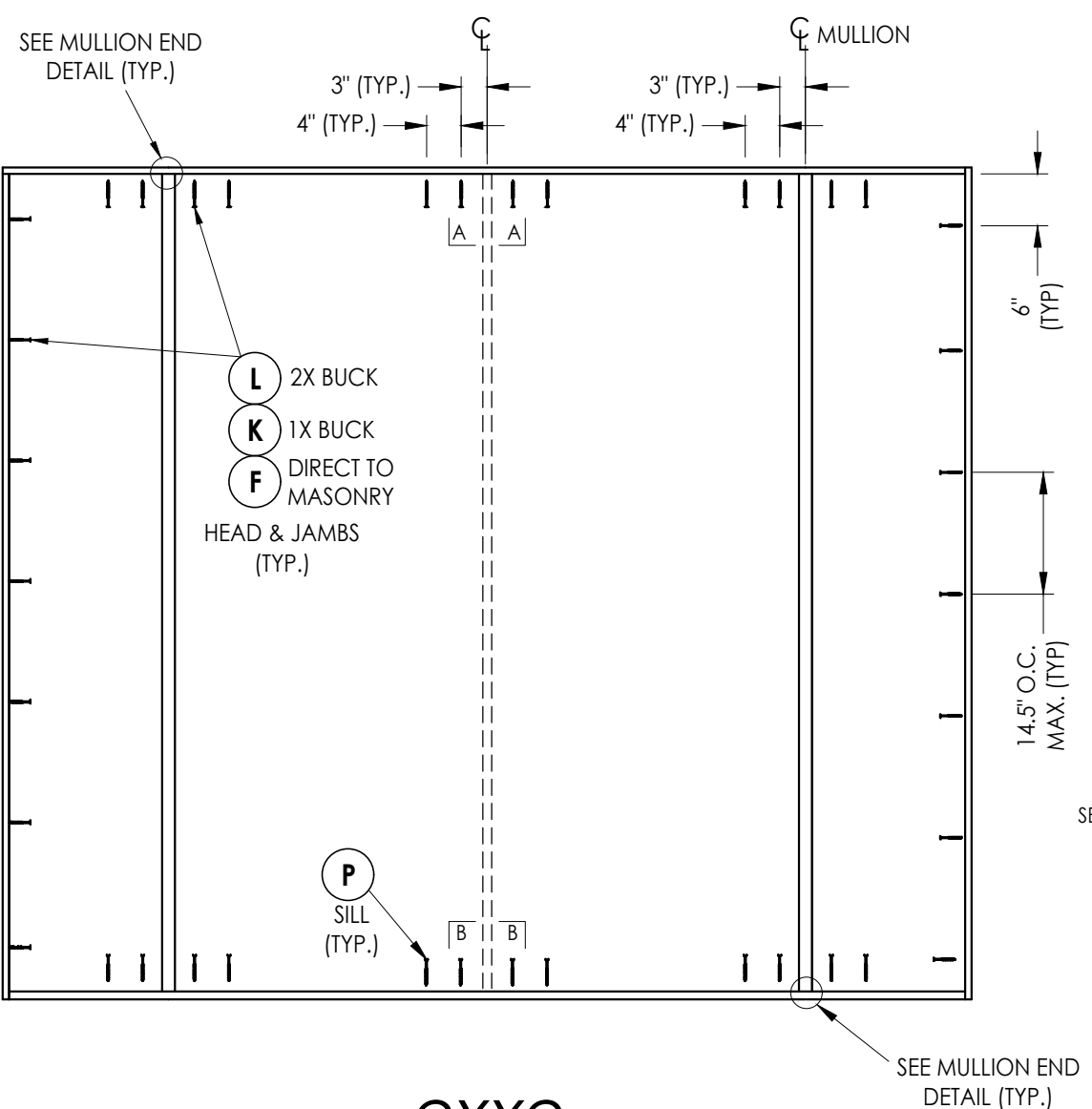
DATE:	1/28/20
SCALE:	N.T.S.
DWG. BY:	TRJ
CHK. BY:	LFS
DRAWING NO.:	FL-25575.6
SHEET	11 OF 14

NO.	DATE	REVISIONS
2	8/01/23	UPDATE TO 8TH ED. (2023) FBC LFS
1	8/11/20	UPDATE TO 7th ED. (2020) FBC DAC & REVISE ENDURA ULT. ASTRAGAL

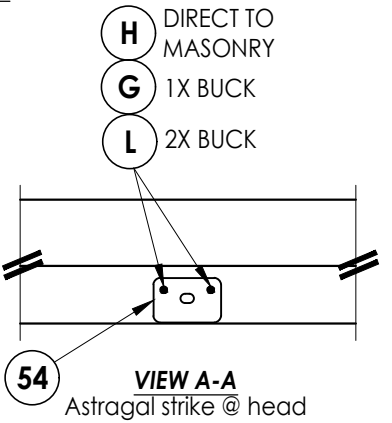
PRODUCT:	TRINITY GLASS INT'L
PART OR ASSEMBLY:	BUCK ANCHORING

Documents Prepared By:
 Lyndon F. Schmidt
 P.E. No. 43409

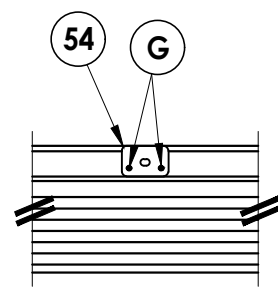
RW BUILDING CONSULTANTS, INC.
 P.O. Box 230, Valrico, FL 33595
 Phone No.: 813.659.9197
 FBPE Registry No. 9813



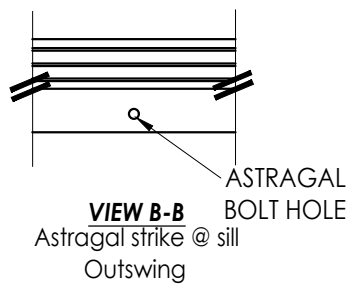
MULLION END DETAIL
(TYP. @ HEAD & SILL)



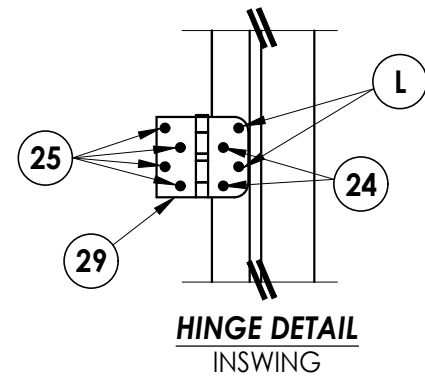
VIEW A-A
Astragal strike @ head



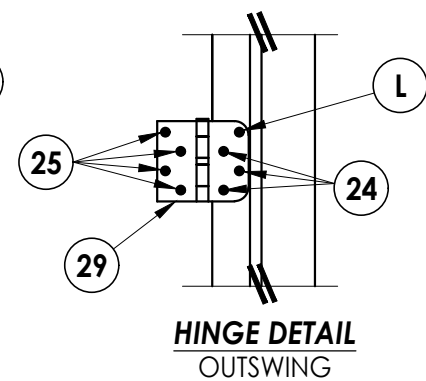
VIEW B-B
Astragal strike @ sill
Inswing



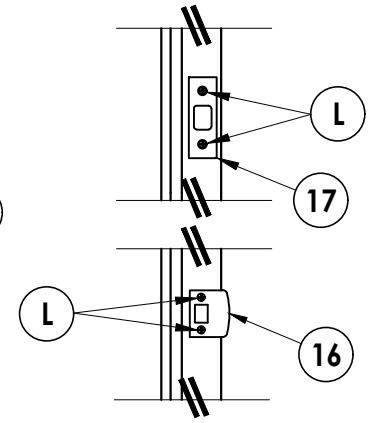
VIEW B-B
Astragal strike @ sill
Outswing



HINGE DETAIL
INSWING



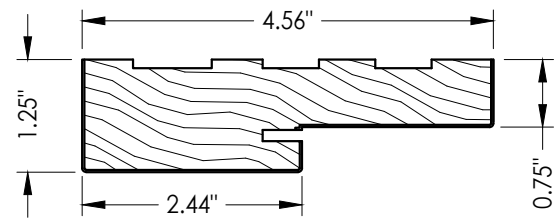
HINGE DETAIL
OUTSWING



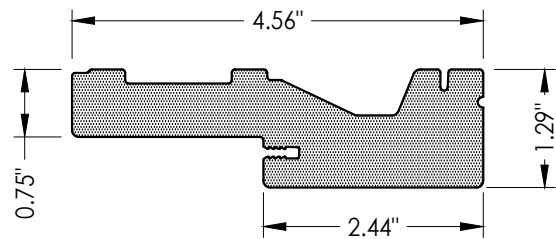
STRIKE PLATE DETAIL

OXXO FRAME ANCHORING

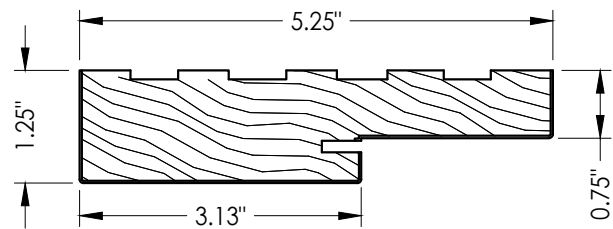
Documents Prepared By: Lyndon F. Schmidt P.E. No. 43409		BUILDING CONSULTANTS, INC. P.O. Box 230, Valrico, FL 33595 Phone No.: 813.659.9197 FBPE Registry No. 9813	
PRODUCT: TRINITY GLASS INT'L		PART OR ASSEMBLY: FRAME ANCHORING	
		LFS	BY
2	8/01/23	UPDATE TO 8TH ED. (2023)	FBC
1	8/11/20	UPDATE TO 7th ED. (2020)	FBC
		& REVISE ENDURA ULT. ASTRAGAL	
NO.	DATE		
REVISIONS			
DATE: 1/28/20			
SCALE: N.T.S.			
DWG. BY: TRJ			
CHK. BY: LFS			
DRAWING NO.: FL-25575.6			
SHEET 12 OF 14			



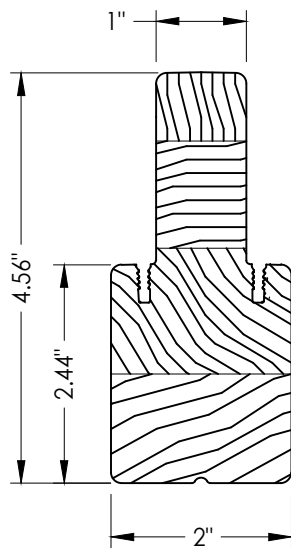
1 FINGER JOINT PINE JAMB



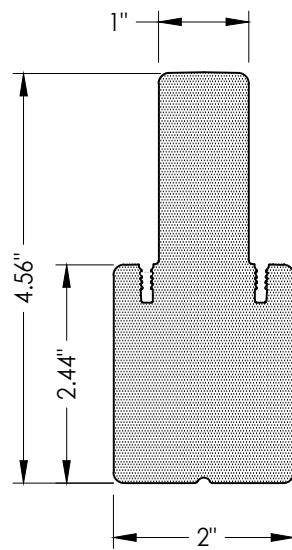
**2 HEAD AND JAMBS
PVC**



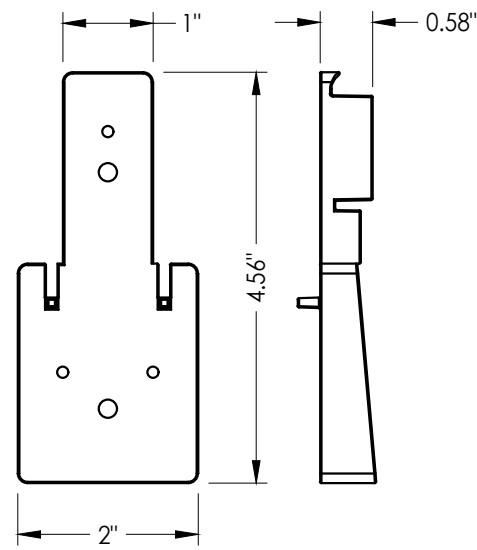
3 FINGER JOINT PINE JAMB



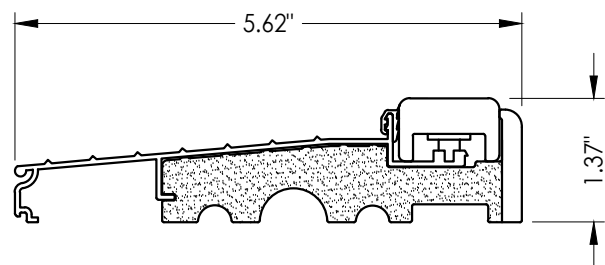
**4 INTEGRAL MULLION
PINE**



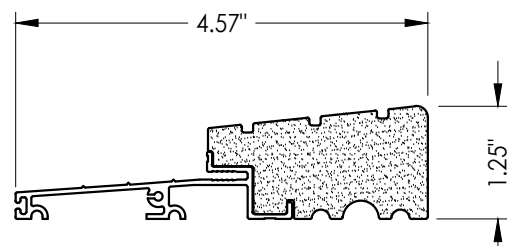
**5 INTEGRAL MULLION
PVC**



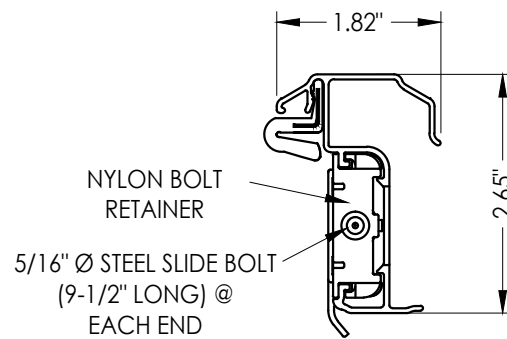
**6 INTEGRAL MULLION BASE KIT
Optional**



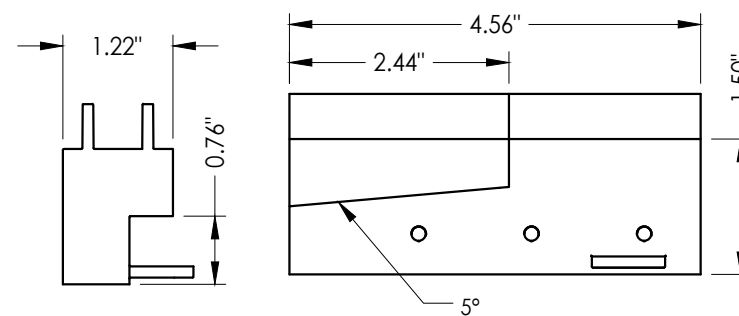
31 INSWING THRESHOLD



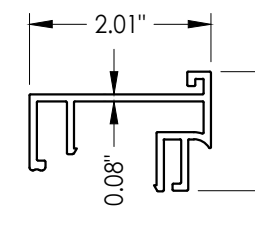
**33 INSWING THRESHOLD
High-dam**



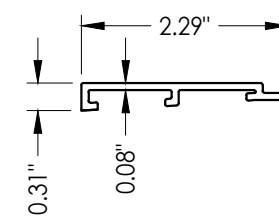
**53 ULTIMATE HURRICANE ASTRAGAL
By Endura Products**



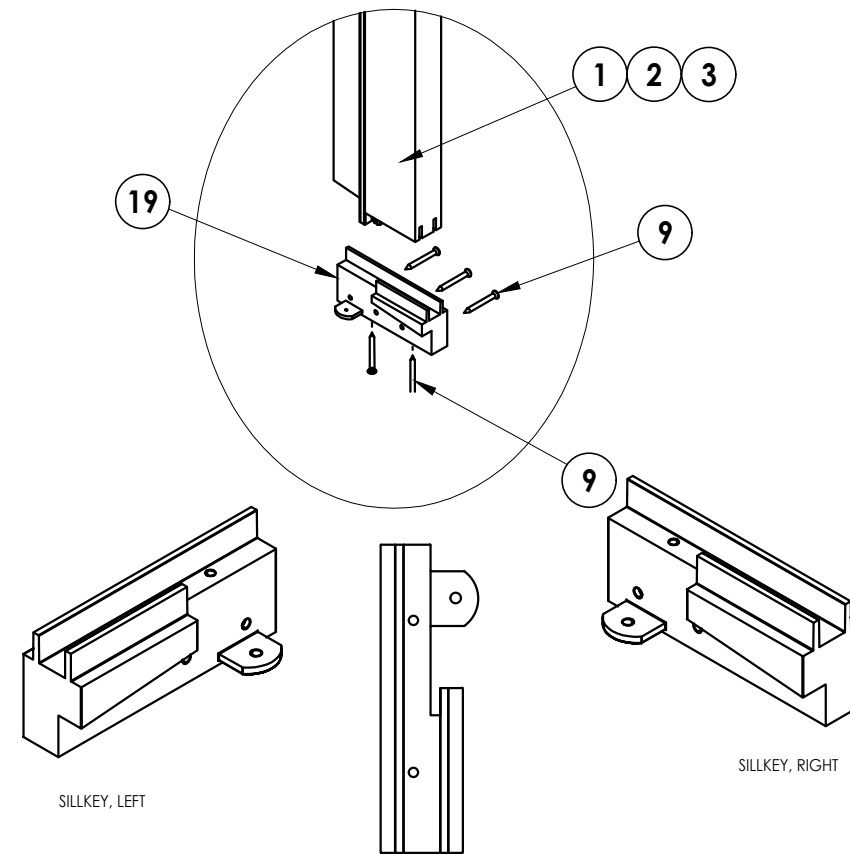
**19 SILLKEY DETAILS
Optional**



**32 SIDELITE SPACER
Inswing**



**34 SIDELITE SPACER
Outswing**



Documents Prepared By:
Lyndon F. Schmidt
P.E. No. 43409

RW BUILDING CONSULTANTS, INC.
P.O. Box 230, Valrico, FL 33595
Phone No.: 813.659.9197
FBPE Registry No. 9813

PRODUCT:
TRINITY GLASS INT'L

PART OR ASSEMBLY:
COMPONENTS

NO.	DATE	BY	REVISIONS
2	8/01/23	FBC LFS	UPDATE TO 8TH ED. (2023)
1	8/11/20	FBC DAC	UPDATE TO 7th ED. (2020) & REVISE ENDURA ULT. ASTRAGAL

DATE: 1/28/20

SCALE: N.T.S.

DWG. BY: TRJ

CHK. BY: LFS

DRAWING NO.:

FL-25575.6

SHEET 13 OF 14

BILL OF MATERIALS

ITEM #	DESCRIPTION	MATERIAL
A	1X BUCK (SG >= 0.42)	WOOD
B	2X BUCK (SG >= 0.42)	WOOD
C	1/4" MAX. SHIM SPACE	-
D	1/4" X 2-3/4" PFH DeWALT OR ITW CONCRETE SCREW	STEEL
E	MASONRY - 3,000 PSI MIN. CONCRETE CONFORMING TO ACI 301 OR HOLLOW BLOCK CONFORMING TO ASTM C90	CONCRETE
F	1/4" X 3-3/4" PFH ITW CONCRETE SCREW	STEEL
G	3/16" X 3-1/4" PFH ITW CONCRETE SCREW	STEEL
H	3/16" X 2-1/4" PFH ITW CONCRETE SCREW	STEEL
K	1/4" X 2-3/4" PFH DeWALT CONCRETE SCREW	STEEL
L	#10 X 2-1/2" PFH WS (1.15" MIN. EMBEDMENT)	STEEL
P	1/4" X 2-3/4" PFH DeWALT OR ITW CONCRETE SCREW	STEEL
1	HEAD & JAMB (FINGER-JOINT PINE - SG >= 0.42)	WOOD
2	HEAD & JAMB	PVC
3	HEAD & JAMB (5.25") (FINGER-JOINT PINE - SG >= 0.42)	WOOD
4	INTEGRAL MULLION (PINE - SG >= 0.42)	WOOD
5	INTEGRAL MULLION (PVC)	PVC
6	INTEGRAL MULLION BASE KIT	PC/ASA
7	WEATHERSTRIP	FOAM
8	DOOR BOTTOM SWEEP	PVC
9	#6 X 1-1/4 PFH DRYWALL SCREW	STEEL
11	#9 X 2-1/4" PFH WOOD SCREW	STEEL
16	LATCH STRIKE PLATE	STEEL
17	DEADBOLT STRIKE PLATE	STEEL
19	SILLKEY	PC/ASA
24	#9 X 3/4" PFH WS	STEEL
25	#9 X 1" PFH WS	STEEL
26	#8 X 2" PFH WS	STEEL
27	#8 X 2-1/2" PFH WOOD SCREW	STEEL
28	#10 X 3" PFH WOOD SCREW	STEEL
29	4" X 4" HINGE	STEEL
31	INSWING THRESHOLD ALUMINUM w/ COMPOSITE SUBSTRATE	ALUM./ COMP.
32	SIDELITE SPACER - INSWING	PVC
33	OUTSWING HIGH-DAM THRESHOLD ALUMINUM w/ COMPOSITE SUBSTRATE	ALUM./ COMP.
34	SIDELITE SPACER - OUTSWING	PVC
40	DOOR PANEL - (LIGHTHOUSE)	-
50	SIDELITE - LIP LITE GLAZED	-
60	SIDELITE - FLUSH GLAZING	-
53	ALUMINUM ASTRAGAL	ALUM
54	ASTRAGAL STRIKE PLATE	STEEL

Documents Prepared By:
Lyndon F. Schmidt
P.E. No. 43409

RW BUILDING CONSULTANTS, INC.
P.O. Box 230, Valrico, FL 33595
Phone No.: 813.659.9197
FBPE Registry No. 9813

PRODUCT: TRINITY GLASS INT'L

PART OR ASSEMBLY:
BILL OF MATERIALS

NO.	DATE	REVISIONS
2	8/01/23	UPDATE TO 8TH ED. (2023) FBC LFS
1	8/11/20	UPDATE TO 7th ED. (2020) FBC DAC & REVISE ENDURA ULT. ASTRAGAL

DATE: 1/28/20

SCALE: N.T.S.

DWG. BY: TRJ

CHK. BY: LFS

DRAWING NO.:

FL-25575.6

SHEET 14 OF 14

CONCRETE ANCHOR NOTES:

- Concrete anchor locations at the corners may be adjusted to maintain the min. edge distance to mortar joints.
- Concrete anchor locations noted as "MAX. ON CENTER" must be adjusted to maintain the min. edge distance to mortar joints, additional concrete anchors may be required to ensure the "MAX. ON CENTER" dimension are not exceeded.
- Concrete anchor table:

ANCHOR TYPE	ANCHOR SIZE	MIN. EMBEDMENT	MIN. CLEARANCE TO MASONRY EDGE	MIN. CLEARANCE TO ADJACENT ANCHOR
ITW BUILDEX TAPCON®	3/16"	1-1/4"	AS SHOWN	1-1/2"
DeWALT ULTRACON®	1/4"	1-1/4"	2"	4"
DeWALT ULTRACON®	1/4"	1-1/4"	1"	4"

WOOD SCREW INSTALLATION NOTES:

- Maintain a minimum 5/8" edge distance, 1" end distance, & 1" o.c. spacing of wood screws to prevent the splitting of wood.