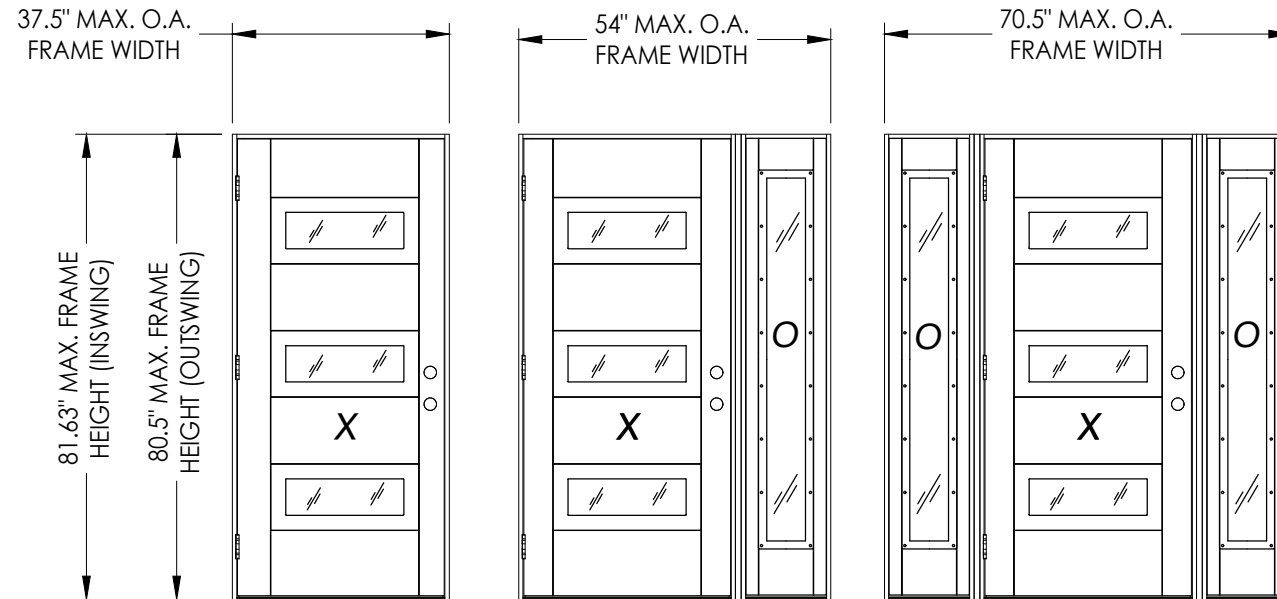


"Modern" GLAZED FIBERGLASS DOOR w/ or w/out SIDELITE(S) "NON-IMPACT" INSWING / OUTSWING

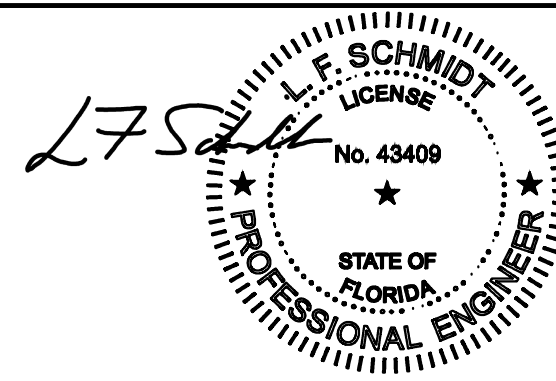
GENERAL NOTES

1. This product has been evaluated and is in compliance with the 8th Edition (2023) Florida Building Code (FBC) structural requirements excluding the "High Velocity Hurricane Zone" (HVHZ).
2. Product anchors shall be as listed and spaced as shown on details. Anchor embedment to base material shall be beyond wall dressing or stucco.
3. When used in areas requiring wind borne debris protection, this product is required to be protected with an impact resistant covering that complies with FBC Sections 1609.1.2 & R301.2.1.2.
4. For 2x stud framing construction, anchoring of these units shall be the same as that shown for 2x buck masonry construction.
5. Site conditions that deviate from the details of this drawing require further engineering analysis by a licensed engineer or registered architect.



CONFIGURATION	MAX. FRAME DIMENSION	DESIGN PRESSURE (PSF) INSWING		DESIGN PRESSURE (PSF) OUTSWING	
		POSITIVE	NEGATIVE	POSITIVE	NEGATIVE
X	37.5" x 81.63"	+55.0	-60.0	+55.0	-55.0
OX/XO	54.0" x 81.63"	+55.0	-60.0	+55.0	-55.0
OXO	70.5" x 81.63"	+55.0	-60.0	+55.0	-55.0

TABLE OF CONTENTS	
SHEET#	DESCRIPTION
1	Typical elevations, design pressures & general notes
2	Door panel details
3	Sidelite panel details
4	Elevations
5	Horizontal and vertical cross sections (2x buck)
6	Horizontal and vertical cross sections (1x buck)
7	Horizontal and vertical cross sections (Direct to Masonry)
8	Horizontal cross sections
9	Vertical cross sections
10	Buck anchoring and frame anchoring (X)
11	Buck anchoring (OX/XO & OXO)
12	Frame anchoring (OX/XO & OXO)
13	Components
14	Bill of materials



This item has been digitally signed and sealed by L. F. Schmidt, P.E. on the date adjacent to the seal. Printed copies of this document are not considered signed and sealed and the signature must be verified on any electronic copies.

THIS PRODUCT APPROVAL IS VALID ONLY FOR THE STATE OF FLORIDA

Documents Prepared By:
Lyndon F. Schmidt
P.E. No. 43409

RW BUILDING CONSULTANTS, INC.
P.O. Box 230, Valrico, FL 33595
Phone No.: 813.659.9197
FBPE Registry No. 9813

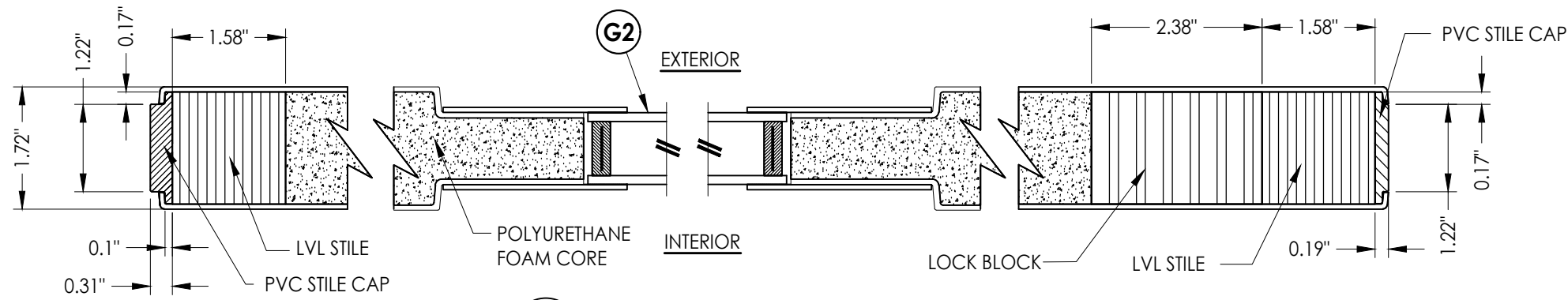
PRODUCT: TRINITY GLASS INT'L

PART OR ASSEMBLY:
TYPICAL ELEVATION, DESIGN PRESSURES & GENERAL NOTES

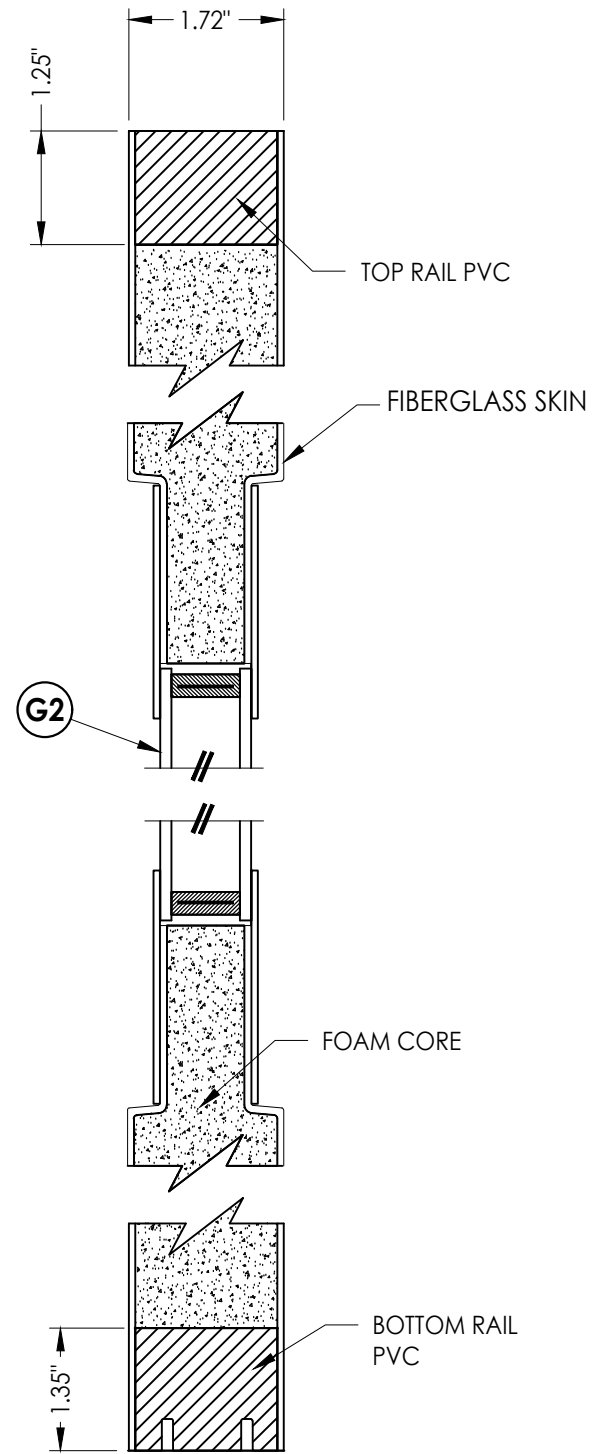
NO.	DATE	BY	REVISIONS
2	8/01/23	LFS	UPDATE TO 8TH ED. (2023) FBC
1	8/11/20	DAC	UPDATE TO 7th ED. (2020) FBC

DATE: 2/05/20
SCALE: N.T.S.
DWG. BY: RW
CHK. BY: LFS
DRAWING NO.: FL-25575.7
SHEET 1 OF 14

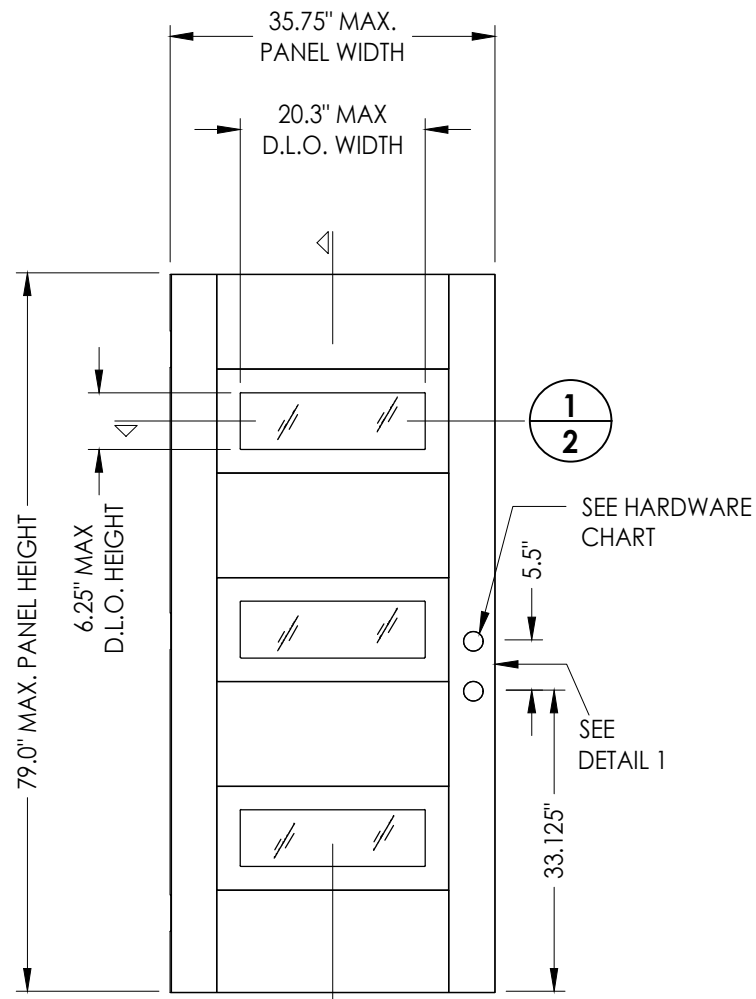
Z:\2023 FBC Drawings\Trinity Glass Int\FL-25575.7-8.dwg



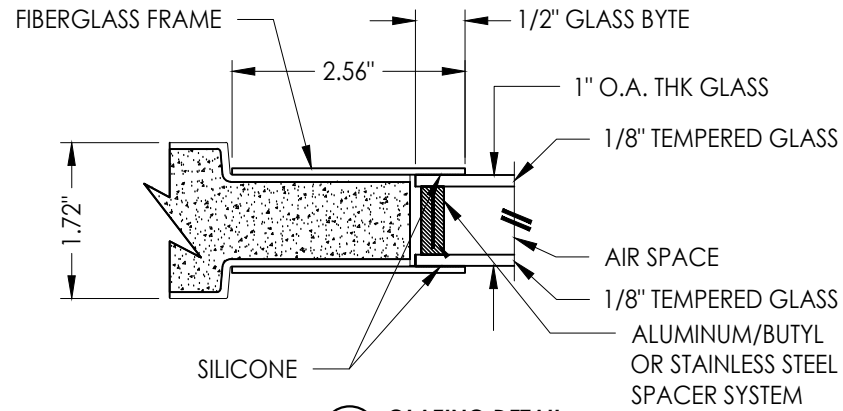
1
2 **HORIZONTAL CROSS SECTION**



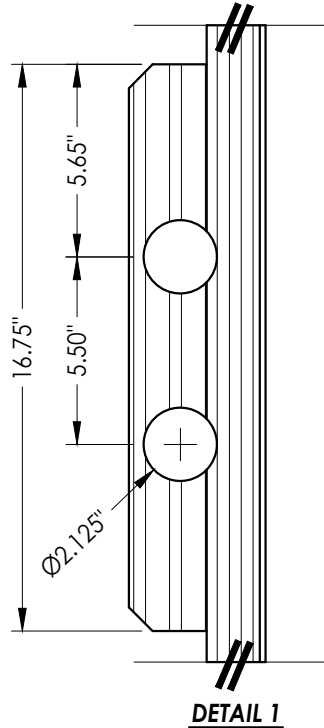
2
2 **VERTICAL CROSS SECTION**



2
2 **50 GLAZED DOOR**
Modern



G2 **GLAZING DETAIL**



DETAIL 1

HARDWARE CHART		
MANUFACTURER	MODEL	
Kwikset	KNOB:	SIGNATURE SERIES
	DEADBOLT:	SIGNATURE SERIES (980)
Schlage	KNOB:	F SERIES
	DEADBOLT:	B60 SERIES

DOOR SKIN: 0.079" MIN. THK. FIBERGLASS
CORE MATERIAL: POLYURETHANE FOAM

Documents Prepared By:
Lyndon F. Schmidt
P.E. No. 43409

RW BUILDING CONSULTANTS, INC.
P.O. Box 230, Valrico, FL 33595
Phone No.: 813.659.9197
FBPE Registry No. 9813

PRODUCT: TRINITY GLASS INT'L

PART OR ASSEMBLY:
DOOR PANEL DETAILS

REVISIONS			
NO.	DATE	BY	DESCRIPTION
2	8/01/23	LFS	UPDATE TO 8TH ED. (2023) FBC
1	8/11/20	DAC	UPDATE TO 7th ED. (2020) FBC

DATE: 2/05/20

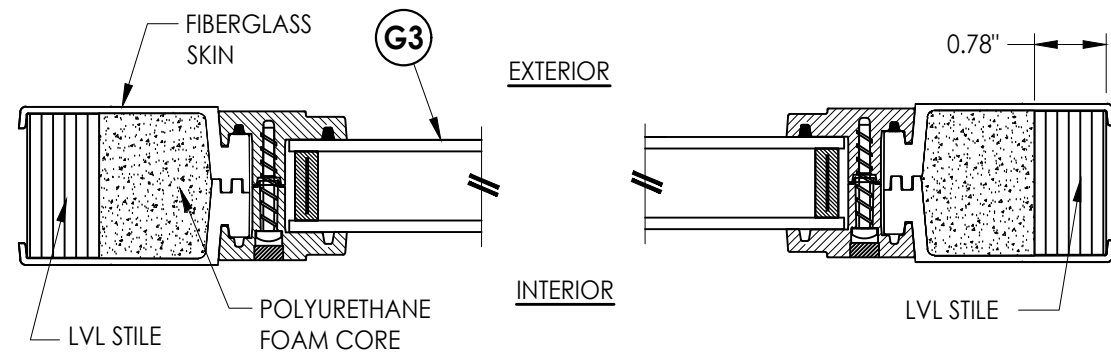
SCALE: N.T.S.

DWG. BY: RW

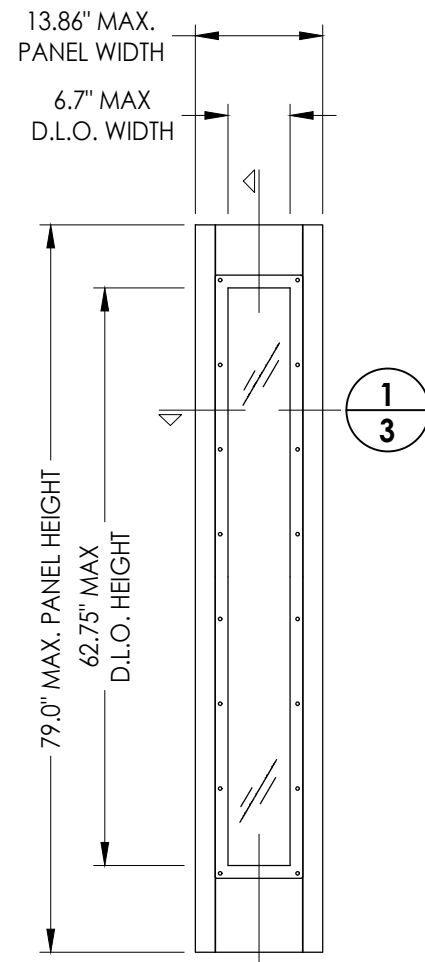
CHK. BY: LFS

DRAWING NO.:
FL-25575.7

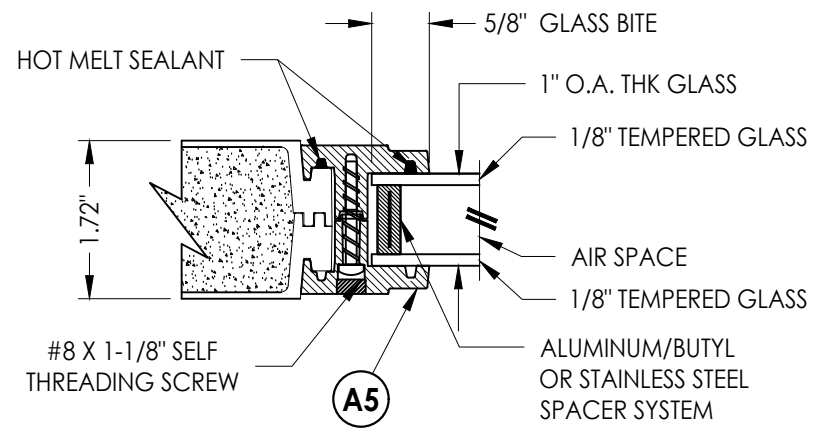
SHEET 2 OF 14



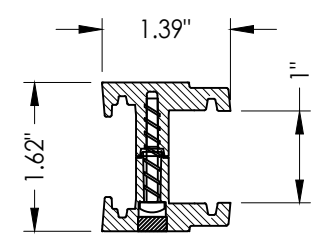
1
3 HORIZONTAL CROSS SECTION



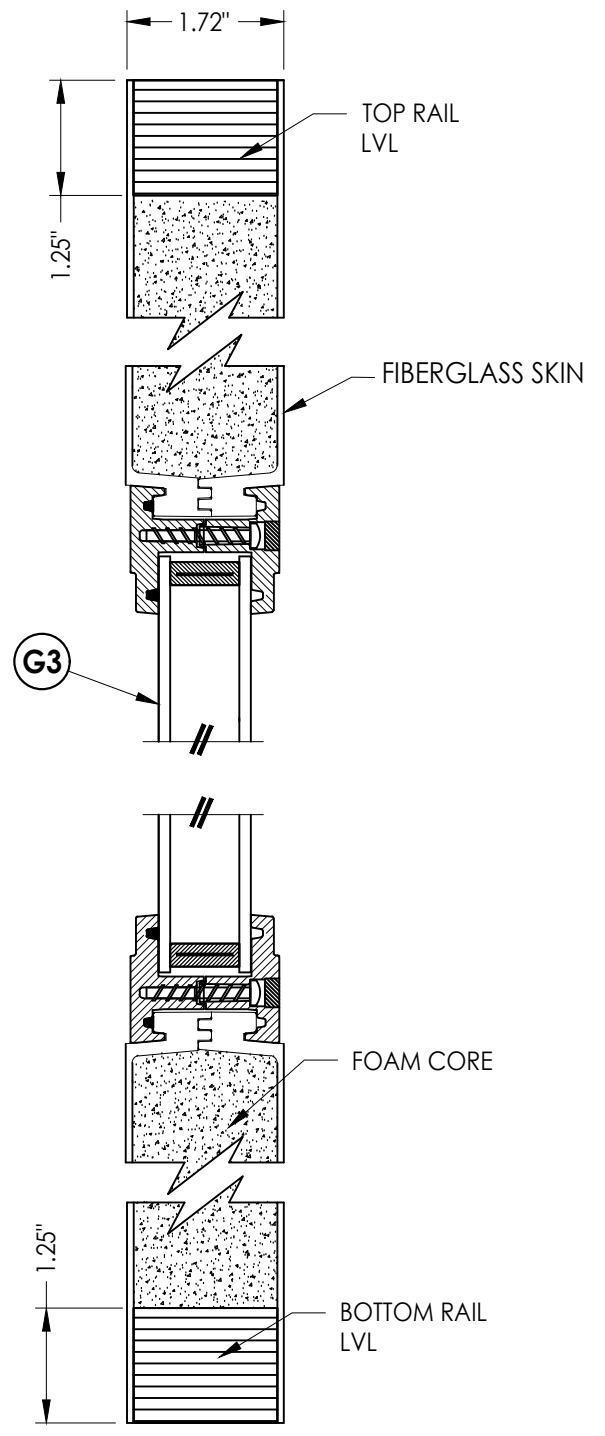
70 SIDE LITE PANEL



G3 GLAZING DETAIL



A5 FRAME
ABS



2
3 VERTICAL CROSS SECTION

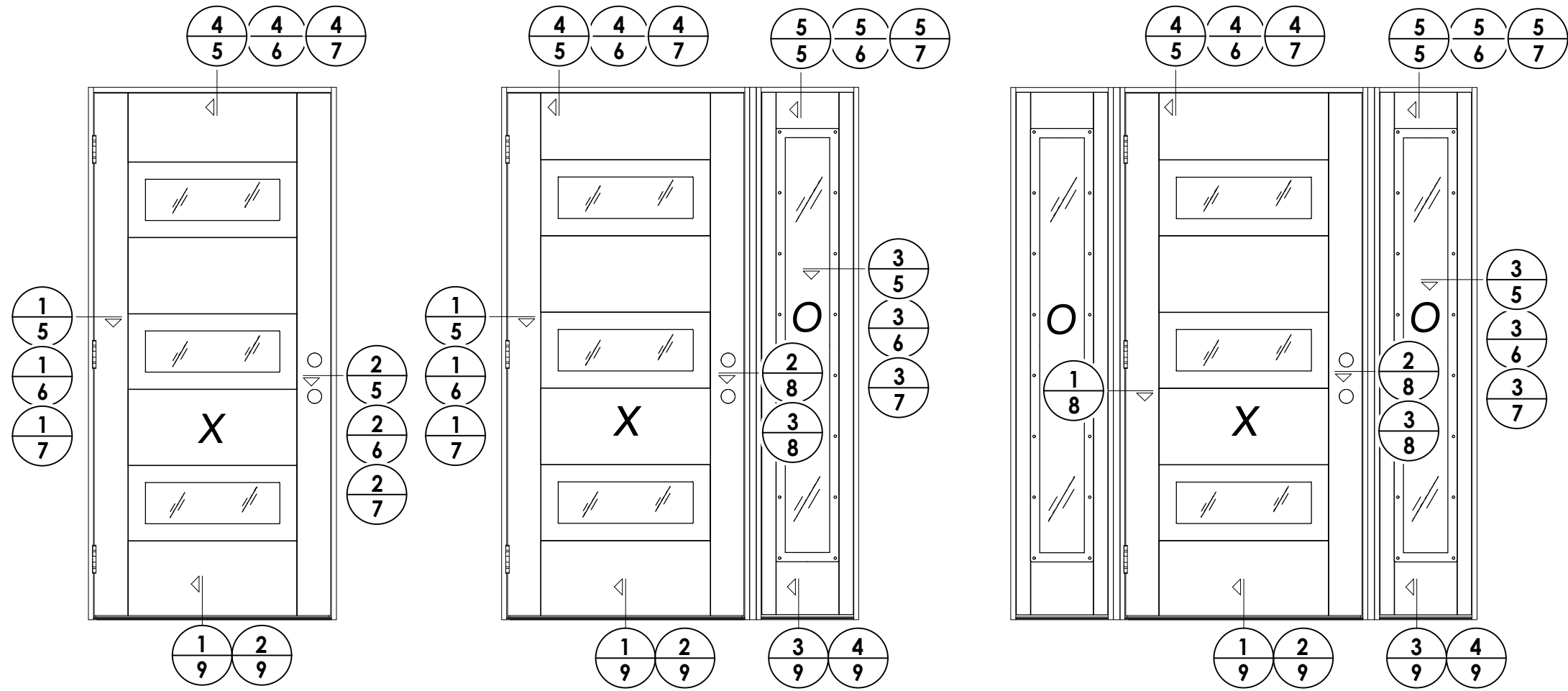
DOOR SKIN: 0.079" MIN. THK. FIBERGLASS
CORE MATERIAL: POLYURETHANE FOAM

Documents Prepared By:
Lyndon F. Schmidt
P.E. No. 43409

RW BUILDING CONSULTANTS, INC.
P.O. Box 230, Vairico, FL 33595
Phone No.: 813.659.9197
FBPE Registry No. 9813

PRODUCT:		TRINITY GLASS INT'L	
PART OR ASSEMBLY:		SIDELITE PANEL DETAILS	
		LFS	FBC
2	8/01/23	UPDATE TO 8TH ED. (2023)	FBC
1	8/11/20	UPDATE TO 7th ED. (2020)	FBC
NO.	DATE		BY
REVISIONS			

DATE:	2/05/20
SCALE:	N.T.S.
DWG. BY:	RW
CHK. BY:	LFS
DRAWING NO.:	FL-25575.7
SHEET	3 of 14



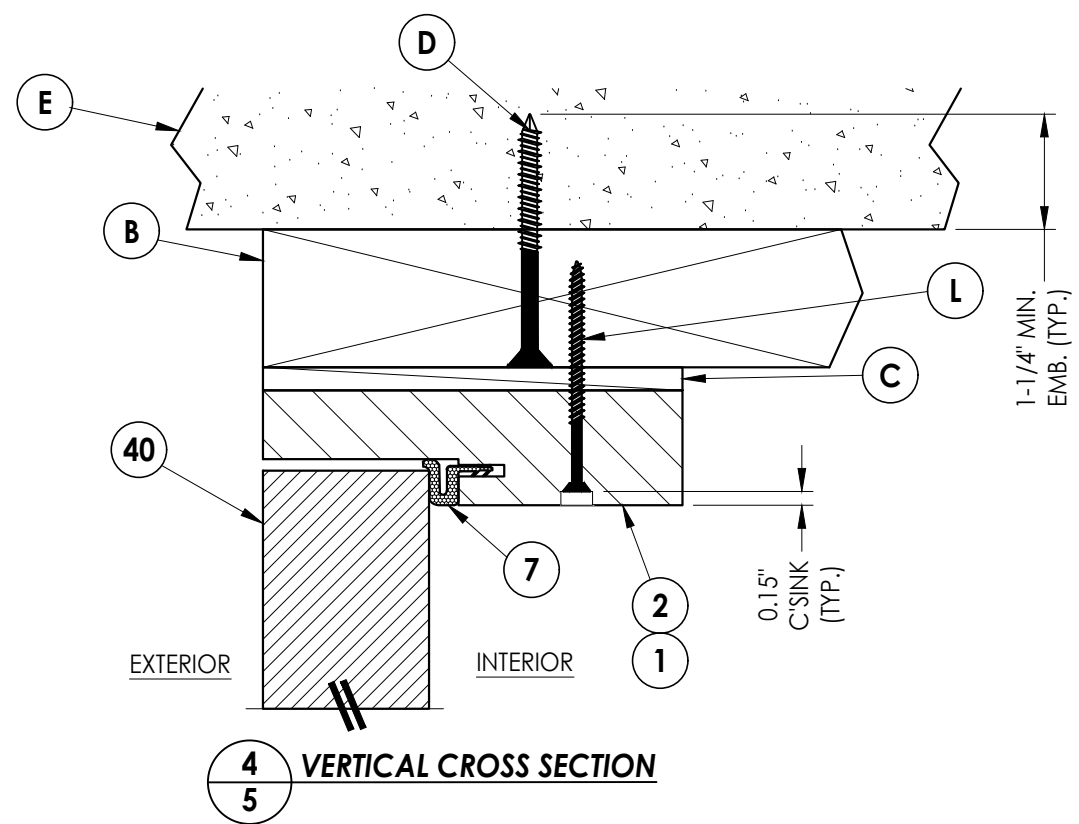
DATE: 2/05/20
 SCALE: N.T.S.
 DWG. BY: RW
 CHK. BY: LFS
 DRAWING NO.:
 FL-25575.7
 SHEET 4 OF 14

REVISIONS	
NO.	DATE
2	8/01/23
1	8/11/20

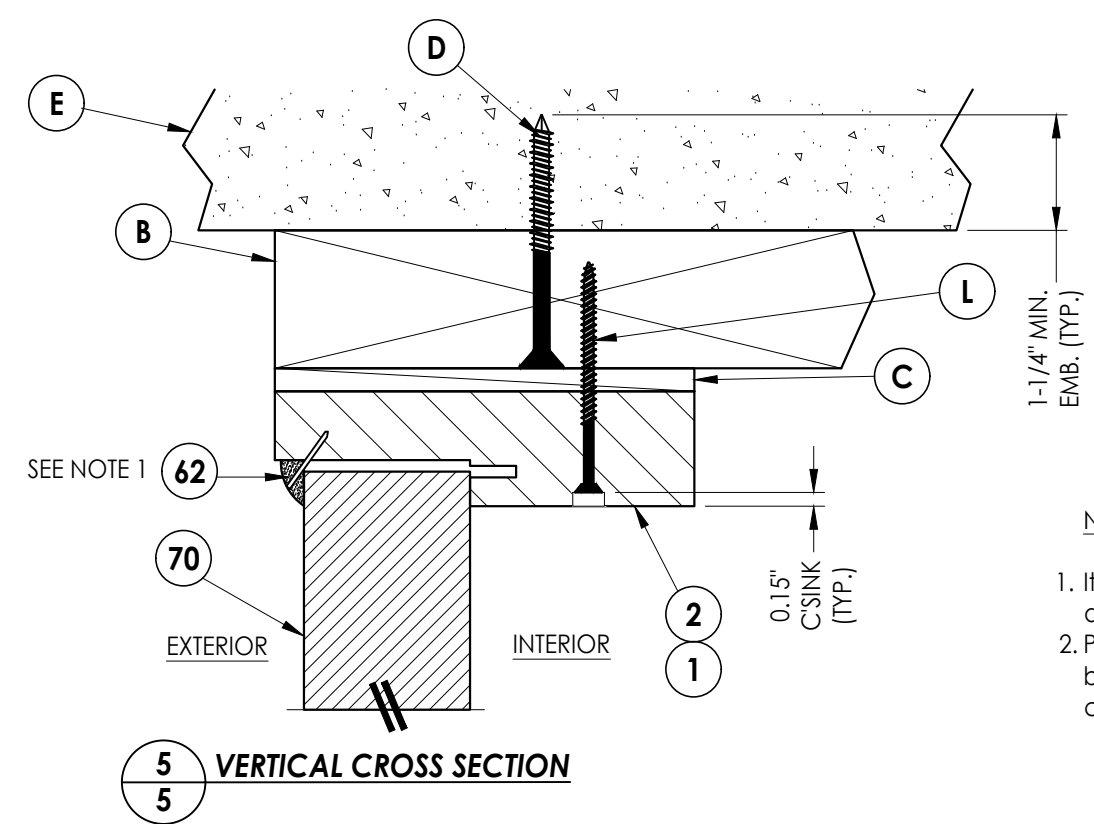
PRODUCT: TRINITY GLASS INT'L
 PART OR ASSEMBLY: ELEVATIONS

Documents Prepared By:
 Lyndon F. Schmidt
 P.E. No. 43409
 RW BUILDING CONSULTANTS, INC.
 P.O. Box 230, Valrico, FL 33595
 Phone No.: 813.659.9197
 FBPE Registry No. 9813

Z:\2023 FBC Drawings\Trinity Glass Int\FL-25575 R5\FL-25575.7-8.dwg



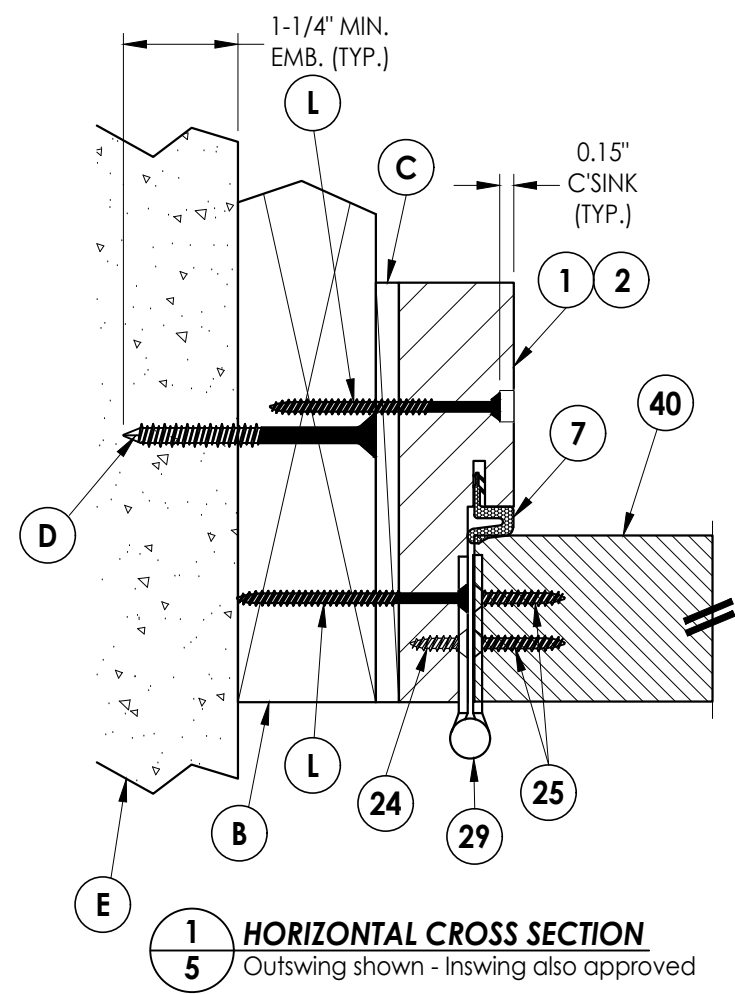
4 VERTICAL CROSS SECTION
5



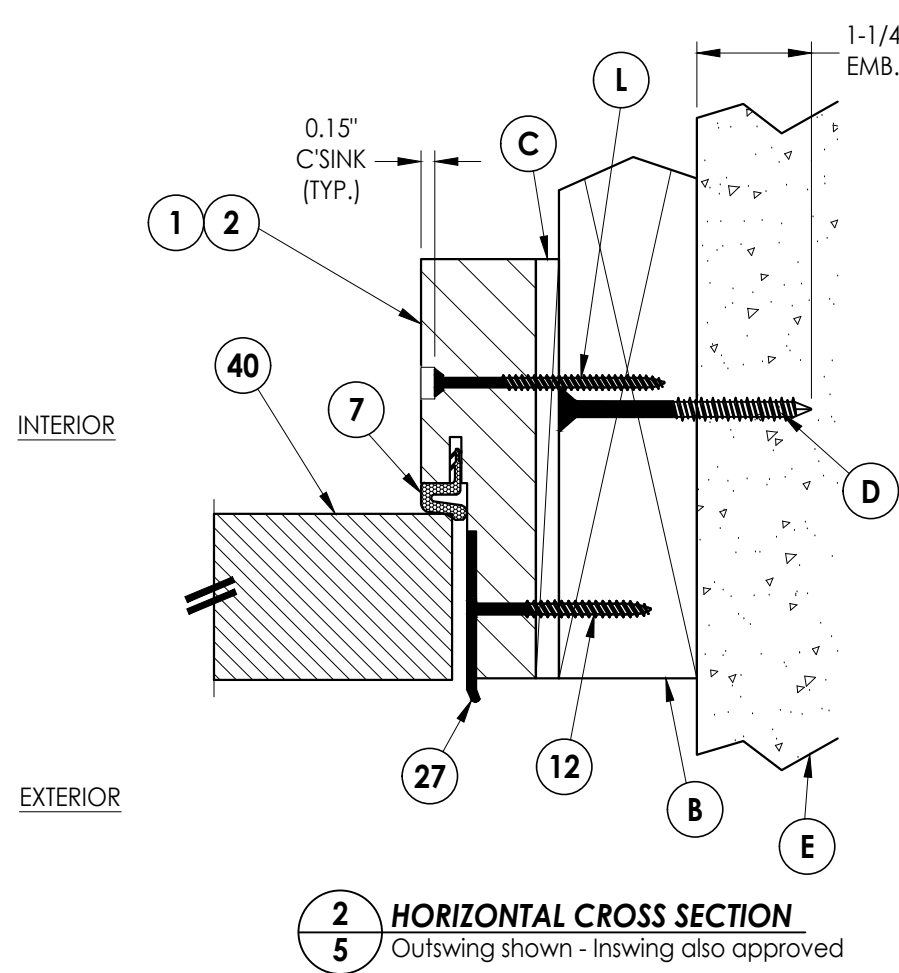
5 VERTICAL CROSS SECTION
5

NOTE:

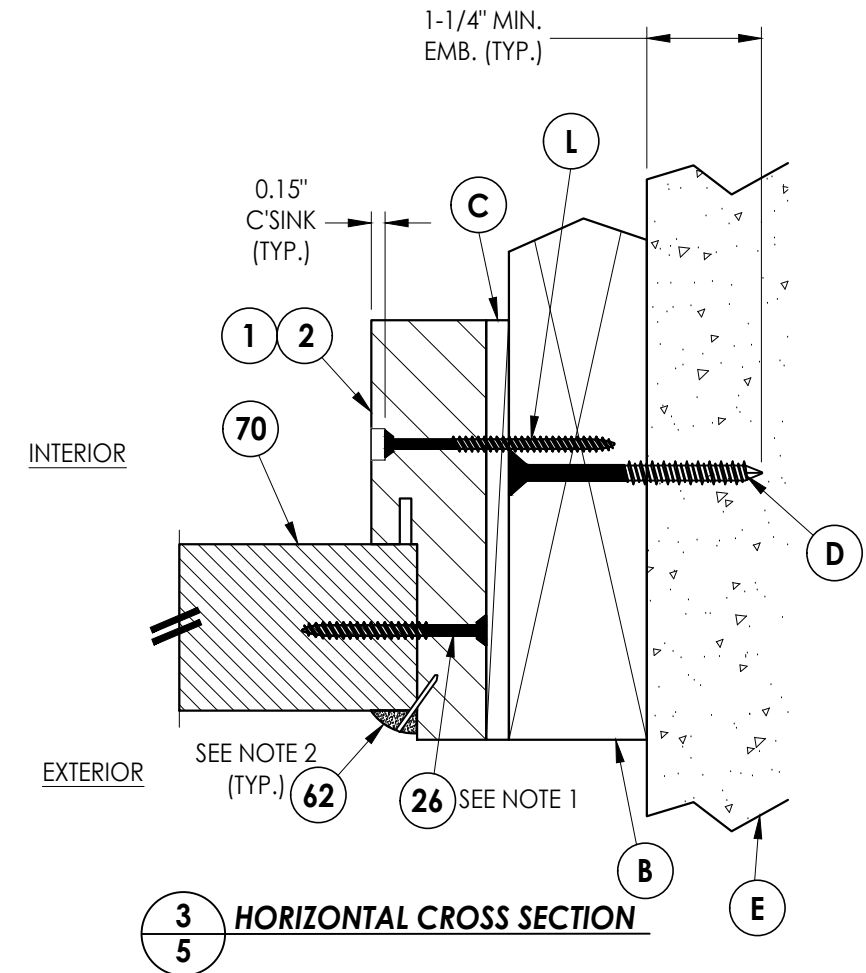
- Item #26 located 6" from each end and 3 more equally spaced (5 total).
- PVC Quarter round attached with 18 GA. brad nail 3" from each end then 8" on center thereafter.



1 HORIZONTAL CROSS SECTION
5 Outswing shown - Inswing also approved



2 HORIZONTAL CROSS SECTION
5 Outswing shown - Inswing also approved



3 HORIZONTAL CROSS SECTION
5

Documents Prepared By:
Lyndon F. Schmidt
P.E. No. 43409

RW BUILDING CONSULTANTS, INC.
P.O. Box 230, Vairico, FL 33595
Phone No.: 813.659.9197
FBPE Registry No. 9813

PRODUCT: TRINITY GLASS INT'L

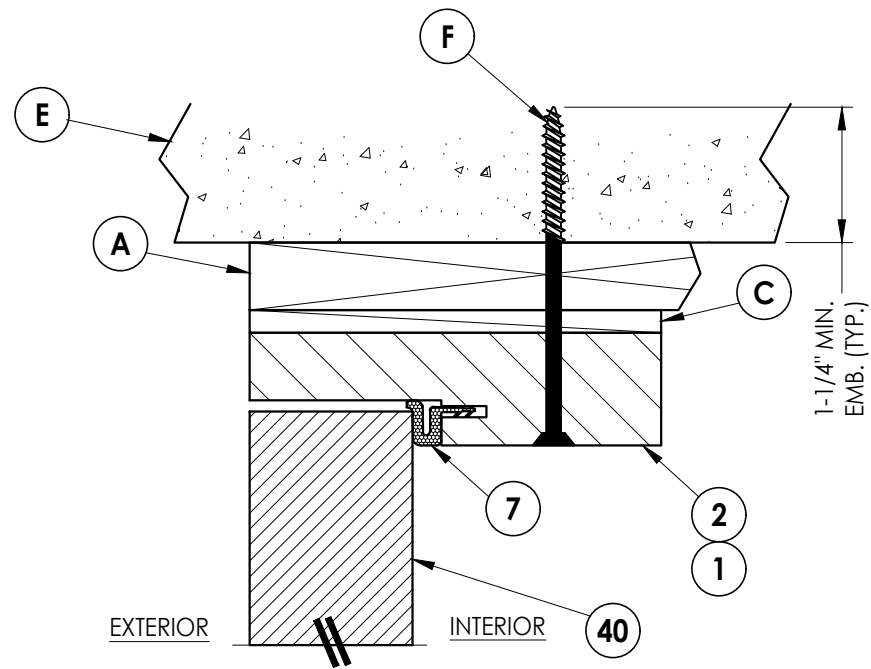
PART OR ASSEMBLY:
HORIZONTAL AND VERTICAL
CROSS SECTIONS (2X BUCK)

NO.	DATE	BY
2	8/01/23	LFS
1	8/11/20	DAC

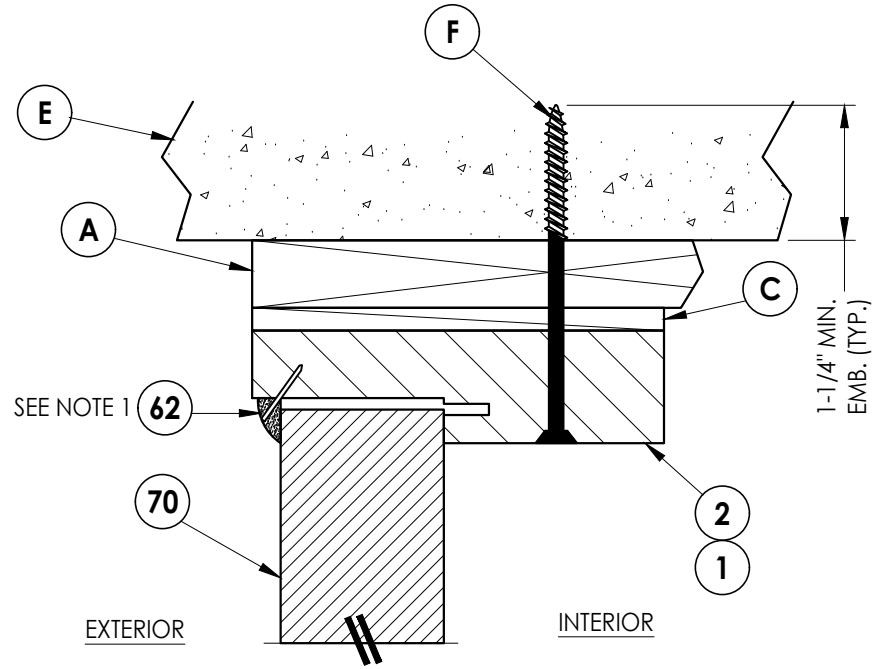
REVISIONS

DATE: 2/05/20
SCALE: N.T.S.
DWG. BY: RW
CHK. BY: LFS
DRAWING NO.: FL-25575.7
SHEET 5 OF 14

© 2020 R.W. BUILDING CONSULTANTS INC.



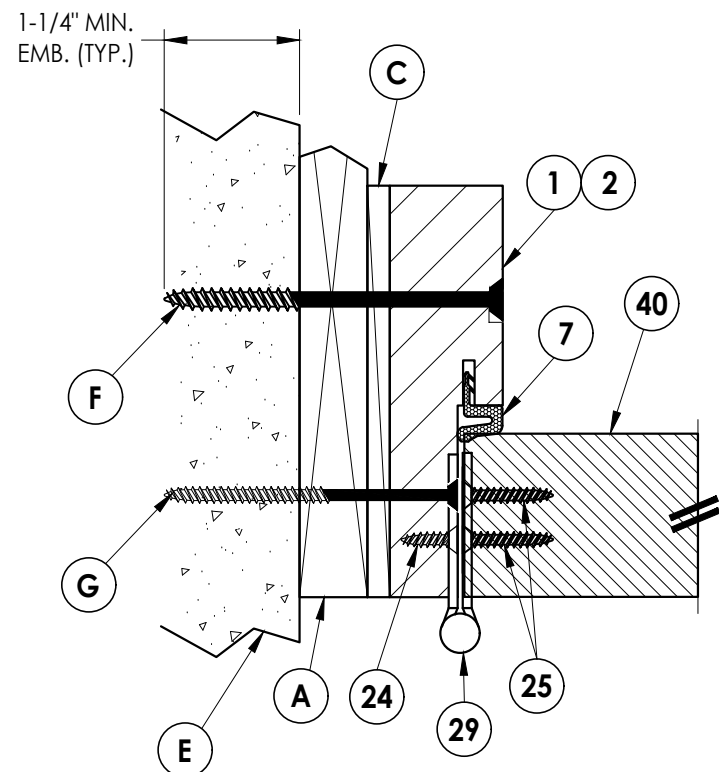
4
6 VERTICAL CROSS SECTION



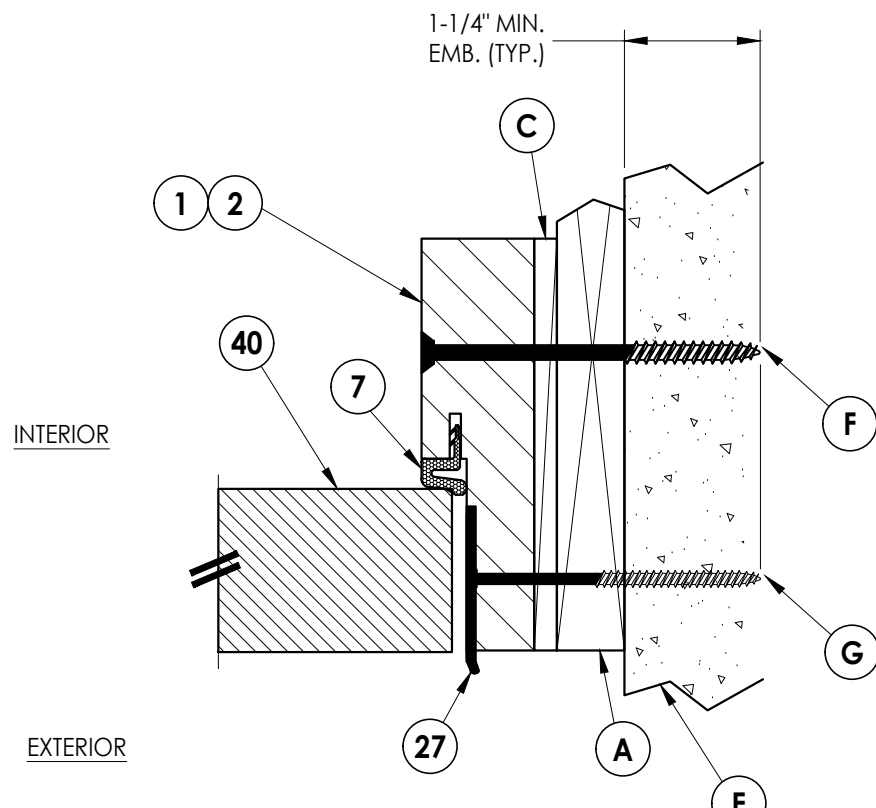
5
6 VERTICAL CROSS SECTION

NOTE:

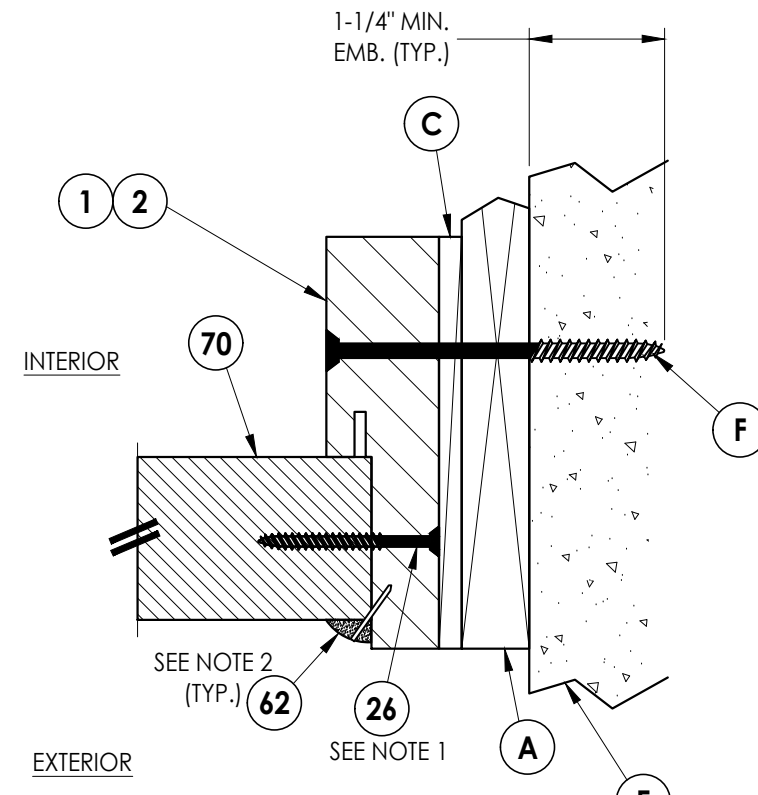
- Item #26 located 6" from each end and 3 more equally spaced (5 total).
- PVC Quarter round attached with 18 GA. brad nail 3" from each end then 8" on center thereafter.



1
6 HORIZONTAL CROSS SECTION
Outswing shown - Inswing also approved



2
6 HORIZONTAL CROSS SECTION
Outswing shown - Inswing also approved



3
6 HORIZONTAL CROSS SECTION

Documents Prepared By:
Lyndon F. Schmidt
P.E. No. 43409

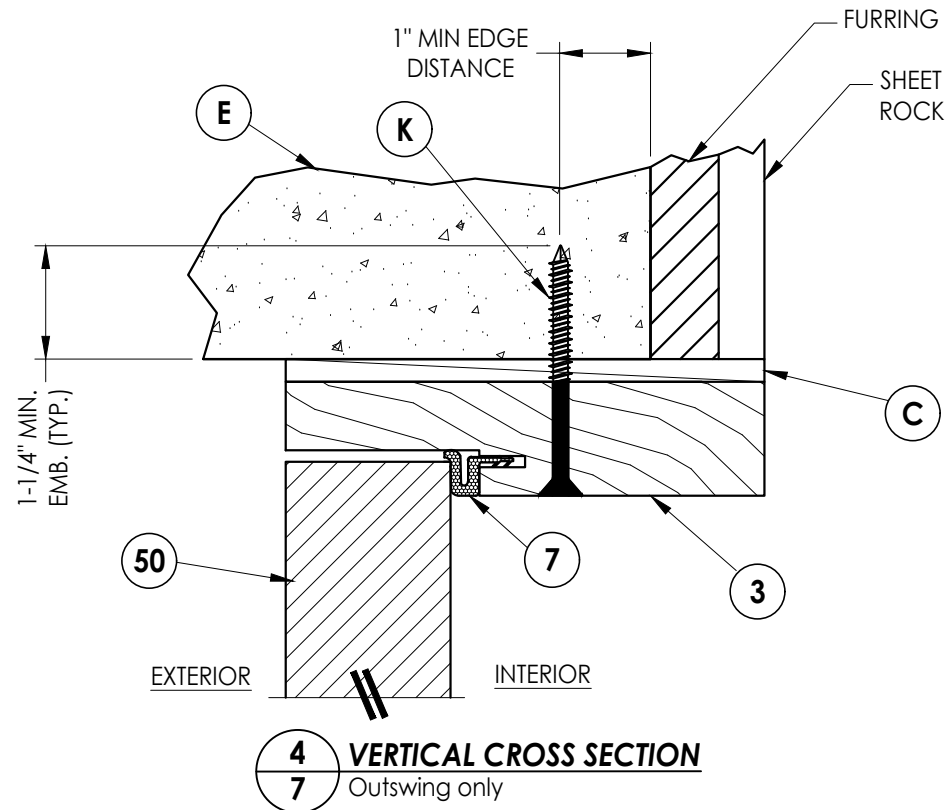
RW BUILDING CONSULTANTS, INC.
P.O. Box 230, Valrico, FL 35595
Phone No.: 813.659.9197
FBPE Registry No. 9813

PRODUCT: TRINITY GLASS INT'L

PART OR ASSEMBLY:
HORIZONTAL AND VERTICAL
CROSS SECTIONS (1X BUCK)

NO.	DATE	BY	REVISIONS
2	8/01/23	LFS	UPDATE TO 8TH ED. (2023) FBC
1	8/11/20	DAC	UPDATE TO 7th ED. (2020) FBC

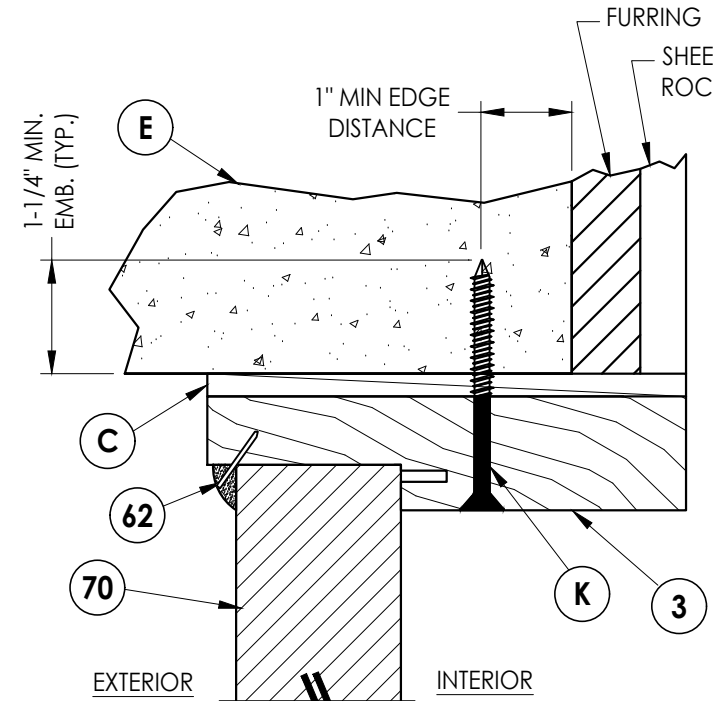
DATE: 2/05/20
SCALE: N.T.S.
DWG. BY: RW
CHK. BY: LFS
DRAWING NO.: FL-25575.7
SHEET 6 OF 14



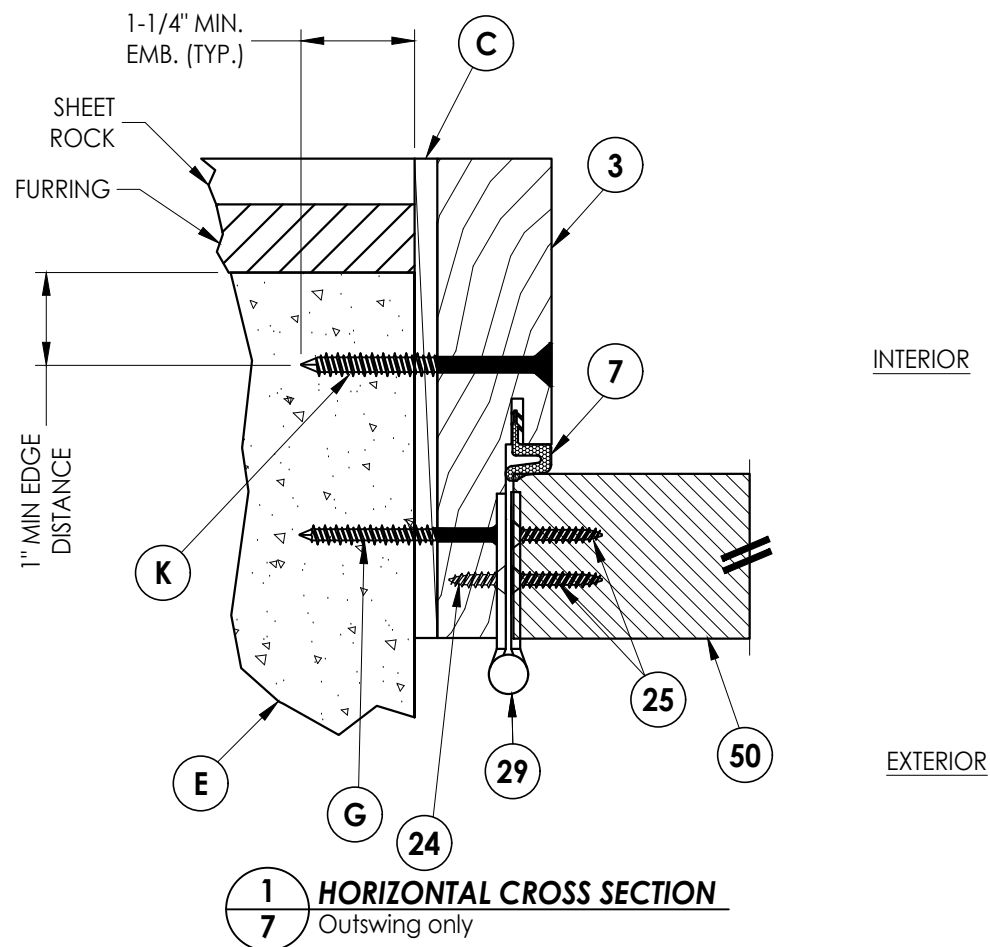
4 VERTICAL CROSS SECTION
7 Outswing only

NOTE:

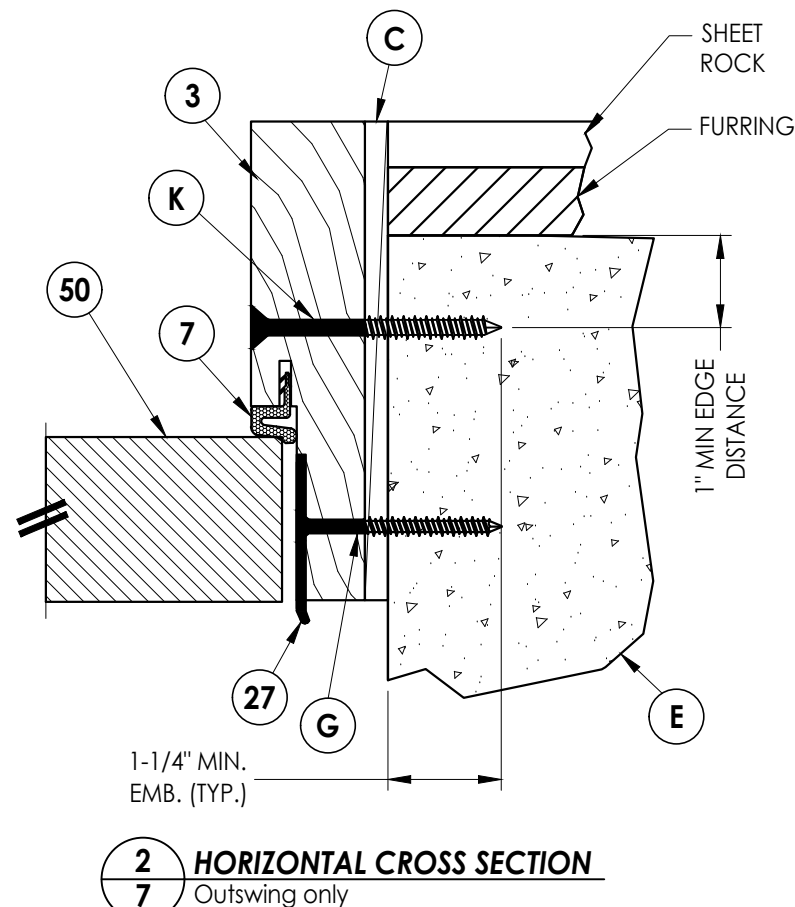
- Item #26 located 6" from each end and 3 more equally spaced (5 total).
- PVC Quarter round attached with 18 GA. brad nail 3" from each end then 8" on center thereafter.



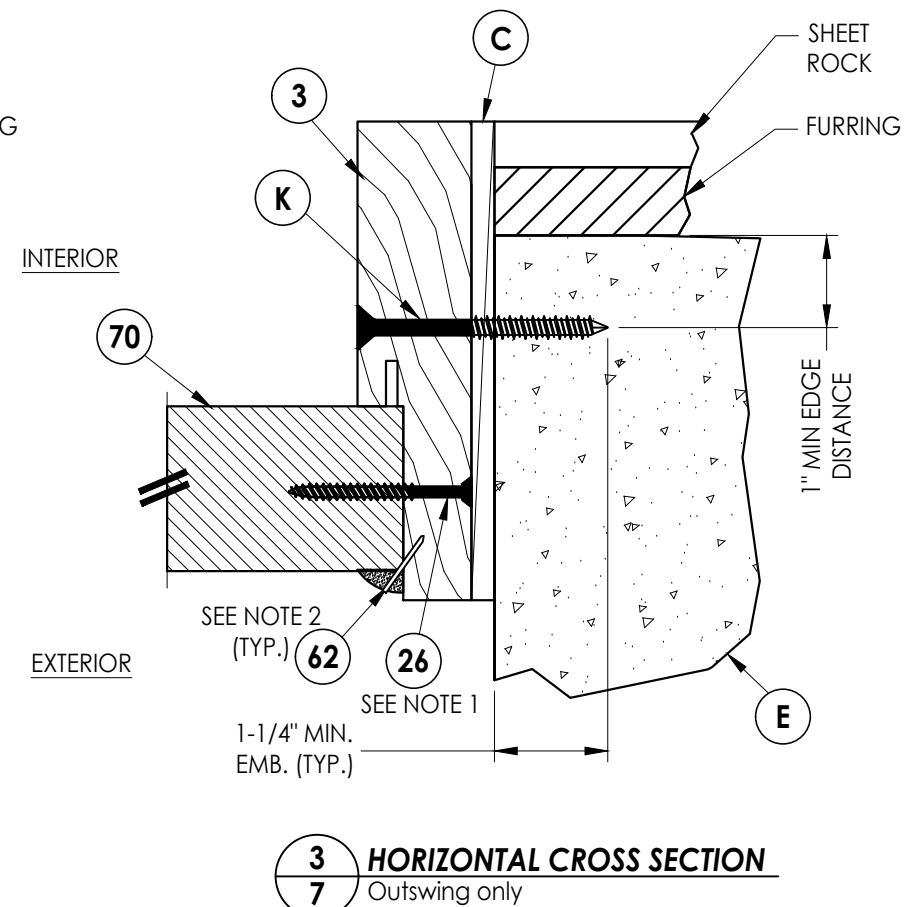
5 VERTICAL CROSS SECTION
7 Outswing only



1 HORIZONTAL CROSS SECTION
7 Outswing only



2 HORIZONTAL CROSS SECTION
7 Outswing only



3 HORIZONTAL CROSS SECTION
7 Outswing only

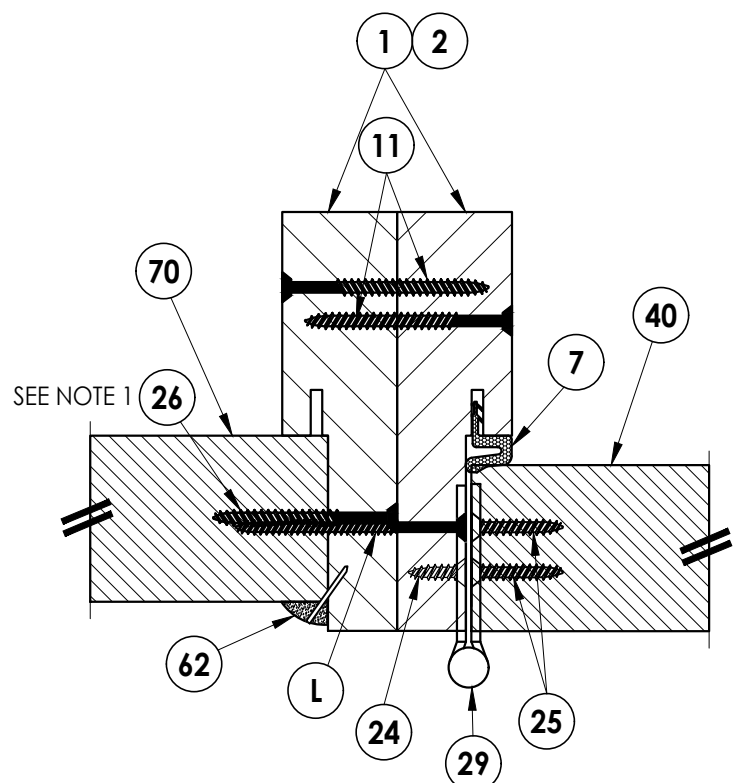
Documents Prepared By:
Lyndon F. Schmidt
P.E. No. 43409

RW BUILDING CONSULTANTS, INC.
P.O. Box 230, Vairico, FL 33595
Phone No.: 813.659.9197
FBPE Registry No. 9813

PRODUCT: TRINITY GLASS INT'L
PART OR ASSEMBLY:
HORIZONTAL AND VERTICAL CROSS SECTIONS (DIRECT TO MASONRY)

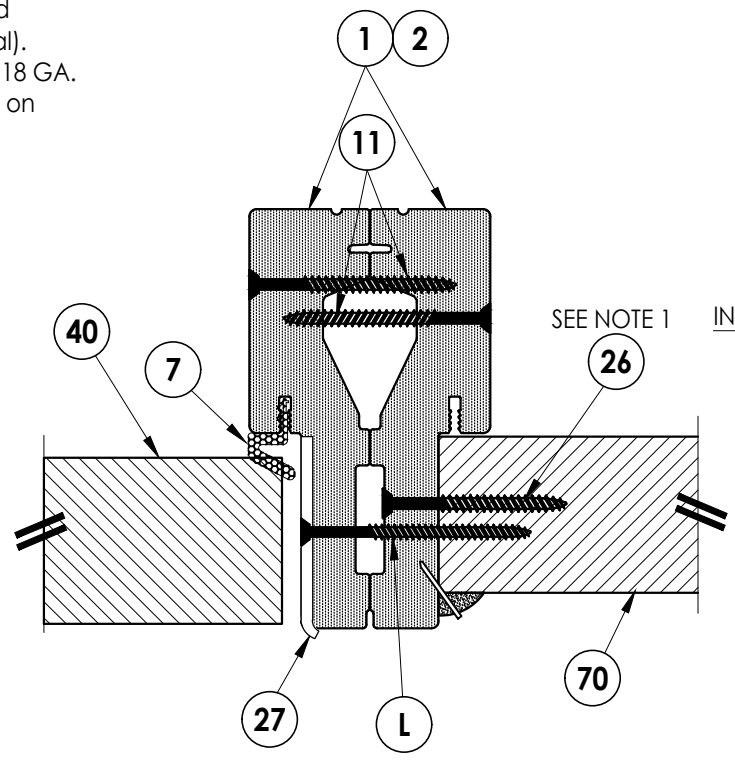
NO.	DATE	BY	REVISIONS
2	8/01/23	LFS	UPDATE TO 8TH ED. (2023) FBC
1	8/11/20	DAC	UPDATE TO 7th ED. (2020) FBC

DATE: 2/05/20
SCALE: N.T.S.
DWG. BY: RW
CHK. BY: LFS
DRAWING NO.: FL-25575.7
SHEET 7 OF 14

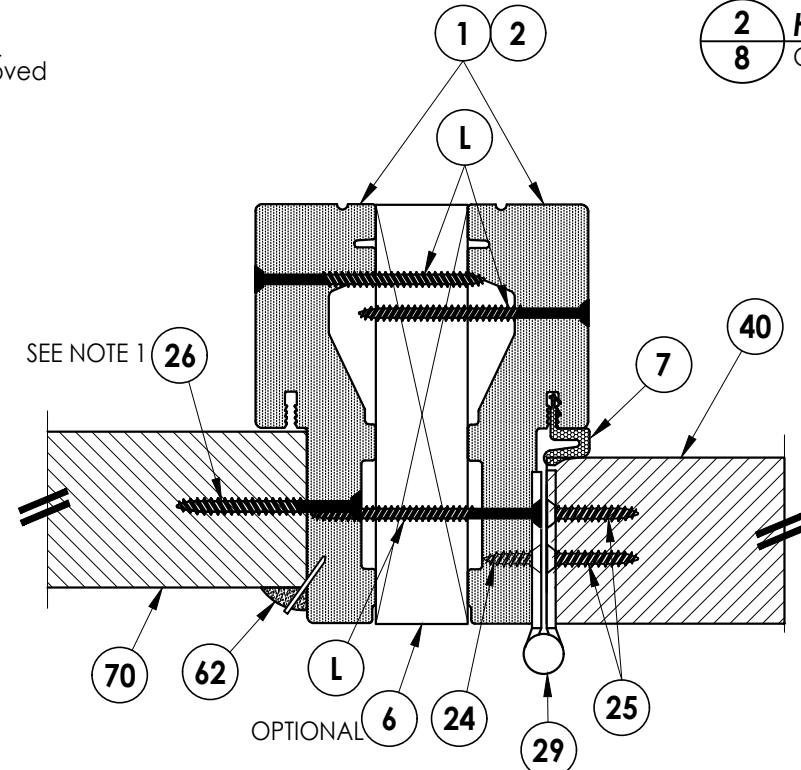


1 HORIZONTAL CROSS SECTION
8 Outswing shown - Inswing also approved

NOTE:
 1. Item #26 located 6" from each end and 3 more equally spaced (5 total).
 2. PVC Quarter round attached with 18 GA. brad nail 3" from each end then 8" on center thereafter.



2 HORIZONTAL CROSS SECTION
8 Outswing shown - Inswing also approved



3 HORIZONTAL CROSS SECTION
8 Outswing shown - Inswing also approved

Documents Prepared By:
 Lyndon F. Schmidt
 P.E. No. 43409

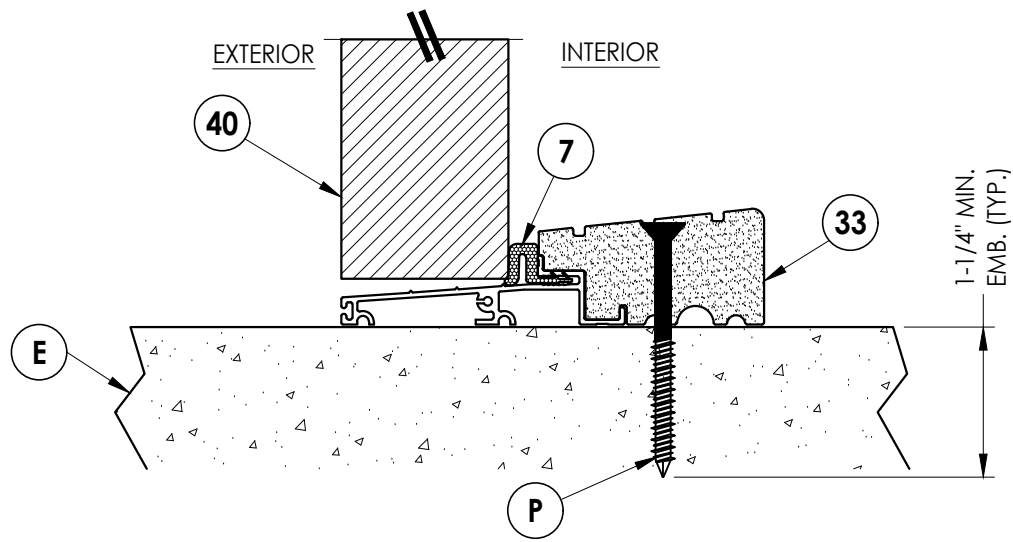
RW BUILDING CONSULTANTS, INC.
 P.O. Box 230, Valrico, FL 33595
 Phone No.: 813.659.9197
 FBPE Registry No. 9813

PRODUCT:
 TRINITY GLASS INT'L

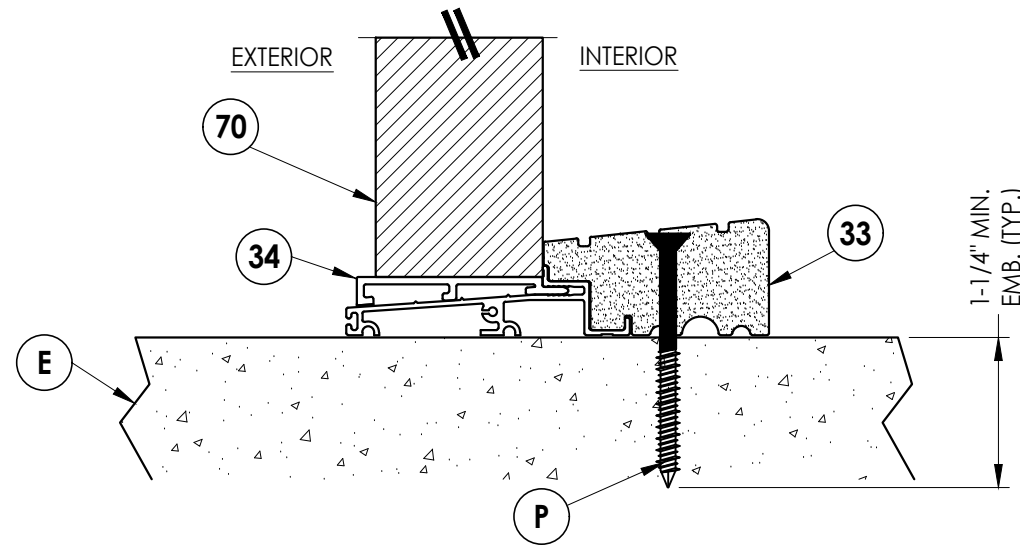
PART OR ASSEMBLY:
 HORIZONTAL CROSS SECTIONS

NO.	DATE	REVISIONS
2	8/01/23	UPDATE TO 8TH ED. (2023) FBC LFS
1	8/11/20	UPDATE TO 7th ED. (2020) FBC DAC
		BY

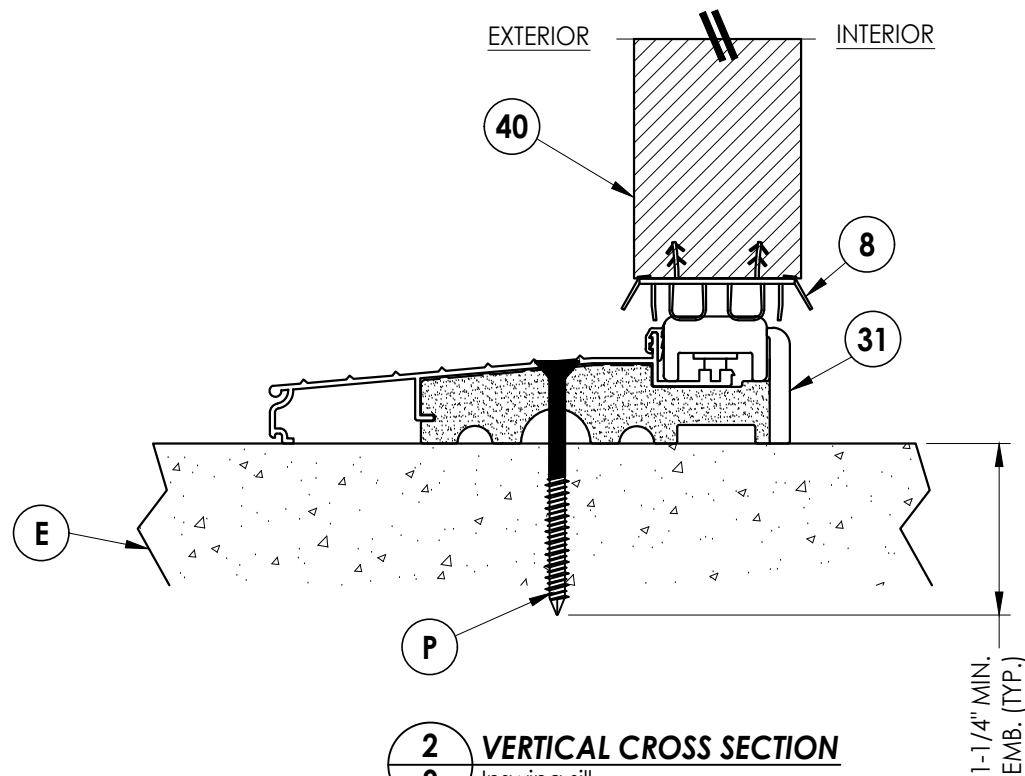
DATE: 2/05/20
 SCALE: N.T.S.
 DWG. BY: RW
 CHK. BY: LFS
 DRAWING NO.: FL-25575.7
 SHEET 8 of 14



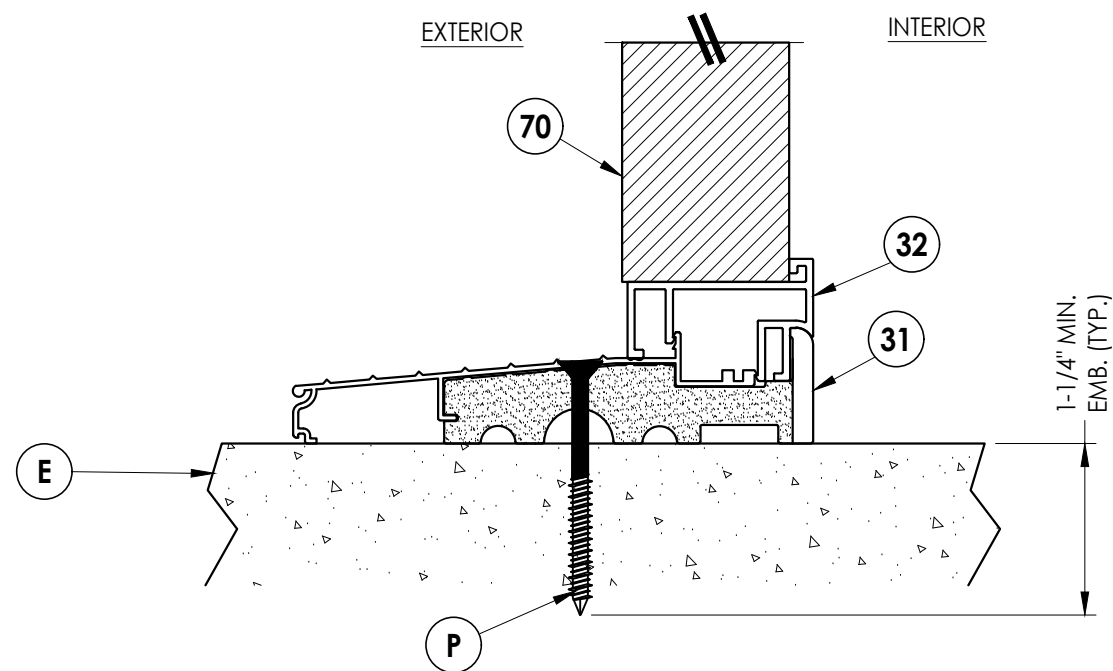
1 VERTICAL CROSS SECTION
9 Outswing sill - high dam



3 VERTICAL CROSS SECTION
9 Outswing sill - high dam



2 VERTICAL CROSS SECTION
9 Inswing sill



4 VERTICAL CROSS SECTION
9 Inswing sill

Documents Prepared By:
Lyndon F. Schmidt
P.E. No. 43409

RW BUILDING CONSULTANTS, INC.
P.O. Box 230, Valrico, FL 33595
Phone No.: 813.659.9197
FBPE Registry No. 9813

PRODUCT: TRINITY GLASS INT'L

PART OR ASSEMBLY:
VERTICAL CROSS SECTIONS

NO.	DATE	BY	REVISIONS
2	8/01/23	LFS	UPDATE TO 8TH ED. (2023) FBC
1	8/11/20	DAC	UPDATE TO 7th ED. (2020) FBC

DATE: 2/05/20

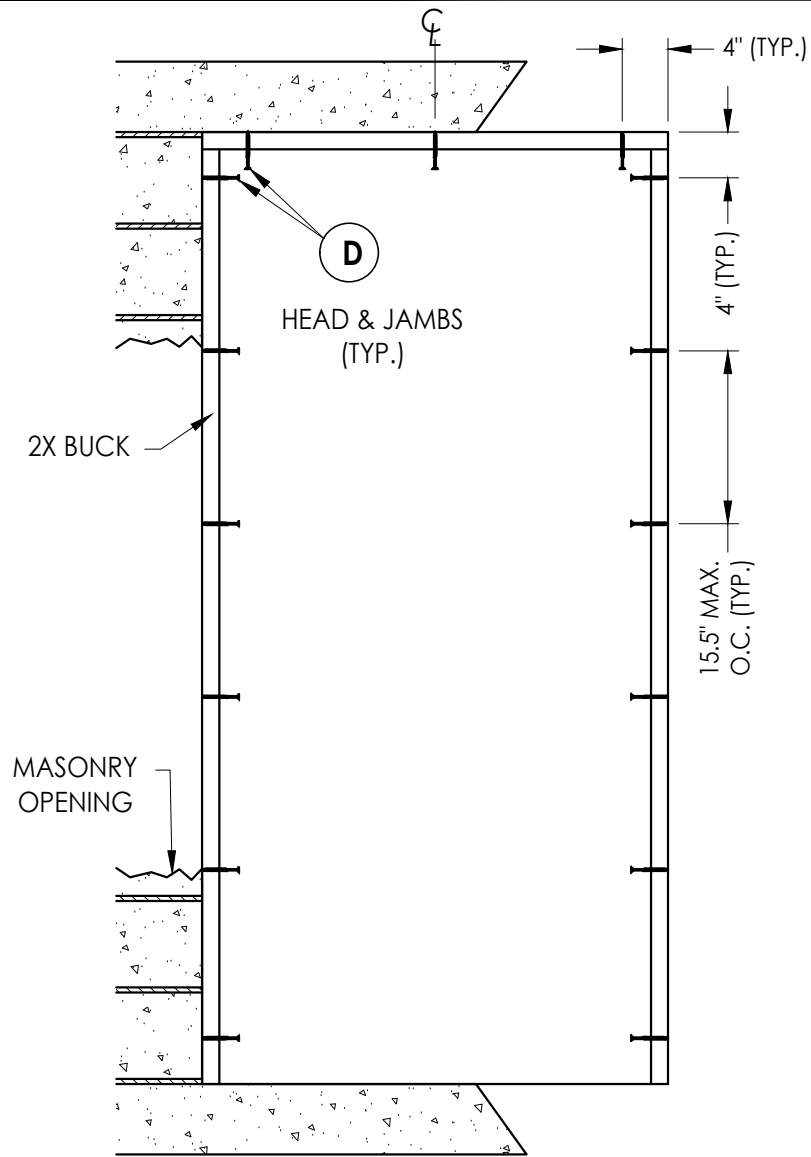
SCALE: N.T.S.

DWG. BY: RW

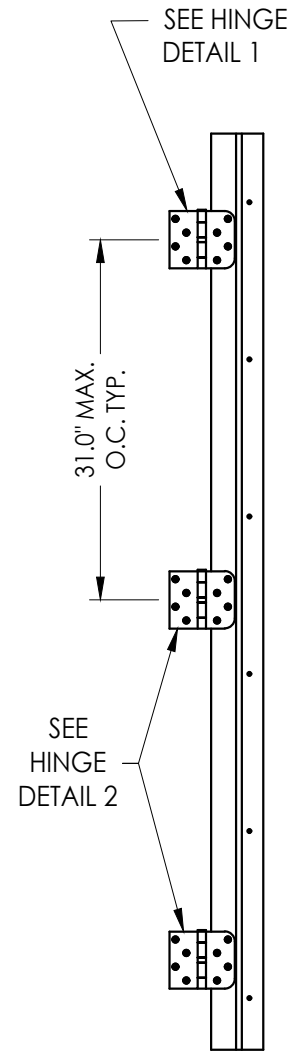
CHK. BY: LFS

DRAWING NO.: FL-25575.7

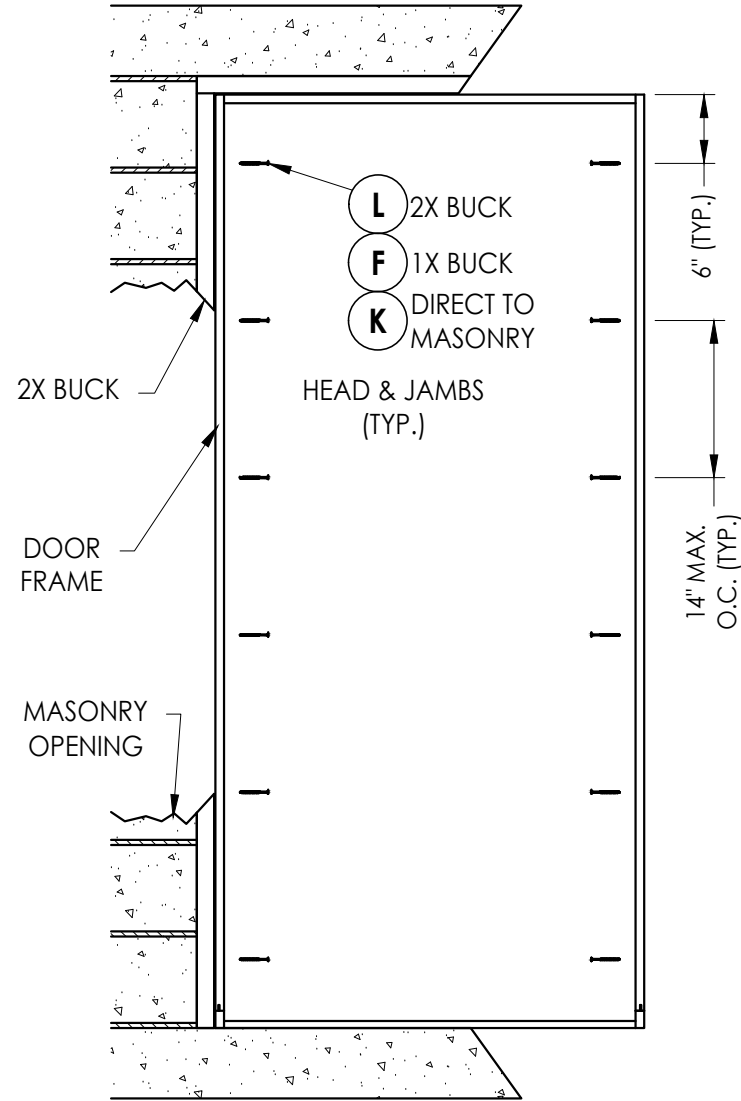
SHEET 9 OF 14



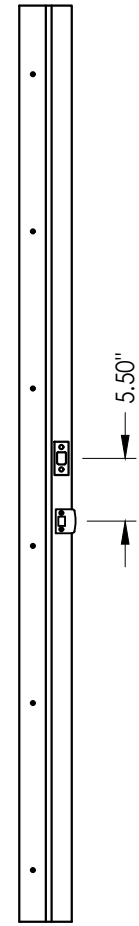
BUCK ANCHORING



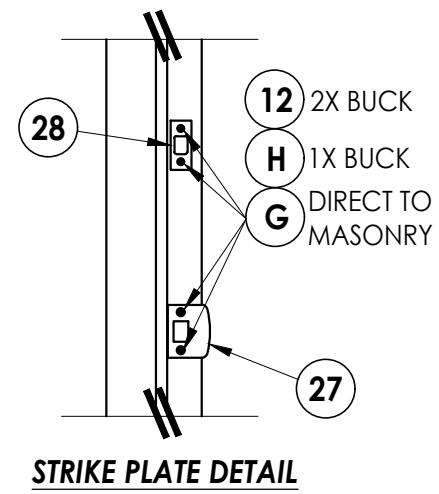
HINGE JAMB



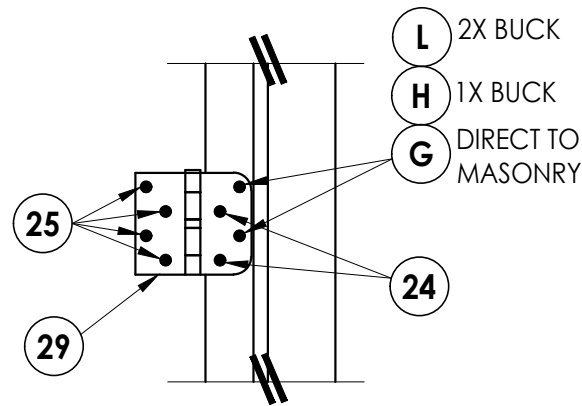
FRAME ANCHORING
Masonry construction



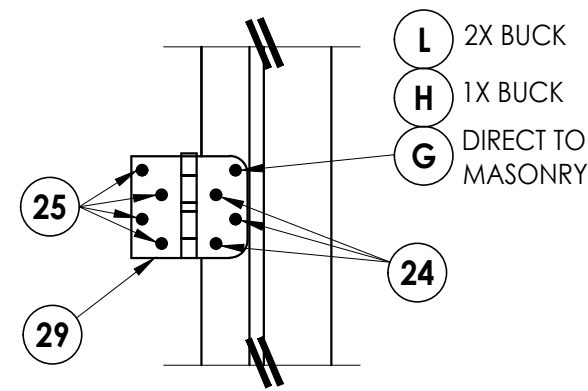
STRIKE JAMB



STRIKE PLATE DETAIL



HINGE DETAIL 1



HINGE DETAIL 2

Documents Prepared By:
Lyndon F. Schmidt
P.E. No. 43409

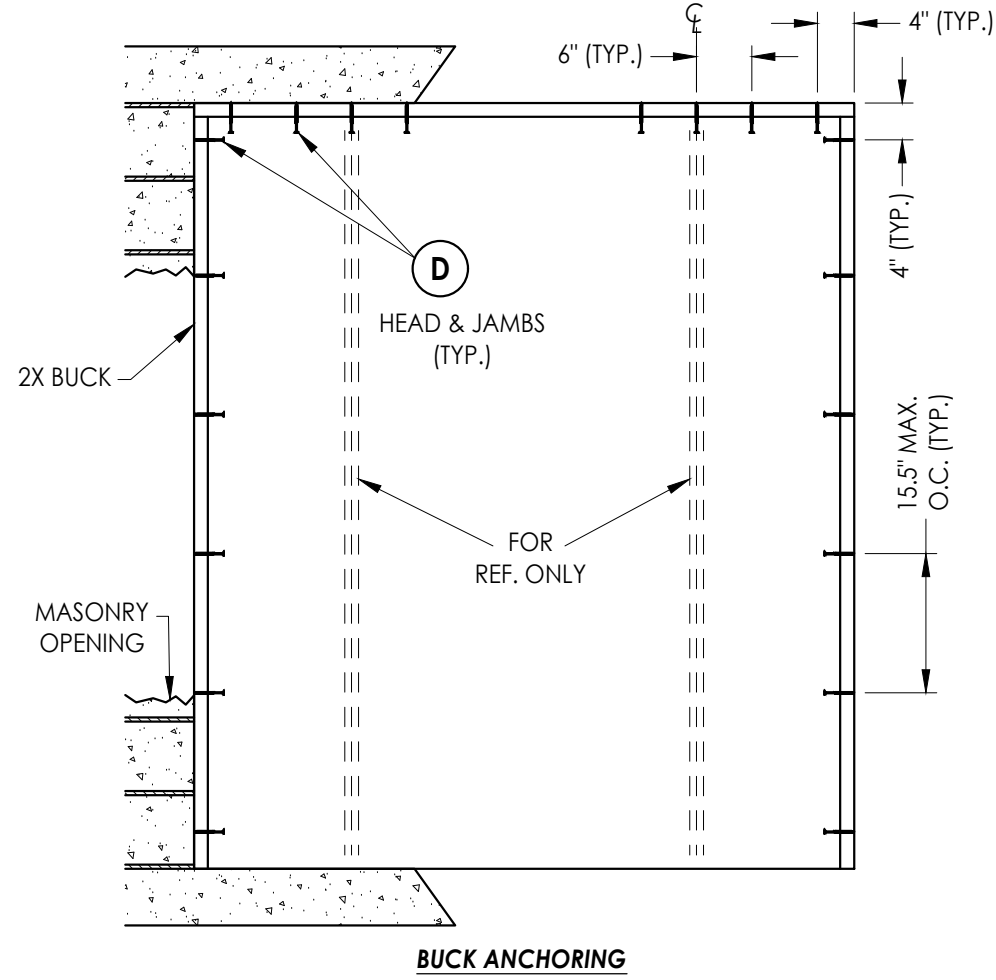
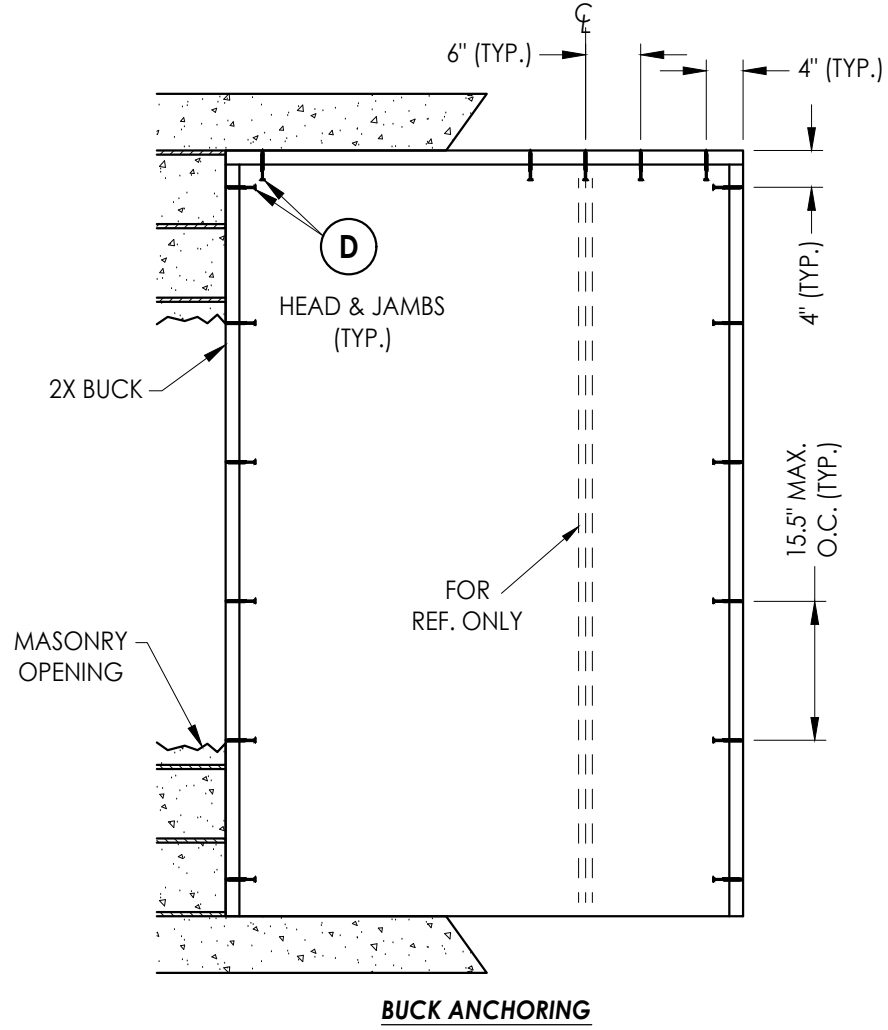
RW BUILDING CONSULTANTS, INC.
P.O. Box 230, Valrico, FL 33595
Phone No.: 813.659.9197
FBPE Registry No. 9813

PRODUCT: TRINITY GLASS INT'L

PART OR ASSEMBLY:
BUCK AND FRAME
ANCHORING (X)

NO.	DATE	BY	REVISIONS
2	8/01/23	LFS	UPDATE TO 8TH ED. (2023) FBC
1	8/11/20	DAC	UPDATE TO 7th ED. (2020) FBC

DATE: 2/05/20
SCALE: N.T.S.
DWG. BY: RW
CHK. BY: LFS
DRAWING NO.: FL-25575.7
SHEET 10 OF 14

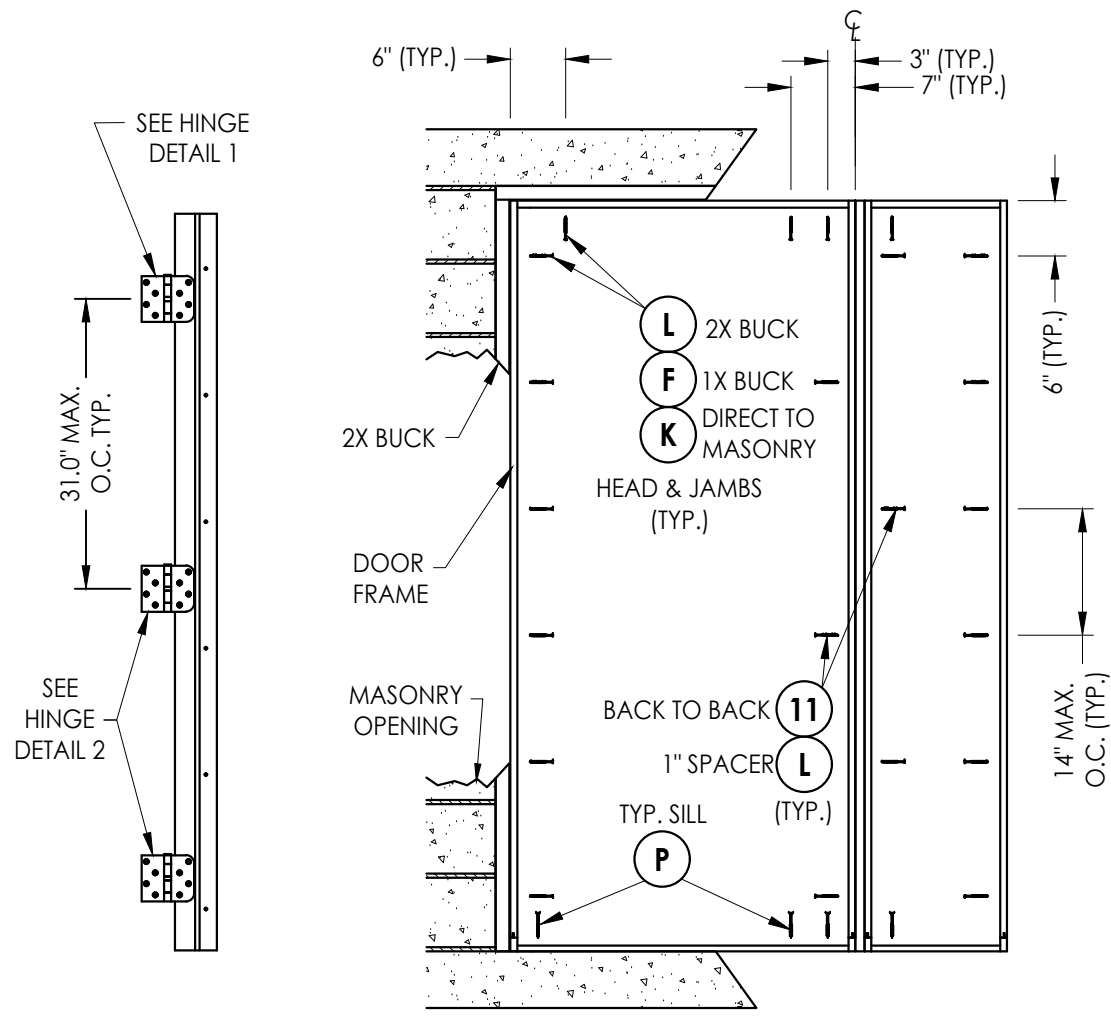


DATE: 2/05/20	
SCALE: N.T.S.	
DWG. BY:	RW
CHK. BY:	LFS
DRAWING NO.: FL-25575.7	
SHEET 11 OF 14	

PRODUCT:	TRINITY GLASS INT'L
PART OR ASSEMBLY:	BUCK ANCHORING (OX/XO & OXO)

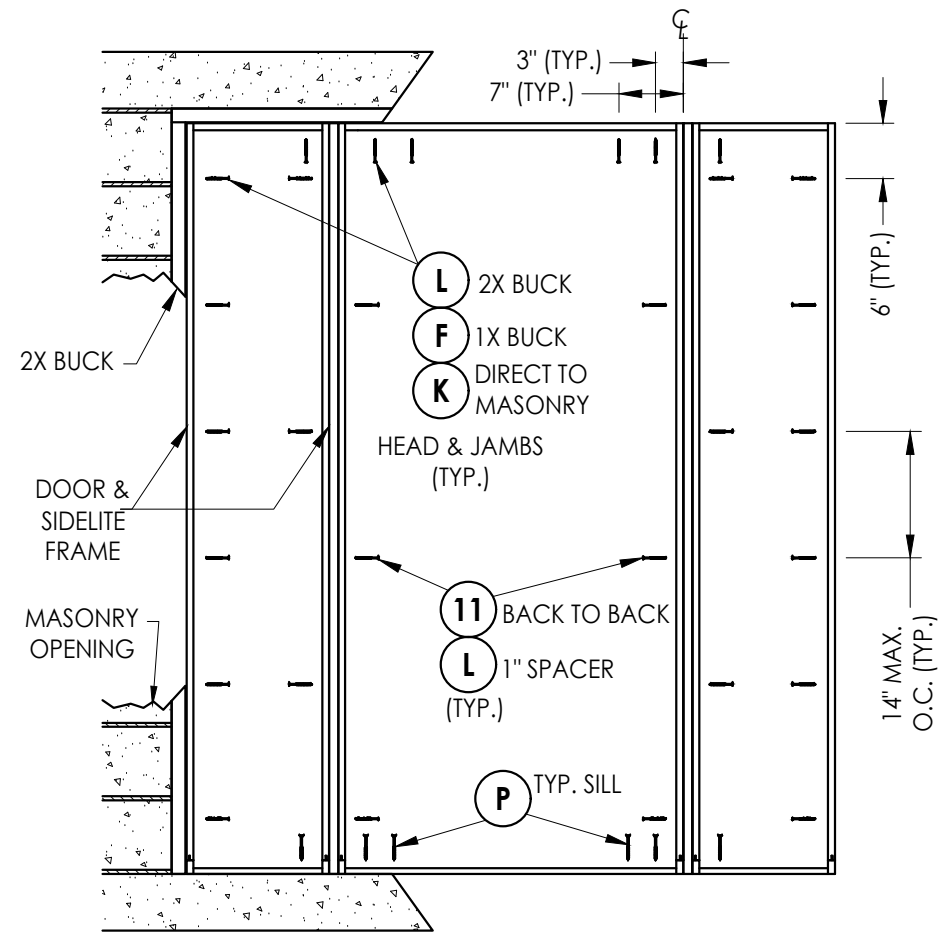
Documents Prepared By:
 Lyndon F. Schmidt
 P.E. No. 43409

RW BUILDING CONSULTANTS, INC.
 P.O. Box 230, Valrico, FL 33595
 Phone No.: 813.659.9197
 FBPE Registry No. 9813



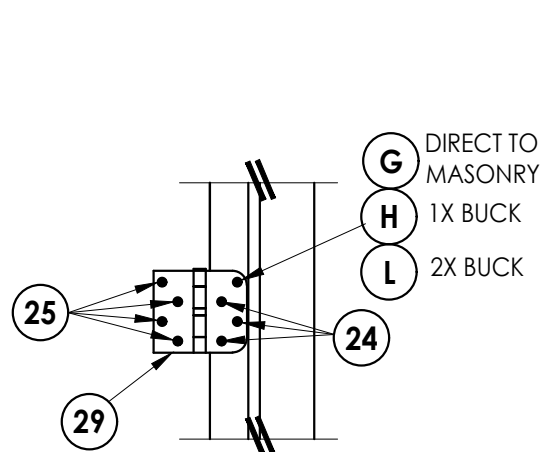
HINGE JAMB

FRAME ANCHORING
Masonry construction

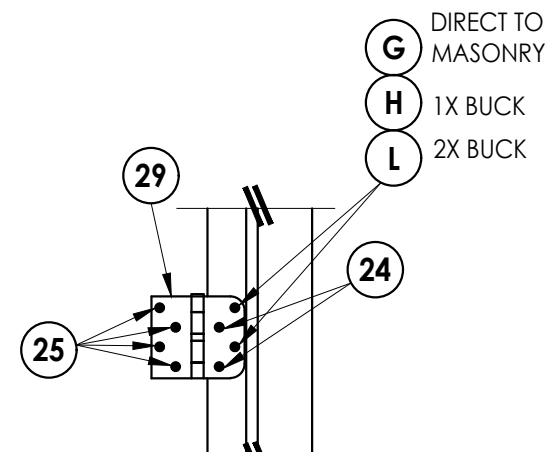


FRAME ANCHORING
Masonry construction

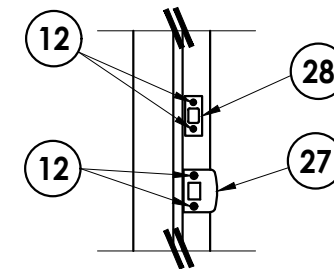
STRIKE JAMB



HINGE DETAIL 2



HINGE DETAIL 1



STRIKE PLATE DETAIL

Documents Prepared By:
Lyndon F. Schmidt
P.E. No. 43409

RW BUILDING CONSULTANTS, INC.
P.O. Box 230, Valrico, FL 33595
Phone No.: 813.659.9197
FBPE Registry No. 9813

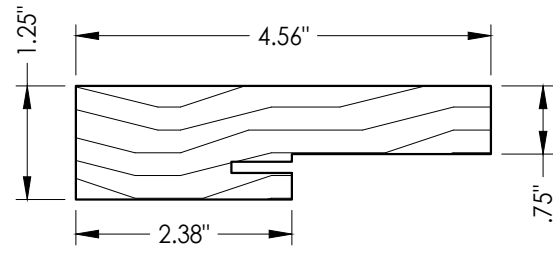
PRODUCT: TRINITY GLASS INT'L

PART OR ASSEMBLY:
FRAME ANCHORING
(OX/XO & OXO)

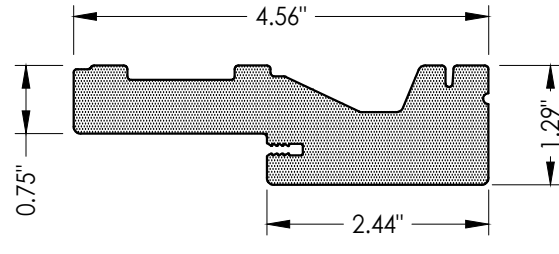
NO.	DATE	BY
2	8/01/23	LFS
1	8/11/20	DAC

DATE: 2/05/20
SCALE: N.T.S.
DWG. BY: RW
CHK. BY: LFS
DRAWING NO.: FL-25575.7
SHEET 12 OF 14

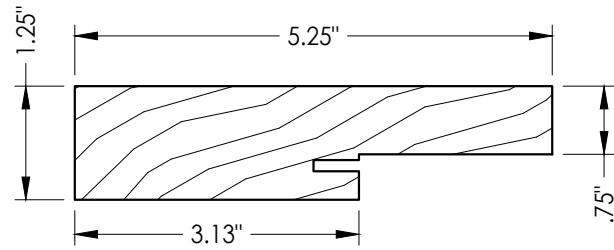
REVISIONS
© 2020 R.W. BUILDING CONSULTANTS INC.



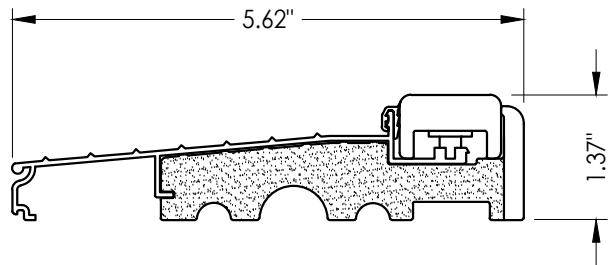
1 HEAD AND JAMBS
Wood



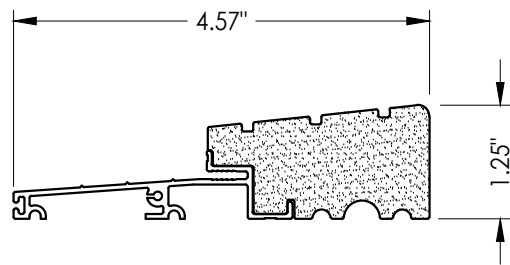
2 HEAD AND JAMBS
PVC



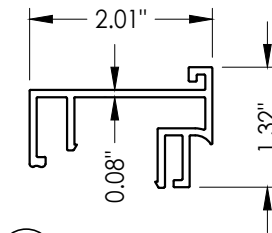
3 HEAD AND JAMBS
Wood



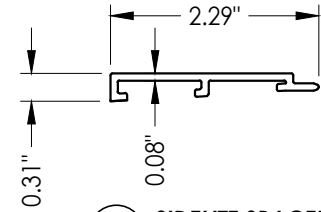
31 INSWING THRESHOLD



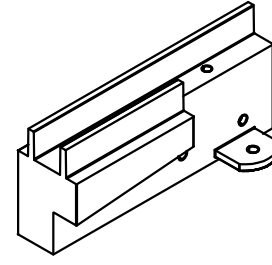
32 OUTSWING THRESHOLD
High-dam



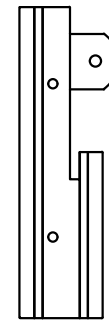
32 SIDELITE SPACER
Inswing



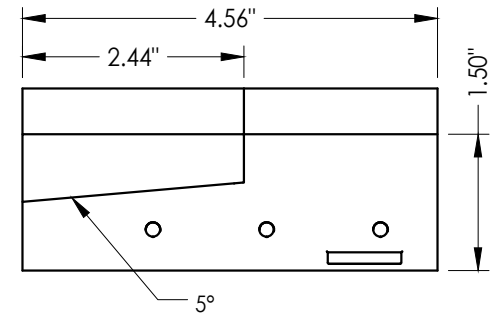
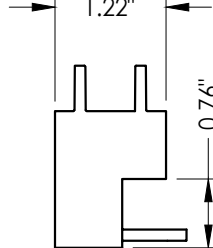
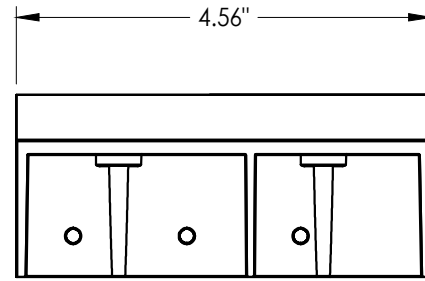
34 SIDELITE SPACER
Outswing



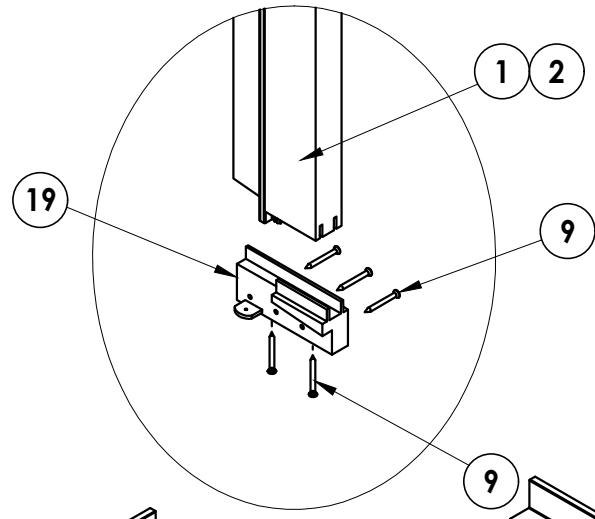
SILLKEY, LEFT
SCALE: NONE



SILLKEY, RIGHT
SCALE: NONE



19 SILLKEY DETAILS
Optional



Documents Prepared By:
Lyndon F. Schmidt
P.E. No. 43409

RW BUILDING CONSULTANTS, INC.
P.O. Box 230, Valrico, FL 33595
Phone No.: 813.659.9197
FBPE Registry No. 9813

PRODUCT:	TRINITY GLASS INT'L
PART OR ASSEMBLY:	COMPONENTS

NO.	DATE	BY	REVISIONS
2	8/01/23	LFS	UPDATE TO 8TH ED. (2023) FBC
1	8/11/20	DAC	UPDATE TO 7th ED. (2020) FBC

DATE:	2/05/20
SCALE:	N.T.S.
DWG. BY:	RW
CHK. BY:	LFS
DRAWING NO.:	FL-25575.7
SHEET	13 of 14

